

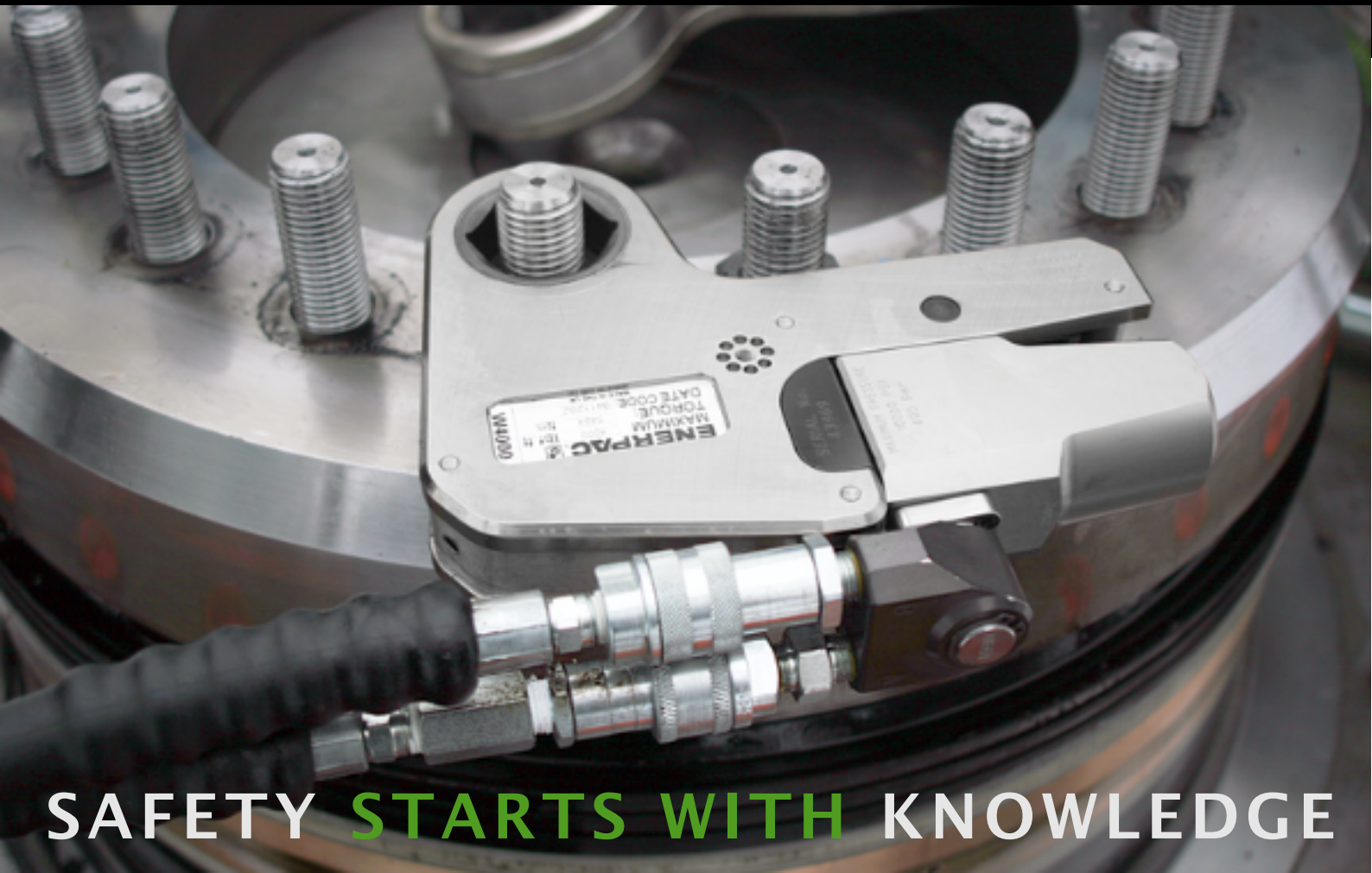
Hydraulikk as



kNm Hydraulikk AS  
Skvadronvegen 27  
4050 Sola

post@knm-hydraulikk.no  
www.knm-hydraulikk.no

# RENTAL CATALOG



SAFETY **STARTS WITH** KNOWLEDGE

# ABOUT US

kNm Hydraulikk have over 25 years experience with the design, sale and rental of tools and known for being an experienced and knowledgeable supplier of products and services within bolt tension and flange-work. Our expertly trained staff coupled with our extensive product portfolio puts us in a strong position to solve our clients bolting, flange work and hydraulic needs.

We are a certified Enerpac-Hydratight supplier and offer their torque tools, tensioner tools and standard hydraulics for both sale and rental. The products we offer are innovative and market leaders within their field.

kNm Hydraulikk put their customer first and can offer a vast array of technical support services from calibration, services and repairs.

**OUR KNOWLEDGE - YOUR SAFETY** is a slogan we stand for. We aim to build relationships that last and willing to go the extra mile to ensure client satisfaction and this is evident as the majority of our clients have been with us long term.

# WHAT WE OFFER

- HIGH LEVEL OF CUSTOMER SERVICE
- FULLY SERVICED, CALIBRATED AND CERTIFIED EQUIPMENT
- INNOVATIVE & HIGH QUALITY EQUIPMENT
- TAILORED RENTAL PACKAGES
- FLEXIBLE HIRE PERIODS
- SAME DAY DELIVERY
- LARGE RENTAL FLEET
- NO MINIMUM HIRE PERIODS
- TRAINING FROM OUR EXPERIENCED STAFF
- COURSES & TRAINING IN FLANGEWORk (NS-EN 1591-4)



## CONTENTS

|                                  |         |                              |         |
|----------------------------------|---------|------------------------------|---------|
| Torque Tools .....               | 7 - 8   | Tensioner Pumps .....        | 18      |
| Impact Sockets .....             | 9       | Industrial Cutters .....     | 19 - 21 |
| Pneumatic & Cordless Tools ..... | 10 - 11 | Flange Spreading Tools ..... | 22 - 24 |
| Torque Wrenches .....            | 11 - 13 | Cylinders .....              | 25 - 26 |
| Safety Tools .....               | 14      | Hand Pumps .....             | 27      |
| Torque Pumps- Air Driven .....   | 15      | Components – Hoses .....     | 28      |
| Torque Pumps- Electric .....     | 16      | Components – Gauges .....    | 29      |
| Tensioners .....                 | 17      | Components – Manifolds ..... | 30      |



# Our Rental Park



The rental park we have available enables us to cover several clients simultaneously. The equipment is used offshore on a daily basis and has been developed over a long period of time to withstand the harsh environment that we have on the Norwegian Continental Shelf.

We have a large selection of tools in our rental park that facilitate work with the assembly, disassembly and maintenance of flanges and bolts. For assembly work and maintenance of flanges, we offer the Enerpac Equalizer range of mechanical and hydraulic flange spreaders and flange adjustment tools. When it comes to subsea bolting and tensioning, it is very important that the equipment being used is easy to operate by divers. Through our partner Enerpac Hydratight we offer most dimensions within subsea tensioning equipment for rental.

kNm Hydraulikk has developed a number of products within HSE that can be made available for rental. When using hydraulic torque wrenches, falling objects and injuries are the greatest potential dangers within the field. In our rental park, we offer equipment for various HSE needs, such as safety wrenches and equipment for bolt tightening, preventing dangers such as falling objects and crush injuries. We also offer manually calibrated torque wrenches for rental for smaller bolt dimensions.

# Why Rent Tools?

## Tight project **timeline** & budget

When budget and project schedule is tight, it is often easier and faster to approve a weekly or monthly tool rental expense within a operating budget.

## Asset management **burden**?

The ability to store, repair, insure and manage inventory is not an option for all companies. Many businesses prefer kNm Hydraulikk to carry the burden of owning assets

## Rare & **specialized** tools?

Determining whether the tools can be used again in the future (and how often) has a significant impact on the financial comparison. For instance, the hydraulic cylinders and torque wrenches may not fit the next application making rental the better option for those

| Considerations                   | Rent | Buy |
|----------------------------------|------|-----|
| Tight project timeline & budget  | ✓    |     |
| Initial investment cost          | ✓    |     |
| Asset management burden          | ✓    |     |
| Access to rare specialized tools | ✓    |     |
| Well-maintained equipment        | ✓    | ✓   |
| Ready access when needed         | ✓    | ✓   |

# Low Profile Torque Wrench - W

Low Profile Torque Wrenches in the W-series from Enerpac have a superior strength to size ratio and provide easy access to difficult to reach applications without sacrificing endurance.

The X-Edition drive units, cassettes and most accessories are compatible with standard edition tools. These wrenches are ATEX-certified and have been developed with a tough manifold design with added safety feature for enhanced operator safety.



| Model    | Min. Nm | Max. Nm | Weight* | Hex Range "      | Hex Range mm |
|----------|---------|---------|---------|------------------|--------------|
| W2000PX  | 276     | 2766    | 1,4 kg  | 1 1/16" - 2 3/8" | 30- 60 mm    |
| W4000PX  | 566     | 5661    | 2,0 kg  | 1 15/16"-3 3/8"  | 36-85 mm     |
| W8000PX  | 1148    | 11 484  | 3,0 kg  | 1 7/8" - 4 1/8"  | 50- 105 mm   |
| W15000PX | 2078    | 20 785  | 5,0 kg  | 2 7/16" - 4 5/8" | 65- 115 mm   |
| W22000X  | 3050    | 30 506  | 7,7 kg  | 2 15/16"- 5 3/8" | 75- 135 mm   |
| W35000X  | 4745    | 47 454  | 11,4 kg | 3 1/8"-6 1/8"    | 80- 155 mm   |

\*Weight without hexagon cassette

# Square Drive Torque Wrench - S

Torque Wrenches in the S-series have a compact, high-strength uni-body construction that provides small operating radius without sacrificing the endurance of the tool. They have been developed with a 360° click-on reaction arm with quick release lever that provides easier handling, even when wearing gloves



| Model   | Min. Nm | Max. Nm | Weight  | Square Drive |
|---------|---------|---------|---------|--------------|
| S1500X  | 195     | 1952    | 3,2 kg  | 3/4          |
| S3000X  | 438     | 4373    | 5,6 kg  | 1            |
| S6000X  | 834     | 7484    | 9,2 kg  | 1 1/2        |
| S11000X | 1516    | 15 151  | 15,8 kg | 1 1/2        |
| S25000X | 3545    | 35 455  | 32,2 kg | 2 1/2        |

# Low Profile Torque Wrench - RTX

Low profile torque wrenches in the RTX-series from Atlas Copco combine high power-to-weight ratio, durability and hands-free operation. The result is a tool that is perfectly suited for low clearance applications that require high torque.

Use the RTX torque wrenches with standard set up or customize with accessories.



# Square Drive Torque Wrench - RT

The RT Square Drive tool is robust, powerful and accurate. Perfectly suited for low clearance applications that require high torque. The splined square drive distributes load evenly through the drive components, providing full heavy-duty transmission of force.



| Model  | Min. Nm | Max. Nm | Weight  | Hex Range "     | Hex Range mm |
|--------|---------|---------|---------|-----------------|--------------|
| RTX-2  | 348     | 2318    | 2 kg    | 3/4" - 2 3/4"   | 19- 65 mm    |
| RTX-4  | 784     | 5227    | 4,4 kg  | 1" - 3 1/8"     | 25- 85 mm    |
| RTX-8  | 1658    | 11 051  | 9 kg    | 1 5/8" - 4 1/8" | 46- 105 mm   |
| RTX-14 | 2725    | 18 168  | 15 kg   | 2 1/2" - 5 3/8" | 60- 135 mm   |
| RTX-18 | 3879    | 24 191  | 23 kg   | 3 1/2" - 5 1/2" | 75- 140 mm   |
| RTX-30 | 6467    | 43 114  | 35,5 kg | 3 1/2" - 6 1/2" | 90- 165 mm   |

| Model | Min. Nm | Max. Nm | Weight  | Square Drive |
|-------|---------|---------|---------|--------------|
| RT-05 | 75      | 538     | 0,4 kg  | 1/2"         |
| RT-01 | 271     | 1817    | 1,9 kg  | 3/4"         |
| RT-03 | 651     | 4379    | 3,9 kg  | 1"           |
| RT-05 | 1132    | 7578    | 7,5 kg  | 1 1/2"       |
| RT-08 | 1627    | 10 845  | 11,5 kg | 1 1/2"       |
| RT-10 | 2379    | 15 617  | 13,4 kg | 1 1/2"       |

# Impact Sockets



| Drive Size | ½"            | ¾"            | 1"            | 1 ½"          | 2 ½"         |
|------------|---------------|---------------|---------------|---------------|--------------|
| Size Range | 10- 32 mm     | 17- 41 mm     | 22- 46 mm     | 46- 120 mm    | 75- 160 mm   |
| Type       | Regular /Long | Regular /Long | Regular /Long | Regular /Long | Regular/Long |

Impact sockets are available in metric or imperial sizes



# Pneumatic Torque Wrench - PTW

Enerpac Pneumatic torque wrenches are tough and reliable tools that are designed to provide fast, safe, and simple fastening for applications that require controlled bolting solutions.

The pneumatic torque wrenches are robust enough to withstand tough job site conditions, and are ideal for applications with a high volume of fastenings.



| Model    | Min. Nm | Nominal Nm | Weight  | Square Drive " | Speed (RPM) |
|----------|---------|------------|---------|----------------|-------------|
| PTW1000C | 407     | 1356       | 8,2 kg  | 1              | 12,6        |
| PTW2000C | 678     | 2712       | 8,8 kg  | 1              | 8,0         |
| PTW3000C | 1220    | 4067       | 10,4 kg | 1              | 3,1         |
| PTW6000C | 1763    | 8135       | 17,7 kg | 1 1/2          | 2,5         |

# Cordless Screwdriver - LDA/LAW

Gedore LDA/LAW Solution cordless screwdrivers are made from lightweight high-performance aluminum, scores points with reliable documentation software, clear color display, low weight and maximum performance.

For maximum precision, the LDA/LAW Solution offers an optical zero-defect strategy: a sun-light-readable, digital color display visually represents the entire work process.



| Model  | Min. Nm | Max. Nm | Weight | Ø D (mm) | H (mm) |
|--------|---------|---------|--------|----------|--------|
| LDA-22 | 300     | 2200    | 5,6 kg | 90       | 321    |
| LDA-32 | 400     | 3200    | 6,1 kg | 88       | 344    |
| LDA-40 | 500     | 4000    | 6,1 kg | 88       | 344    |
| LDA-60 | 700     | 6000    | 7,8 kg | 102      | 359    |

# Cordless Torque Wrench - B-RAD

B-RAD offers higher speed and longer battery life while incorporating a new torque display with buttons. The B-RAD is especially suitable for pre-torque and service jobs where electricity or compressed air are not available.



| Model      | Min. Nm | Max. Nm | Weight | Drive Size " | Speed (RPM) |
|------------|---------|---------|--------|--------------|-------------|
| B-RAD 1400 | 270     | 1400    | 3,5 KG | 0,75"        | 10,5        |
| B-RAD 2000 | 400     | 2000    | 4,0 KG | 1"           | 6,0         |
| B-RAD 4000 | 800     | 4000    | 6,0 KG | 1"           | 3,0         |
| B-RAD 7000 | 1350    | 7000    | 8,8 KG | 1.5"         | 2,1         |

# Torque Wrench - Torcofix

Robust torque wrench with square drive and integrated ratchet-head function for controlled bi-directional tightening. Torcofix K torque wrenches offers controlled screw tightening in the most widely used range of 1- 850 Nm.



| Drive Size" | Nm       | Scale Ring | Weight   |
|-------------|----------|------------|----------|
| 1/4         | 1-5      | 0,025 Nm   | 0,323 KG |
| 1/4         | 5- 25    | 0,1 Nm     | 0,450 KG |
| 3/8         | 10 - 50  | 0,25 Nm    | 0,540 KG |
| 1/2         | 20 - 100 | 0,5 Nm     | 0,900 KG |
| 1/2         | 40- 200  | 1 Nm       | 1,1 KG   |
| 1/2         | 60- 300  | 1 Nm       | 1,3 KG   |
| 3/4         | 80 - 400 | 1 Nm       | 1,86 KG  |
| 3/4         | 110- 550 | 1 Nm       | 3,56 KG  |
| 3/4         | 150- 750 | 1 Nm       | 4,5 KG   |
| 3/4         | 250- 850 | 1 Nm       | 4,7 KG   |



# Torque Wrench - Dremaster

Dremaster® AM torque wrenches are lightweight and sturdy, very workshop-friendly with maximum precision even when subjected to extreme continuous use.

Most Dremometer models have separate ratchet heads, making it possible to work with or without the ratchet head function as desired.



| Code    | Drive Size" | No     | Nm       |
|---------|-------------|--------|----------|
| 2641232 | 1/2         | DMK100 | 20- 100  |
| 2641240 | 1/2         | DMK200 | 40- 200  |
| 2641259 | 1/2         | DMK300 | 60- 300  |
| 2641267 | 3/4         | DMK400 | 80- 400  |
| 2641275 | 3/4         | DMK550 | 110- 550 |
| 2641283 | 3/4         | DMK750 | 150- 750 |
| 2641291 | 3/4         | DMK850 | 250- 850 |

# Torque Wrench - Dremometer

Dremometer Z / SE torque wrenches from Gedore have a square drive and an integrated ratchet for extra control. Torque wrenches in the Z/SE-series have been developed with a replaceable head and a "push-button" release.

Dremometer Z and SE torque wrenches make a clicking sound when the desired torque is reached.



| Type | Nm         | Drive Size" | Code    |
|------|------------|-------------|---------|
| AM   | 6- 30      | 1/4         | 7775440 |
| A    | 8-40       | 3/8         | 7682000 |
| B    | 25- 120    | 1/2         | 7683320 |
| BC   | 40 - 200   | 1/2         | 7685530 |
| C    | 60- 300    | 1/2         | 7685450 |
| CD   | 80- 360    | 3/4         | 7688470 |
| DS   | 110- 550   | 3/4         | 1427516 |
| D    | 155- 760   | 3/4         | 7691500 |
| DX   | 520- 1000  | 3/4         | 7674010 |
| EK   | 600- 1500  | 1           | 2311267 |
| E    | 750- 2000  | 1           | 7695250 |
| F    | 1500- 3000 | 1 1/2       | 7717160 |

# Torque Wrench - Stahlwille

Stahlwille Torque Wrenches are relentlessly tested, resulting in durability, strength, and longevity. These torque wrenches are used extensively in the aerospace, energy, and transport industries.

Stahlwille torque tools are designed for error-free selection of settings. They feature vibrant colour coding on the scale to easily differentiate between foot pounds and newton meters in bright sunlight or when covered by work debris.



| Model     | Nm          |
|-----------|-------------|
| 71/80     | 160- 800 N  |
| 730 Quick | 80- 40 Nm   |
| 730/80    | 160- 800 Nm |
| 721 Quick | 30- 150     |
| 721 Quick | 40- 200     |
| 721Nf     | 200- 1000   |
| 730N      | 4- 20       |
| 730 Fix   | 10- 50      |
| 701/2     | 1- 20       |
| 730D      | 10- 100     |
| 712R/6    | 3- 60       |



# Safety Tools - kNm Hydraulikk

kNm Hydraulikk developed the kNm Safety Wrench to reduce the risk of falling objects and crush injuries for operators.

When using hydraulic torque wrenches, these are the greatest potential hazards.

The Safety Wrench developed by kNm Hydraulikk eliminates the use of impact wrenches and prevents rotation of the nut.

| kNm Safety Wrench | "       | mm    |
|-------------------|---------|-------|
| 107               | 1 7/16  | 36,1  |
| 110               | 1 5/8   | 41,3  |
| 113               | 1 13/16 | 46    |
| 200               | 2       | 50,8  |
| 203               | 2 13/16 | 55,6  |
| 206               | 2 3/8   | 60,3  |
| 209               | 2 9/16  | 65,1  |
| 212               | 2 3/4   | 69,9  |
| 215               | 2 15/16 | 74,6  |
| 302               | 3 1/8   | 79,4  |
| 308               | 3 1/2   | 89,9  |
| 314               | 3 7/8   | 98,4  |
| 404               | 4 1/4   | 108   |
| 410               | 4 5/8   | 117,5 |



kNm Hydraulikk developed the kNm Safety Nut to reduce the risk of falling objects and crush-danger for operators. When using hydraulic torque wrenches, these are the greatest potential hazards. kNm Safety Nut is screwed onto the bolt connector after the torque wrench is mounted, meaning that the operator does not hold the tool during operation.

kNm Safety Nut comes with both metric and inch thread. The material is aluminum or POM.

| kNm Safety Nut | Dimension  |
|----------------|------------|
| 0_875          | 7/8-9 UNC  |
| 1_000          | 1-8 UNC    |
| 1_125          | 1 1/8-8 UN |
| 1_250          | 1 1/4-8 UN |
| 1_375          | 1 3/8-8 UN |
| 1_500          | 1 1/2-8 UN |
| 1_625          | 1 5/8-8 UN |
| 1_750          | 1 3/4-8 UN |
| 1_875          | 1 7/8-8 UN |
| 2_000          | 2-8 UN     |
| 2_250          | 2 1/4-8 UN |
| 2_500          | 2 1/2-8 UN |



# Torque Pumps - Air Driven



 ATEX CERTIFIED

|                         |               |
|-------------------------|---------------|
| Type                    | Air Driven    |
| Model                   | ZA4208TX-QR0P |
| Weight                  | 52,2 KG       |
| Max. Operating Pressure | 700 bar       |
| Oil Capacity            | 6,8 Liter     |
| Oil Flow at 7 bar       | 5,7 l/min     |
| Oil Flow at 350 bar     | 1,3 l/min     |
| Oil Flow at 700bar      | 1 l/min       |



|                         |            |
|-------------------------|------------|
| Type                    | Air Driven |
| Model                   | ZA4204TXQ  |
| Weight                  | 42,6 KG    |
| Max. Operating Pressure | 700 bar    |
| Oil Capacity            | 2,7 Liter  |
| Oil Flow at 50 bar      | 4,8 l/min  |
| Oil Flow at 350 bar     | 1,1 l/min  |
| Oil Flow at 700bar      | 0,8 l/min  |



 ATEX CERTIFIED

|                         |             |
|-------------------------|-------------|
| Type                    | Air Driven  |
| Model                   | LA2504TX-QR |
| Weight                  | 18 KG       |
| Max. Operating Pressure | 700 bar     |
| Oil Capacity            | 3,0 Liter   |
| Oil Flow at 350 bar     | 0,6 l/min   |
| Oil Flow at 700bar      | 0,4 l/min   |



|                         |             |
|-------------------------|-------------|
| Type                    | Air Driven  |
| Model                   | Panther 380 |
| Weight                  | 22 KG       |
| Max. Operating Pressure | 700 bar     |
| Oil Capacity            | 5.67 Liter  |
| Ports                   | 4           |
| Oil Flow at 86bar       | 11.5 l/min  |
| Oil Flow at 250bar      | 3.5 l/min   |
| Oil Flow at 700bar      | 1.3 l/min   |

# Torque Pumps - Electric



| Type                    | Battery - 28 V, 3 Ah |
|-------------------------|----------------------|
| Model                   | XC-1202MB            |
| Weight                  | 11,0 KG              |
| Max. Operating Pressure | 700 bar              |
| Oil Capacity            | 2,0 Liter            |
| Oil Flow at no load     | 2,05 l/min           |
| Oil Flow at 140 bar     | 0,49 l/min           |
| Oil Flow at 700bar      | 0,25 l/min           |



| Type                    | Electric        |
|-------------------------|-----------------|
| Model                   | ZU4T            |
| Weight                  | 32-34 KG        |
| Max. Operating Pressure | 700- 800 bar    |
| Oil Capacity            | 4,0- 8,0 Litres |
| Motor Size              | 1,25 kW         |
| Flow at Rated Pressure  | 1,0 l/min       |



| Type                    | Electric   |
|-------------------------|------------|
| Model                   | E-Pulse®   |
| Weight                  | 18 KG      |
| Max. Operating Pressure | 700 bar    |
| Oil Capacity            | 3,0 Litres |
| Motor Size              | 1,63 kW    |
| Flow at Rated Pressure  | 0,52 l/min |



| Type                    | Battery - 82 V, 4 Ah |
|-------------------------|----------------------|
| Model                   | ZC                   |
| Weight                  | 33,3 KG              |
| Max. Operating Pressure | 700 bar              |
| Oil Capacity            | 6,6 Liter            |
| Motor Size              | 1,0 kW               |
| Oil Flow at 276 bar     | 1,31 l/min           |
| Oil Flow at 700bar      | 0,52 l/min           |



| Type                    | Electric        |
|-------------------------|-----------------|
| Model                   | ZE2             |
| Weight                  | 42,4            |
| Max. Operating Pressure | 700- 800 bar    |
| Flow at Rated Pressure  | 0,8- 1,0 l/min  |
| Air Consumption         | 600- 2840 l/min |
| Reservoir Capacity      | 1,0- 8,0 Litres |

# Tensioners



HYDRAMAX® TOPSIDE TENSIONER

|                         |              |
|-------------------------|--------------|
| Type                    | HM           |
| Bolt Range              | M20- M39     |
| Bolt Range - “          | ¾- 1 ½”      |
| Max. Load Capacity      | 134 - 624 kN |
| Stroke                  | 10- 15 mm    |
| Max. Operating Pressure | 1500 bar     |



AQUAMAX® SUBSEA TENSIONER

|                         |               |
|-------------------------|---------------|
| Type                    | AM            |
| Bolt Range              | M20- M100     |
| Bolt Range - “          | ¾- 4”         |
| Max. Load Capacity      | 134 - 4643 kN |
| Stroke                  | 30 mm         |
| Max. Operating Pressure | 1500 bar      |



AQUAJACK® SUBSEA TENSIONER

|                         |                |
|-------------------------|----------------|
| Type                    | AJ             |
| Bolt Range              | M16- M90       |
| Bolt Range - “          | ¾- 3 ½”        |
| Max. Load Capacity      | 72,4 - 2316 kN |
| Stroke                  | 30 mm          |
| Max. Operating Pressure | 1500 bar       |



HL TENSIONER

|                         |               |
|-------------------------|---------------|
| Type                    | HL            |
| Bolt Range              | M16- M100     |
| Bolt Range - “          | ¾- 4”         |
| Max. Load Capacity      | 140 - 2704 kN |
| Stroke                  | 15 mm         |
| Max. Operating Pressure | 1041 bar      |



CRANE TENSIONER- CUSTOMISABLE

|                         |                 |
|-------------------------|-----------------|
| Type                    | Crane Tensioner |
| Bolt Range              | Customisable    |
| Max. Load Capacity      | Customisable    |
| Stroke                  | Customisable    |
| Max. Operating Pressure | Customisable    |



POWER GENERATION BOLT TENSIONERS

|                         |                   |
|-------------------------|-------------------|
| Type                    | PGT               |
| Bolt Range              | M20- M72          |
| Max. Load Capacity      | 203,7 - 2969,6 kN |
| Stroke                  | 15 mm             |
| Max. Operating Pressure | 1350- 1500 bar    |

# Tensioner Pumps



|                              |            |
|------------------------------|------------|
| Type                         | Electric   |
| Model                        | ZUTP       |
| Weight                       | 29,5 KG    |
| Max. Operating Pressure      | 1500 bar   |
| Motor Size                   | 1,25 kW    |
| Flow at Rated Pressure       | 0,13 l/min |
| Reservoir Capacity           | 4,0 Litres |
| Output Flow Rate at 1500 bar | 2,90 l/min |



|                         |            |
|-------------------------|------------|
| Type                    | Air Driven |
| Model                   | D500       |
| Weight                  | 22,5 KG    |
| Max. Operating Pressure | 1500 bar   |
| Ports                   | 2          |
| Oil Capacity            | 9 Liter    |
| Oil Flow at 250 bar     | 0,3 l/min  |
| Oil Flow at 700 bar     | 0,2 l/min  |



|                         |            |
|-------------------------|------------|
| Type                    | Air Driven |
| Model                   | D600       |
| Weight                  | 26,5 KG    |
| Max. Operating Pressure | 1500 bar   |
| Ports                   | 2          |
| Oil Capacity            | 9 Liter    |
| Oil Flow at 250 bar     | 0,9 l/min  |
| Oil Flow at 700 bar     | 0,7 l/min  |



|                         |            |
|-------------------------|------------|
| Type                    | Air Driven |
| Model                   | D500 HP    |
| Weight                  | 22,5 KG    |
| Max. Operating Pressure | 2275 bar   |
| Oil Capacity            | 9 Litres   |
| Oil Flow at 250 bar     | 0,3 l/min  |
| Oil Flow at 700 bar     | 0,2 l/min  |

# Nut Splitters & Industrial Cutters





# Nut Splitter & Nut Cutter



**Ex** ATEX CERTIFIED

| Model                    | NS & NSH-Series          |
|--------------------------|--------------------------|
| Type                     | Hydraulic Nut Splitter   |
| Bolt Range               | M45 - M90                |
| Power Head               | Single & Double - Acting |
| Hexagon Nut Range        | 70- 130 mm               |
| Capacity - Cutting Force | 1025 - 1733 kN           |
| Max. Operating Pressure  | 700 bar                  |



| Model                    | NC-Series            |
|--------------------------|----------------------|
| Type                     | Hydraulic Nut Cutter |
| Bolt Range               | M6 - M478            |
| Power Head               | Single - Acting      |
| Hexagon Nut Range        | 10- 75 mm            |
| Capacity - Cutting Force | 49 - 882 kN          |
| Max. Operating Pressure  | 700 bar              |

| <b>MODEL</b> | <b>TYPE</b>            | <b>POWER SOURCE</b>      | <b>MAX. CAPACITY</b> | <b>Weight</b>  |
|--------------|------------------------|--------------------------|----------------------|----------------|
| WMC          | Self-Contained Cutter  | Hydraulic                | 3 - 20 ton           | 3,6 - 11,3 KG  |
| EBC          | Cordless Bar Cutter    | Battery (12 and 18 Volt) | HRc 43               | 8,7 KG         |
| EBH          | Bar Cutter             | Hydraulic                | HRc 43               | 21 - 136 KG    |
| EBE          | Bar Cutter             | Electric                 | HRc 43               | 13,2 - 15,9 KG |
| ECCE         | Chain Cutter           | Electric                 | HRc 46               | 25 - 48 KG     |
| WHC          | Cutter Head            | Hydraulic                | 3 -20 ton            | 3,2 - 14,5 KG  |
| WMC          | Self-Contained Cutter  | Hydraulic                | 3 - 20 ton           | 3,6 - 11,3 KG  |
| WHC          | Wire & Cable Cutter    | Hydraulic                | 3 - 20 ton           | 3,2 - 14,5 KG  |
| EWCH         | Wire & Cable Cutter    | Hydraulic                | 65 daN/mm2           | 54 - 150 KG    |
| EWCE         | Wire & Cable Cutter    | Electric                 | HRc 48               | 25 KG          |
| EFBE         | Flat Bar Cutter        | Electric                 | HRc 33               | 21 - 30 KG     |
| EDCH         | Decommissioning Cutter | Hydraulic                | 65 daN/mm2           | 11,5 - 24,2 KG |

# Flange Spreader Tools



 ATEX CERTIFIED

|                    |                       |
|--------------------|-----------------------|
| <b>MODEL</b>       | <b>SWI1214TMSTDEX</b> |
| <b>TYPE</b>        | Mechanical            |
| <b>MAX. FORCE</b>  | 140 kN                |
| <b>CAPACITY</b>    | 14 Metric Ton         |
| <b>MAX. SPREAD</b> | 103,5 mm              |
| <b>WEIGHT</b>      | 17 KG                 |



|                    |                        |
|--------------------|------------------------|
| <b>MODEL</b>       | <b>SWI1214TMSTDSPB</b> |
| <b>TYPE</b>        | Mechanical             |
| <b>MAX. FORCE</b>  | 140 kN                 |
| <b>CAPACITY</b>    | 14 Metric Ton          |
| <b>MAX. SPREAD</b> | 103,5 mm               |
| <b>WEIGHT</b>      | 13 KG                  |



 ATEX CERTIFIED

|                    |                       |
|--------------------|-----------------------|
| <b>MODEL</b>       | <b>SWI2025TEMAXEX</b> |
| <b>TYPE</b>        | Hydraulic (External)  |
| <b>MAX. FORCE</b>  | 240 kN                |
| <b>CAPACITY</b>    | 24 Metric Ton         |
| <b>MAX. SPREAD</b> | 103,5 mm              |
| <b>WEIGHT</b>      | 27,5 KG               |



|                    |                        |
|--------------------|------------------------|
| <b>MODEL</b>       | <b>SWI2025TESTDSPB</b> |
| <b>TYPE</b>        | Hydraulic (External)   |
| <b>MAX. FORCE</b>  | 240 kN                 |
| <b>CAPACITY</b>    | 24 Metric Ton          |
| <b>MAX. SPREAD</b> | 103,5 mm               |
| <b>WEIGHT</b>      | 20,7 KG                |



 ATEX CERTIFIED

|                    |                       |
|--------------------|-----------------------|
| <b>MODEL</b>       | <b>SWi2025TISTDEX</b> |
| <b>TYPE</b>        | Hydraulic (Integral)  |
| <b>MAX. FORCE</b>  | 240 kN                |
| <b>CAPACITY</b>    | 24 Metric Ton         |
| <b>MAX. SPREAD</b> | 103,5 mm              |
| <b>WEIGHT</b>      | 17,5 KG               |



|                    |                        |
|--------------------|------------------------|
| <b>MODEL</b>       | <b>SWi2025TISTDSPB</b> |
| <b>TYPE</b>        | Hydraulic (Integral)   |
| <b>MAX. FORCE</b>  | 240 kN                 |
| <b>CAPACITY</b>    | 24 Metric Ton          |
| <b>MAX. SPREAD</b> | 103,5 mm               |
| <b>WEIGHT</b>      | 9,3 KG                 |

# Flange Alignment Tools



|                            |              |
|----------------------------|--------------|
| <b>Model</b>               | <b>FA1TM</b> |
| <b>Type</b>                | Mechanical   |
| <b>Max. Reaction Force</b> | 10 kN        |
| <b>Capacity</b>            | 1 Metric Ton |
| <b>Min. Bolt Size</b>      | 16 mm        |
| <b>Weight</b>              | 2,3 KG       |



|                            |                  |
|----------------------------|------------------|
| <b>Model</b>               | <b>ATM2</b>      |
| <b>Type</b>                | Flange Alignment |
| <b>Max. Reaction Force</b> | 10 kN            |
| <b>Capacity</b>            | 1 Metric Ton     |
| <b>Min. Bolt Size</b>      | 16 mm            |
| <b>Weight</b>              | 1,6 KG           |



|                            |              |
|----------------------------|--------------|
| <b>Model</b>               | <b>FA4TM</b> |
| <b>Type</b>                | Mechanical   |
| <b>Max. Reaction Force</b> | 40 kN        |
| <b>Capacity</b>            | 4 Metric Ton |
| <b>Min. Bolt Size</b>      | 25 mm        |
| <b>Weight</b>              | 8,6 KG       |



|                            |                  |
|----------------------------|------------------|
| <b>Model</b>               | <b>ATM4</b>      |
| <b>Type</b>                | Flange Alignment |
| <b>Max. Reaction Force</b> | 4 Metric Ton     |
| <b>Capacity</b>            | 40 kN            |
| <b>Min. Bolt Size</b>      | 25 mm            |
| <b>Weight</b>              | 8,6 KG           |



|                            |                 |
|----------------------------|-----------------|
| <b>Model</b>               | <b>FA9TESTD</b> |
| <b>Type</b>                | Hydraulic       |
| <b>Max. Reaction Force</b> | 90 kN           |
| <b>Capacity</b>            | 9 Metric Ton    |
| <b>Min. Bolt Size</b>      | 35,5 mm         |
| <b>Weight</b>              | 14,5 KG         |



|                            |                  |
|----------------------------|------------------|
| <b>Model</b>               | <b>ATM9</b>      |
| <b>Type</b>                | Flange Alignment |
| <b>Max. Reaction Force</b> | 90 kN            |
| <b>Capacity</b>            | 35,5 mm          |
| <b>Min. Bolt Size</b>      | 35,5 mm          |
| <b>Weight</b>              | 14,5 KG          |

# Flange Secure Grip Tools

The Equalizer™ range of patented flange spreading tools have been developed to aid and simplify the maintenance of flange joints. No longer will those tasked with separating flanges have to rely on using ropes and pulleys, podgers, tirsors, come-alongs or hammers – there is a safe, quick and effective alternative, the Equalizer™ range of spreaders. These spreaders use mechanical and hydraulic principles for separating flanges and can spread small, medium or large flange joints. Tool selection is made on the basis of the access gap between the flange faces, the flange size and the required scope of work.

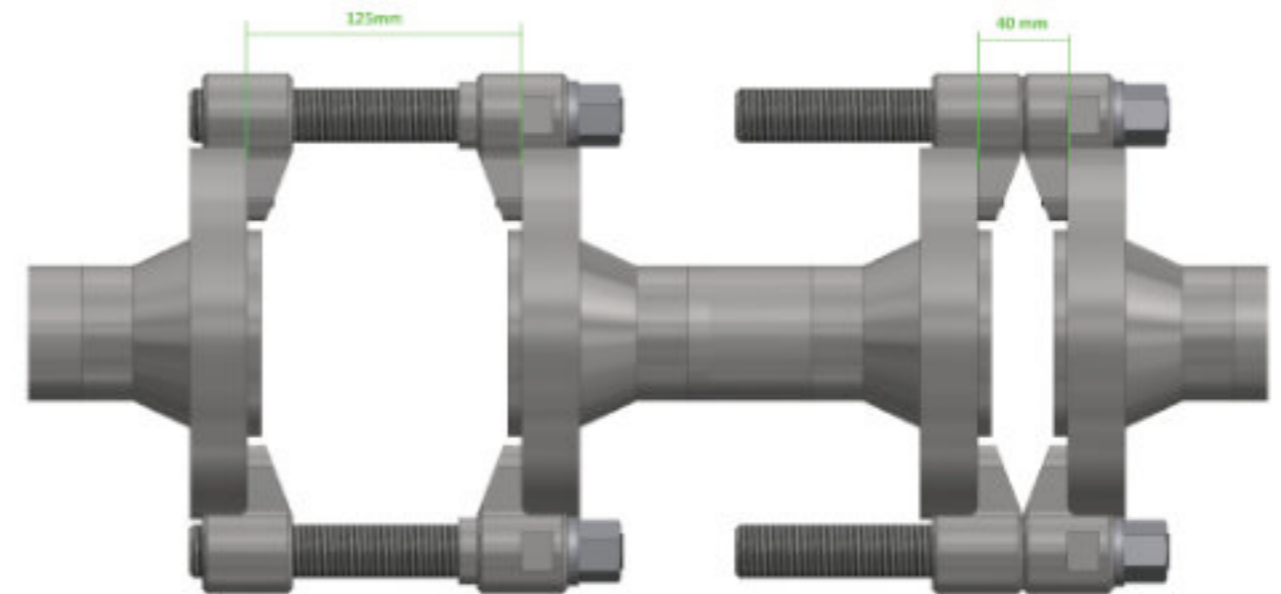


| Model   | Max. Spreading Force | Max. Spreading Distance | Weight  |
|---------|----------------------|-------------------------|---------|
| SG4TM   | 4.2 TON              | 75 mm                   | 4,5 KG  |
| SG6TM   | 6.7 TON              | 80 mm                   | 7,5 KG  |
| SG11TM  | 12.4 TON             | 90 mm                   | 10,5 KG |
| SG13TE  | 14.6 TON             | 115 mm                  | 21,5 KG |
| SG15TES | 16.9 TON             | 100 mm                  | 26 KG   |

# Ola Spreader

kNm flange spreader was developed to simplify the disassembly and replacement of gaskets in flanged connections.

The spreader is designed and adapted for flanges up to 6" in pressure class 600.



| Weight | Max. Spreading Force | Max. Torque |
|--------|----------------------|-------------|
| 1.3 KG | 2000 KG              | 80 Nm       |

# CYLINDERS



# CYLINDERS

| MODEL     | TYPE  | CAPACITY       | STROKE  | ADDITIONAL INFORMATION                             |
|-----------|---|----------------|---|--|
| RC TRIO   | Single-Acting                                 | 5 - 95 TON     | 16 - 362 mm   |  |
| RAC       | Single-Acting                                 | 10 - 150 TON   | 50 - 250 mm   |  |
| RACL      | Single-Acting Lock Nut Cylinders              | 20 - 150 TON   | 50 - 250 mm   |  |
| RACH      | Single-Acting Hollow Plunger Cylinders        | 20 - 150 TON   | 50 - 250 mm   | Center Hole Diameter: 27 - 79 mm                   |
| RAR       | Double-Acting                                 | 20 - 150 TON   | 50 - 250 mm   |  |
| RARH      | Double-Acting Hollow Plunger Cylinders        | 30 - 150 TON   | 50 - 250 mm   | Center Hole Diameter: 34 - 79 mm                   |
| CULP      | Ultra-Flat Cylinders with Stop Ring           | 10 - 100 TON   | 6 mm  | Steel  |
| CUSP      | Ultra-Flat High-Tonnage Cylinders             | 10 - 1000 TON  | Stroke Straight / Tilted Stroke:<br>7 - 17 mm / 6 - 10 mm | Tilting Function - Integrated                      |
| LPL       | Single-Acting Low-Height Lock Nut Cylinders   | 60 - 500 TON   | 45 - 50 mm  |  |
| RSM & RCS | Single-Acting Low-Height Cylinders            | 5 - 150 TON    | 6 - 62 mm   |  |
| RLT       | Single-Acting Low-Height Telescopic Cylinders | 4,4 - 74,1 TON | 17 - 40 mm  | Steel  |
| RT        | Single-Acting Telescopic Cylinders            | 14 - 31 TON    | 270 - 600 mm  | Includes integral tilt saddle and load return      |
| BRC/BRP   | Single-Acting Pull Cylinders                  | 2,5 - 50 TON   | 127 - 154 mm  | CR-400 coupler and dust cap included on all models |
| RCH       | Single-Acting Hollow Plunger Cylinders        | 13 - 95 TON    | 8 - 155 mm  | Center Hole Diameter: 17,3 - 79 mm                 |
| RRH       | Double-Acting Hollow Plunger Cylinders        | 30 - 145 TON   | 38 - 258 mm   | Center Hole Diameter: 33,3 - 79,2 mm               |
| RR        | Double-Acting Long Stroke Cylinders           | 10 - 520 TON   | 57 - 1219 mm  |  |

# Hand Pumps



| Model   | Pump Type    | Useable Oil Capacity | Max. Flow at Rated Pressure  | Valve Operation | Max. Operating Pressure | Weight  |
|---------|--------------|----------------------|------------------------------|-----------------|-------------------------|---------|
| P141    | Single Speed | 327 cm <sup>3</sup>  | 0,90 cm <sup>3</sup> /stroke | Manual          | 700 bar                 | 2,4 KG  |
| P142    | Two Speed    | 327 cm <sup>3</sup>  | 0,90 cm <sup>3</sup> /stroke | Manual          | 700 bar                 | 2,4 KG  |
| P391    | Single Speed | 901 cm <sup>3</sup>  | 2,47 cm <sup>3</sup> /stroke | Manual          | 700 bar                 | 4,1 KG  |
| P392    | Two Speed    | 901 cm <sup>3</sup>  | 2,47 cm <sup>3</sup> /stroke | Manual          | 700 bar                 | 4,1 KG  |
| P80     | Two Speed    | 2200 cm <sup>3</sup> | 2,46 cm <sup>3</sup> /stroke | Manual          | 700 bar                 | 10,7 KG |
| P84     | Two Speed    | 2200 cm <sup>3</sup> | 2,46 cm <sup>3</sup> /stroke | Manual          | 700 bar                 | 11,8 KG |
| P801    | Two Speed    | 4100 cm <sup>3</sup> | 2,46 cm <sup>3</sup> /stroke | Manual          | 700 bar                 | 14,1 KG |
| HPT1500 | Two Speed    | 2540 cm <sup>3</sup> | 0,61 cm <sup>3</sup> /stroke | Manual          | 1500 bar                | 9,0 KG  |
| P2282   | Two Speed    | 983 cm <sup>3</sup>  | 0,61 cm <sup>3</sup> /stroke | Manual          | 2800 bar                | 6,4 KG  |

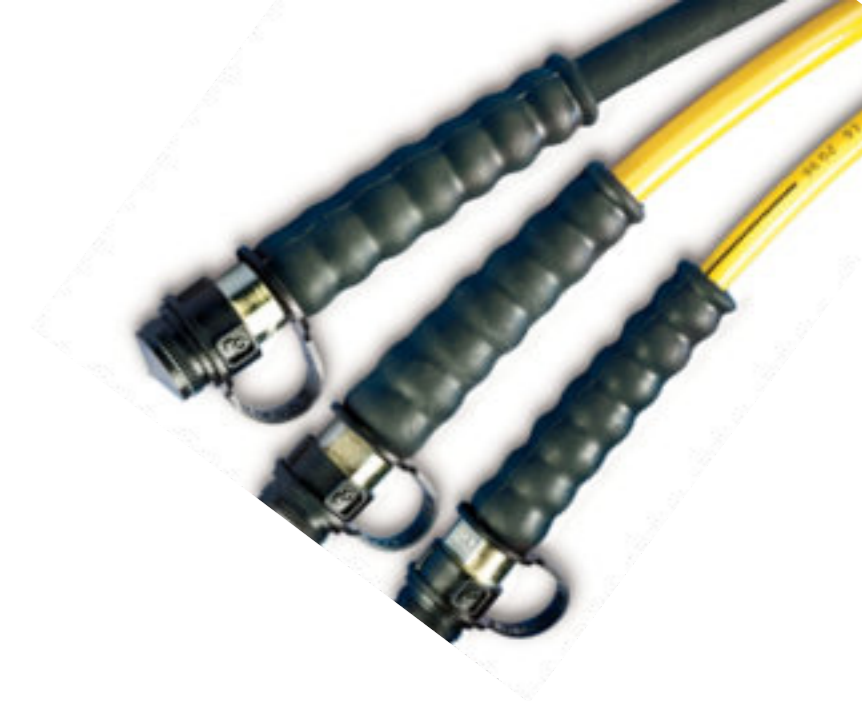




# Components - Hoses

| Hose Length | Operating Pressure |
|-------------|--------------------|
| 0,6 M       | 700 bar            |
| 0,9 M       | 700 bar            |
| 1,8 M       | 700 bar            |
| 3,0 M       | 700 bar            |
| 6,1 M       | 700 bar            |
| 15,0 M      | 700 bar            |
| 30,0 M      | 700 bar            |
| 1,8 M       | 1500 bar           |
| 3,0 M       | 1500 bar           |
| 6,1 M       | 1500 bar           |
| 9,1 M       | 1500 bar           |
| 15,0 M      | 1500 bar           |
| 30,0 M      | 1500 bar           |

Different couplers available



| TYPE             | Operating Pressure |
|------------------|--------------------|
| Single Hose Reel | 1500 bar           |
| Twin Hose Reel   | 700 bar            |
| Hose Reel Stand  | *No fittings       |



# Components - Gauges



|                       |                         |
|-----------------------|-------------------------|
| <b>MODEL</b>          | T- Series               |
| <b>Pressure Range</b> | 0- 3500 bar             |
| <b>Face Diameter</b>  | 162- 192 mm             |
| <b>Accuracy</b>       | ± 0,5- 1,5%             |
| <b>Material</b>       | Alloy & Stainless Steel |



|                       |                         |
|-----------------------|-------------------------|
| <b>MODEL</b>          | GA45GC                  |
| <b>Pressure Range</b> | 0- 700 bar              |
| <b>Scale</b>          | Dual                    |
| <b>Accuracy</b>       | ± 0,5- 1,5%             |
| <b>Material</b>       | Alloy & Stainless Steel |



|                       |                        |
|-----------------------|------------------------|
| <b>MODEL</b>          | DGR- Series            |
| <b>Pressure Range</b> | 0- 1380 bar            |
| <b>Voltage</b>        | 3 Volt (Battery)       |
| <b>Accuracy</b>       | ± 0,25%                |
| <b>Display</b>        | Bar, psi, Mpa & kg/cm2 |



|                       |                        |
|-----------------------|------------------------|
| <b>MODEL</b>          | G- Series              |
| <b>Scale</b>          | Dual                   |
| <b>Pressure Range</b> | 0- 1000 bar            |
| <b>Face Diameter</b>  | 63- 100 mm             |
| <b>Accuracy</b>       | ± 1,0- 1,5%            |
| <b>Display</b>        | Bar, psi, Mpa & kg/cm2 |

# Components - Manifolds



| Model                   | SFM - Series     |
|-------------------------|------------------|
| Compatibility           | Single-Acting    |
| Inlet Connection        | 1 x Power Pump   |
| Outlet Connection       | Max. 4 Cylinders |
| Min. Pump Flow          | 0,82 l/min       |
| Max. Operating Pressure | 700 bar          |



| Model                   | AM21      |
|-------------------------|-----------|
| Inlet Ports             | 2         |
| Outlet Ports            | 2         |
| Oil Ports               | 3/8" NPTF |
| Max. Operating Pressure | 700 bar   |



| Model                   | AMGC41        | AMGC42        |
|-------------------------|---------------|---------------|
| Compatibility           | Single Acting | Double Acting |
| Inlet Connection        | 1             | 1             |
| Outlet Connection       | 4             | 4             |
| Max. Operating Pressure | 700 bar       | 700 bar       |
| Weight                  | 10,8 KG       | 17,4 KG       |



| Model                   | AM41      |
|-------------------------|-----------|
| Inlet Ports             | 1         |
| Outlet Ports            | 4         |
| Oil Ports               | 3/8" NPTF |
| Max. Operating Pressure | 700 bar   |

**kNm Hydraulikk**  
Skvadronvegen 27  
4050 Sola

post@knm-hydraulikk.no  
www.knm-hydraulikk.no

