

Torque and tension specialist

**Instruction Sheet**

---

**ATP-1500**  
**1500 Bar Air-Hydraulic Pump**

**Index:**


English . . . . .	1-8
Français . . . . .	9-16
Deutsch . . . . .	17-24
Italiano . . . . .	25-33
Español . . . . .	34-41
Nederlands . . . . .	42-49
Portuguese . . . . .	50-57
Finnish . . . . .	58-65
Norwegian . . . . .	66-73
Swedish . . . . .	74-81
中文 . . . . .	82-89
日本語 . . . . .	90-97
Russian . . . . .	98-105

**1.0 IMPORTANT RECEIVING INSTRUCTIONS**

Visually inspect all components for shipping damage. Shipping damage is not covered by warranty. If shipping damage is found, notify carrier at once. The carrier is responsible for all repair and replacement costs resulting from damage in shipment.

**2.0 SAFETY**

**2.1 General Hydraulic Safety Precautions**


 Read all instructions, warnings and cautions carefully. Follow all safety precautions to avoid personal injury or property damage during system operation. Enerpac cannot be responsible for damage or injury resulting from unsafe product use, lack of maintenance or incorrect product and/or system operation. Contact Enerpac when in doubt as to the safety precautions and operations. If you have never been trained on high-pressure hydraulic safety, consult your distribution or service center for a free Enerpac Hydraulic safety course.


Failure to comply with the following cautions and warnings could cause equipment damage and personal injury.


**A CAUTION** is used to indicate correct operating or maintenance procedures and practices to prevent damage to, or destruction of equipment or other property.

**A WARNING** indicates a potential danger that requires correct procedures or practices to avoid personal injury.


**A DANGER** is only used when your action or lack of action may cause serious injury or even death.


 **WARNING:** Wear proper personal protective gear when operating hydraulic equipment.


 **Never** set the relief valve (pumps equipped with user-adjustable relief valve only) to a higher pressure than the maximum rated pressure of the pump. Higher settings may result in equipment damage and/or personal injury.


 **WARNING:** The system operating pressure must not exceed the pressure rating of the lowest rated component in the system. Install pressure gauges in the system to monitor operating pressure. It is your window to what is happening in the system.





 **CAUTION:** Avoid damaging hydraulic hose. Avoid sharp bends and kinks when routing hydraulic hoses. Using a bent or kinked hose will cause severe back-pressure. Sharp bends and kinks will internally damage the hose leading to premature hose failure.


 **Do not** drop heavy objects on hose. A sharp impact may cause internal damage to hose wire strands. Applying pressure to a damaged hose may cause it to rupture.

 **IMPORTANT:** Do not lift hydraulic equipment by the hoses or swivel couplers. Use the carrying handle or other means of safe transport.

 **CAUTION:** Keep hydraulic equipment away from flames and heat. Excessive heat will soften packings and seals, resulting in fluid leaks. Heat also weakens hose materials and packings. For optimum performance do not expose equipment to temperatures of 65°C [150°F] or higher. Protect hoses and cylinders from weld spatter.

 **DANGER:** Do not handle pressurized hoses. Escaping oil under pressure can penetrate the skin, causing serious injury. If oil is injected under the skin, see a doctor immediately.

 **IMPORTANT:** Hydraulic equipment must only be serviced by a qualified hydraulic technician. For repair service, contact the Authorized ENERPAC Service Center in your area. To protect your warranty, use only ENERPAC oil.

 **WARNING:** Immediately replace worn or damaged parts with genuine ENERPAC parts. Standard grade parts will break causing personal injury and property damage. ENERPAC parts are designed to fit properly and withstand high loads.

## 2.2 ATP-1500 Safety Precautions

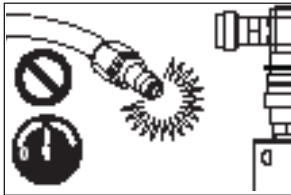


**Warning:** Failure to observe the following precautions may result in serious personal injury or death!

- Always wear eye protection, gloves and boots when operating the pump.
- High pressure hydraulic equipment can be very dangerous if misused. Keep away from oil leakages at high pressure. Liquid escaping from highly pressurized equipment has sufficient power to penetrate the skin, which can cause blood poisoning. In the case of such an accident, seek IMMEDIATE medical attention.

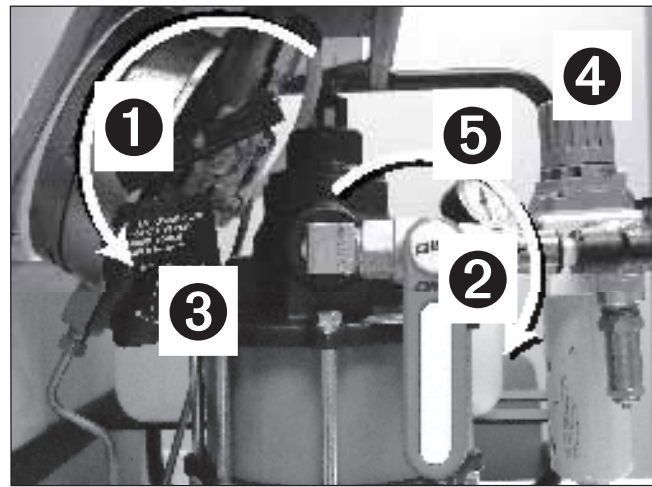


- Never attempt to disconnect a hydraulic coupler while it is under pressure.
- Never attempt to repair leaks while the system is pressurized. Be sure system pressure gauge indicates zero [0] psi/bar before making any repairs.



- Never pressurize the back of a disconnected male coupler. Serious personal injury could result if the coupler fails while under pressure.
- Use caution when pressurizing a system. Pressure can rise faster than anticipated. Continuously monitor the pressure gauge during pressurization. Be prepared to stop pressurization immediately at any time.

- Before operation, ensure that quick-disconnect couplings are properly connected by physically pulling on them.
- Allow only trained and experienced personnel to operate the pump. Be especially careful to avoid accidental pump start-up.
- Never leave the pump pressurized and unattended. If you must leave the area, close the air-shutoff valve and ensure that the release (return-to-tank) valve on the pump is fully open. Turn the air pressure regulator knob counter-clockwise until zero [0] psi/bar is indicated on the air pressure gauge.
- Never exceed the safe working pressure for the hydraulic hoses, tools or pump. The maximum allowable operating pressure (hydraulic) for the ATP-1500 pump is 21,755 psi [1500 bar].



Key:

① OPEN

② CLOSED

③ Return-to-Tank Valve

④ Air Pressure Regulator

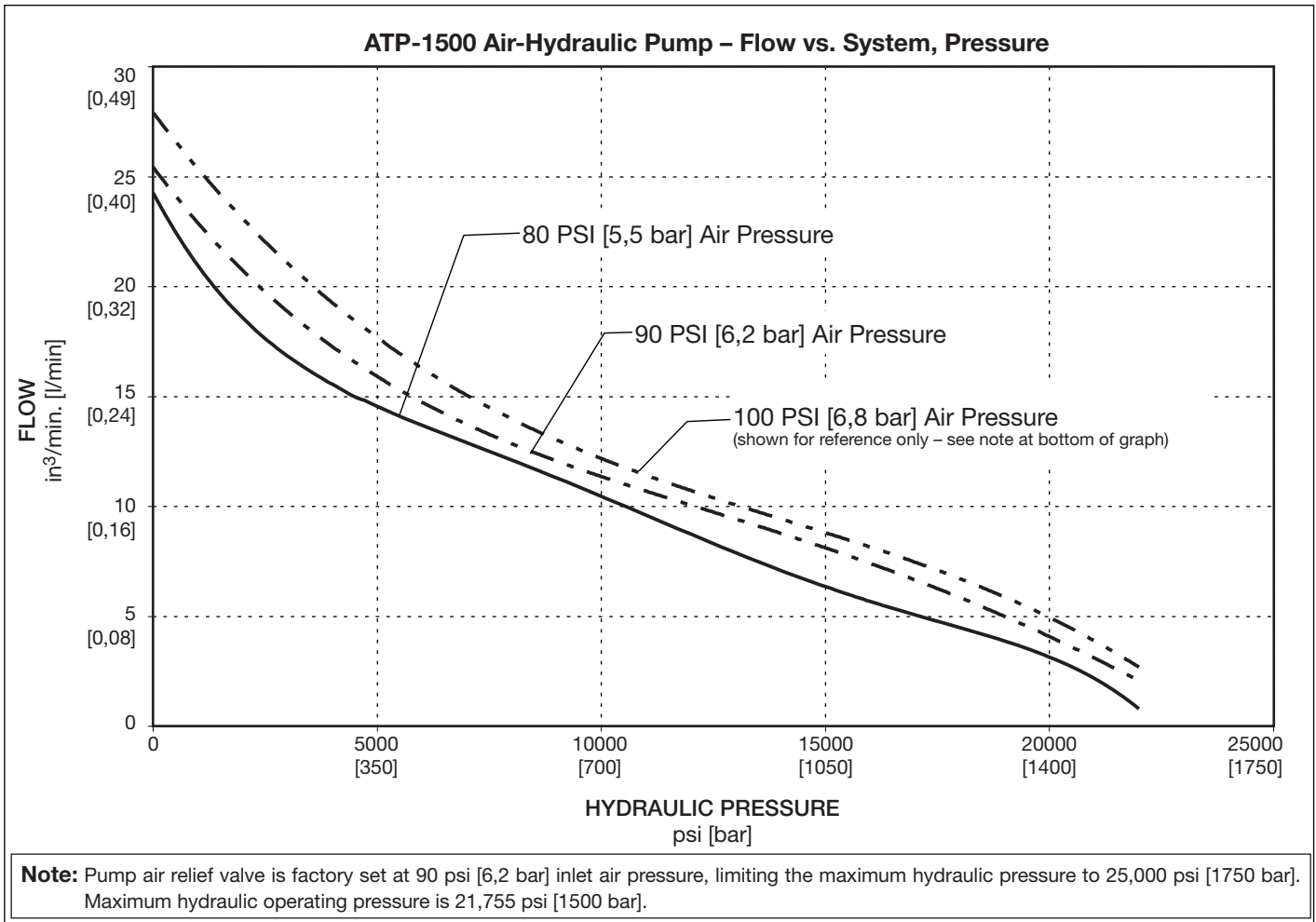
⑤ Air-Shutoff Valve

*Figure 1, Before Connecting Air Supply*

- Before connecting air supply: Ensure that the air-shutoff (on-off) valve is closed (i.e. handle in vertical position) and that the oil return-to-tank valve is open. See Figure 1.
- Check the air pressure gauge after connecting air supply. If any pressure is indicated, turn the air pressure regulator knob counter-clockwise until the gauge indicates zero [0] psi/bar.
- Always pressurize the pump starting at zero [0] psi/bar air pressure and work upward. Turn air pressure regulator knob SLOWLY to prevent sudden and unexpected increases in hydraulic pressure.
- After the desired hydraulic pressure has been obtained, always close the air-shutoff valve and turn the air pressure regulator knob counter-clockwise until zero [0] psi/bar is indicated on the air pressure gauge.
- Always depressurize before leaving the system unattended.

### 3.0 SPECIFICATIONS

#### 3.1 Performance Data

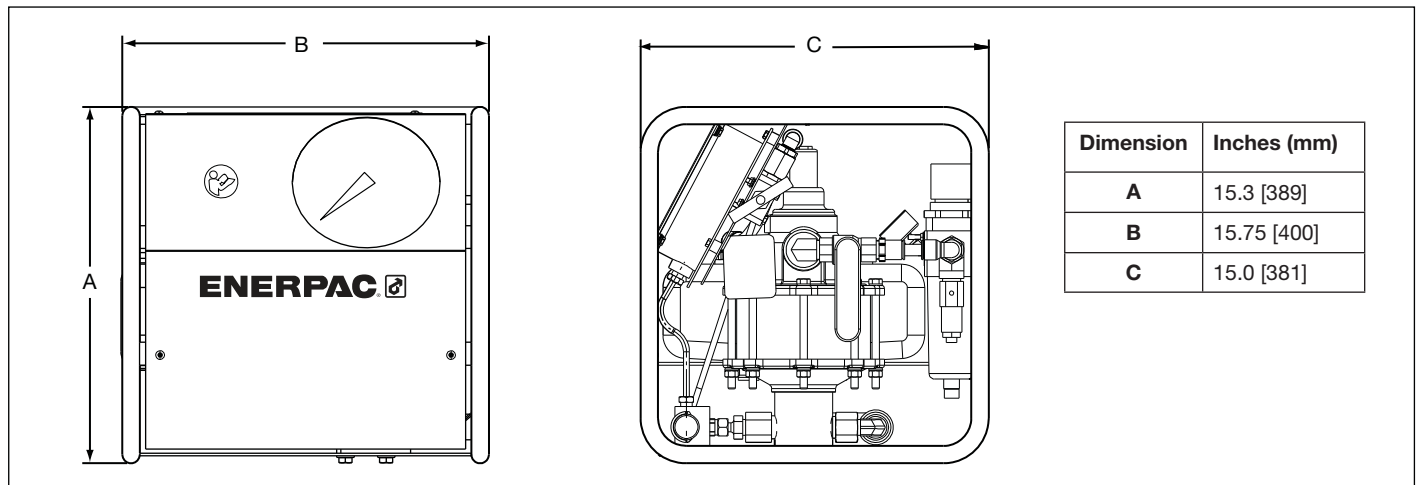


#### 3.2 Technical Data

Temperature Range	Oil Viscosity Range	Hydraulic Oil Type (recommended)	Seal Materials	Max Hyd. Pressure (operating)	Sound Level	Air Consumption* (typical)	Weight (including oil)
-20 to +140°F [-29 to +50°C]	150 -165 S.U.S. [15 - 25 C.S.T.]	Enerpac HF	Buna and Viton	21,755 psi [1500 bar]	70 dBA Max.	21 SCFM [113 L/Min]	54 lbs. [32 Kg]

\*Actual air consumption will vary depending on application. Refer to Section 4.3 for additional information.

#### 3.3 External Dimensions



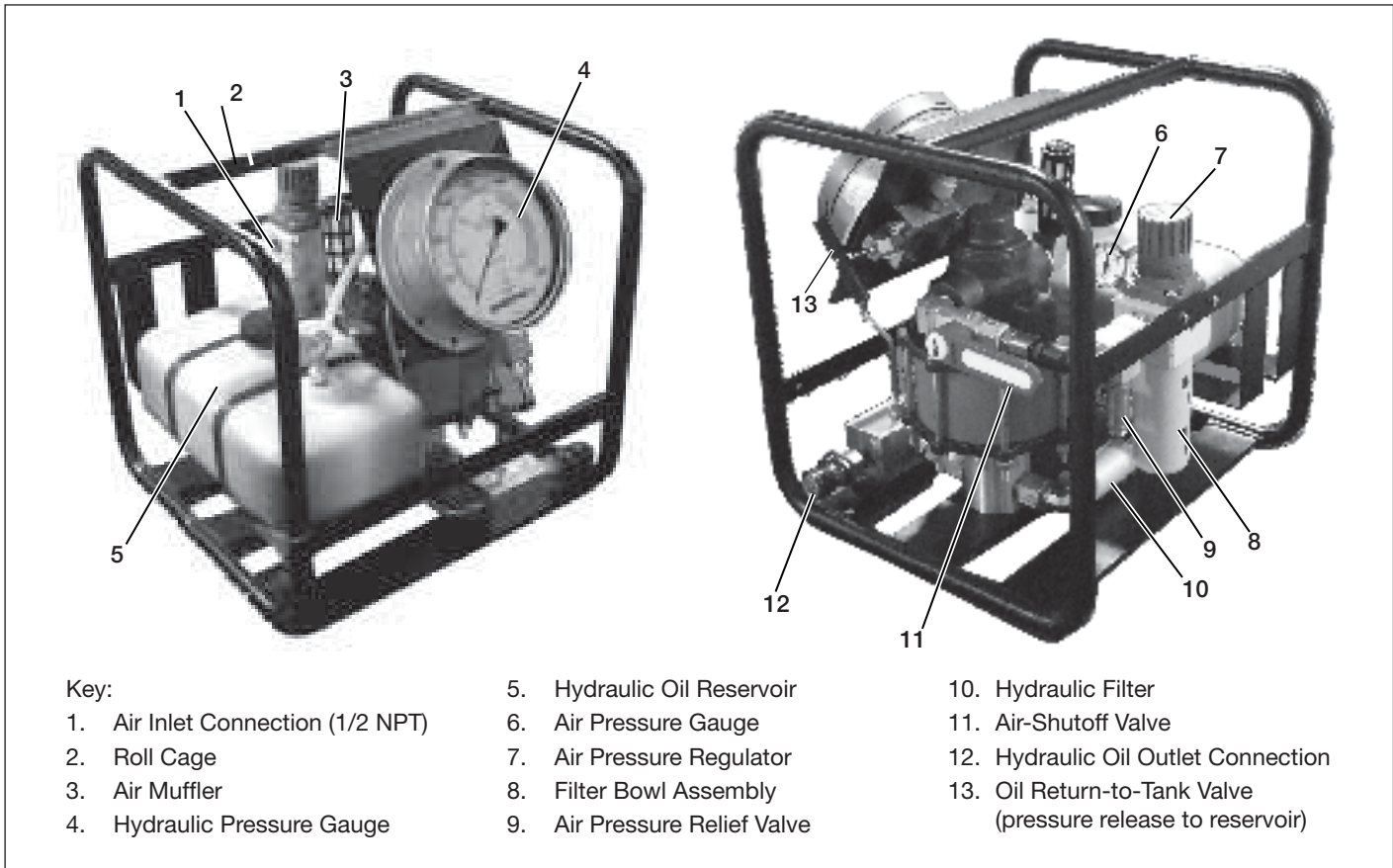


Figure 2, Pump Features and Components (Note: guards and covers removed for illustrative purposes only.)

#### 4.0 PUMP SET-UP

##### 4.1 Oil Reservoir

Check pump oil level prior to start-up. Before checking oil level:

- Be sure that air-shutoff valve is CLOSED and that oil return-to-tank valve is OPEN. See Figure 1.
- Be sure that the pump hydraulic pressure and air pressure gauges both indicate zero [0] psi/bar.

The reservoir is FULL when oil level is at the top of the reservoir as shown in Figure 3. Oil capacity is approximately 1 US gallon [3,8 liters]. Use Enerpac Type HF Oil.

**IMPORTANT:** Add oil only when all system components are fully retracted, or the system will contain more oil than the reservoir can hold.

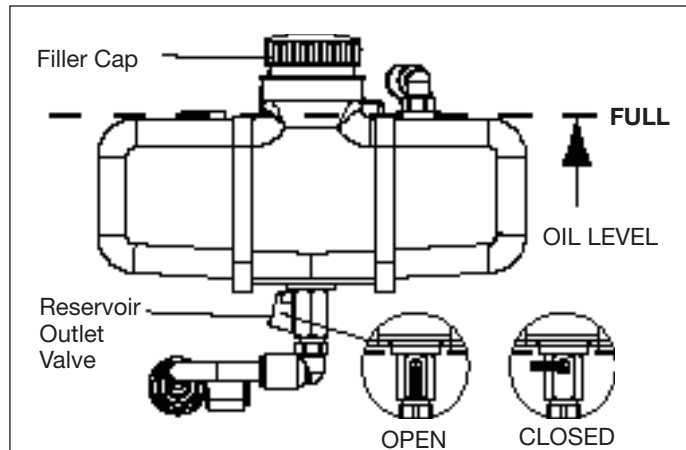


Figure 3, Hydraulic Oil Reservoir

##### 4.2 Air and Hydraulic Connections



**WARNING:** Before connecting air supply, ensure that the air-shutoff (on-off) valve is **closed** (i.e. handle in vertical position) and that the oil return-to-tank valve is **open**. See Figure 1. Also, be sure that the air pressure regulator is fully turned off, so that pump air pressure gauge indicates zero [0] psi.

Make connections as required:

- The pump air inlet is located on the air pressure regulator assembly. It is a standard 1/2" NPT connection.
- The pump hydraulic oil outlet is a 1/4" female BSPP connection. On pumps used in bolting applications, a female quick-disconnect coupler is typically installed in the BSPP connection.

##### 4.3 Air Requirements

Pump air consumption is approximately 21 SCFM [113 l/min] of free air at 100 psi [6,8 bar] oil discharge pressure. At lower air pressures and higher hydraulic pressures, air consumption will be reduced proportionally to the flow rates indicated.

**IMPORTANT:** Pump air supply pressure should not exceed 90 psi [6,2 bar] static.



**WARNING:** The pump air pressure relief valve is factory set at approximately 90 psi [6,2 bar]. To prevent personal injury and equipment damage, do not attempt to raise relief valve setting.

Use only dry and filtered compressed air. Use of a water separator is strongly recommended.

Pump internal components are self-lubricating. Lubricated air is NOT required.

#### 4.4 Pump Priming (air bleeding)

**IMPORTANT:** New pumps MUST be primed BEFORE initial start-up. Perform priming procedure as described in the following steps. Refer to figures 4 through 7.

1. Be sure that hydraulic reservoir is filled with the correct oil and that reservoir outlet valve is open. Refer to Section 4.1.
2. Be sure that the air-shutoff valve is in the CLOSED position and that the oil return-to-tank valve is open.
3. Loosen the reservoir filler cap about one-half turn to provide air venting. **Venting is required for proper operation.**

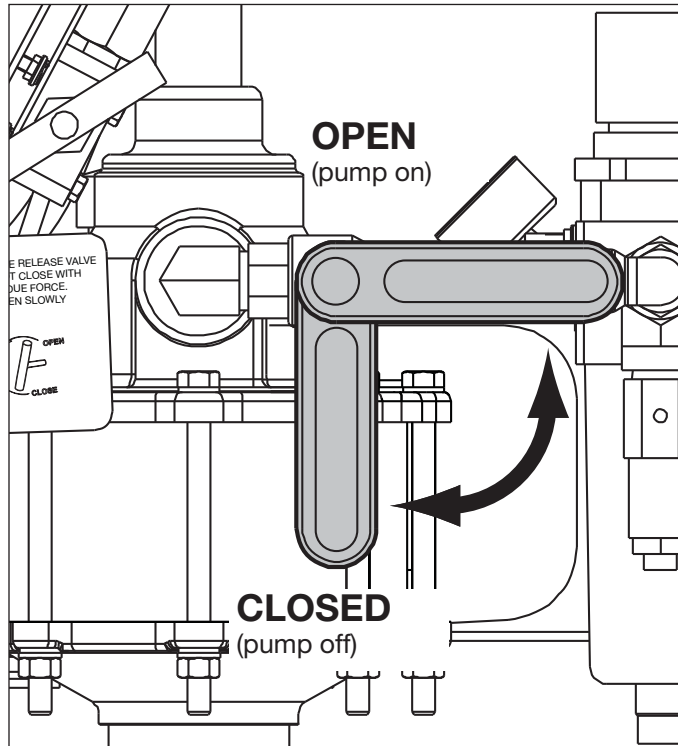


Figure 4, Air-Shutoff Valve

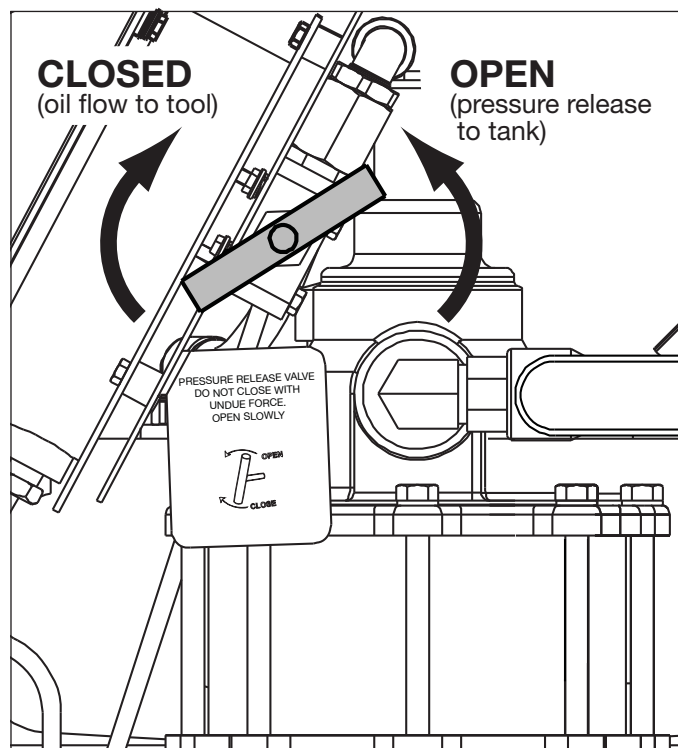


Figure 5, Oil Return-to-Tank Valve

4. Connect air supply hose to the pump air inlet connection.
5. While air-shutoff valve remains CLOSED, activate air source and check the air pressure gauge. If any pressure is indicated, turn air pressure regulator knob counter-clockwise as required, until gauge indicates zero [0] psi/bar.

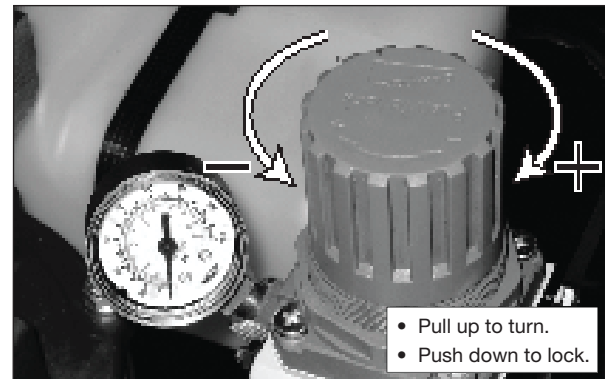


Figure 6, Air Pressure Gauge and Regulator

6. Connect one end of a 3 foot [1 m] long hydraulic hose to the pump oil outlet connection.
7. Install an open-ended quick disconnect fitting on other end of hose.
8. Unscrew the reservoir filler cap. Place hose end with open-ended fitting inside reservoir. This will allow oil return during priming.
9. Close the oil return-to-tank valve. Move the air-shutoff valve to the OPEN position.
10. Using the air pressure regulator, SLOWLY increase air pressure from 0 psi to 10-15 psi [0,68 - 1,0 bar] to start pump operation.
11. Verify that oil is returning to the reservoir through the hose. Increase air pressure to 40 psi [2,75 bar] until all air is purged from the system (no bubbles visible in return oil stream).
12. Move the air-shutoff valve back to the CLOSED position. The pump will stop.
13. Turn the air pressure regulator knob counter-clockwise until zero [0] psi/bar is indicated on the air pressure gauge.
14. Open the oil return-to-tank valve to relieve any residual hydraulic pressure. Verify that hydraulic pressure gauge indicates zero [0] psi/bar.

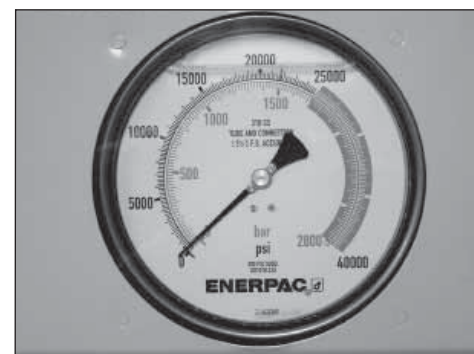


Figure 7, Hydraulic Pressure Gauge

15. Remove the 3 foot [1 m] long oil return hose from the reservoir. Reinstall the reservoir filler cap.
16. Disconnect the oil return hose from the pump oil outlet connection.

## 5.0 PUMP OPERATION

Operate the pump as described in sections 5.1 through 5.4. Refer to Figures 4 through 7.

**IMPORTANT:** New pumps must be primed before operation. Refer to Section 4.4.

### 5.1 Before Pressurizing the Pump

1. Be sure that air-shutoff valve is in the CLOSED position and that the oil return-to-tank valve is open.
2. Prepare the pump for operation. Check oil level and make hose connections as required. Refer to sections 4.1, 4.2 and 4.3.
3. While air-shutoff valve remains CLOSED, activate air source and check the air pressure gauge. If any pressure is indicated, turn air pressure regulator knob counter-clockwise as required, until gauge indicates zero [0] psi/bar.
4. Loosen the reservoir filler cap about one-half turn to provide air venting. **Venting is required for proper operation.**

### 5.2 Pressurizing the Pump

1. Close the oil return-to-tank valve.

**IMPORTANT:** Close the oil return-to-tank valve using hand pressure only. Use of tools may result in damage to the valve and/or valve seat.

2. Move the air-shutoff valve to the OPEN position.
3. SLOWLY increase air pressure (turn air pressure regulator knob clockwise) until pump starts running and hydraulic pressure begins to build.



**CAUTION:** Continuously monitor the hydraulic pressure gauge while pump is running. Pressures can rise faster than anticipated. Be prepared to close the air-shutoff valve immediately when the desired hydraulic pressure is indicated.

**IMPORTANT:** Time required to pressurize the hydraulic circuit will vary, depending on the number and type of tools connected, available air volume, hydraulic hose lengths and other factors.

4. When the desired reading is shown on the hydraulic pressure gauge, stop turning the air regulator knob and move the air-shutoff valve to the CLOSED position. The pump will stop.
5. Turn air pressure regulator knob counter-clockwise until air pressure gauge indicates zero [0] psi/bar.

### 5.3 Depressurizing the Pump

1. Be sure the air-shutoff valve is in the CLOSED position.
2. SLOWLY open the oil return-to-tank valve to relieve hydraulic pressure. Verify that the hydraulic pressure gauge indicates zero [0] psi/bar.

### 5.4 Pump Shut Down and Disconnection

1. Be sure that air-shutoff valve is in the CLOSED position. Turn the air pressure regulator knob counter-clockwise as required, until the air pressure gauge indicates zero [0] psi/bar.
2. SLOWLY open the oil return-to-tank valve (if closed) to purge any remaining hydraulic pressure. Verify that hydraulic pressure gauge indicates zero [0] psi/bar.
3. Disconnect air supply hose from pump air inlet connection.
4. Disconnect oil supply hose from pump oil outlet connection.

5. Fully close the reservoir filler cap.

**IMPORTANT:** Reservoir filler cap must be fully closed when pump is not in use to prevent contaminants from entering the system.

6. Store the pump as described in Section 6.0.

## 6.0 STORAGE

- Be sure that the oil return-to-tank valve is in the OPEN position.
- Check that reservoir filler cap is fully closed.
- Remove the filter bowl. Drain water and remove any debris. Reinstall bowl after draining.
- Store the pump in the upright position in a clean and dry location.
- Place dust covers on hydraulic oil outlet and air inlet connections.
- If the pump will be stored for an extended period of time, apply a suitable rust inhibitor to all exposed unplated metal items.

## 7.0 MAINTENANCE

Refer to Figure 8 for locations of pump maintenance items.

**IMPORTANT:** Take every precaution to guard the pump and oil lines against entry of dirt and grit. Foreign matter in the system may result in pump failure or damage to pump components. Such damage is not covered under warranty.

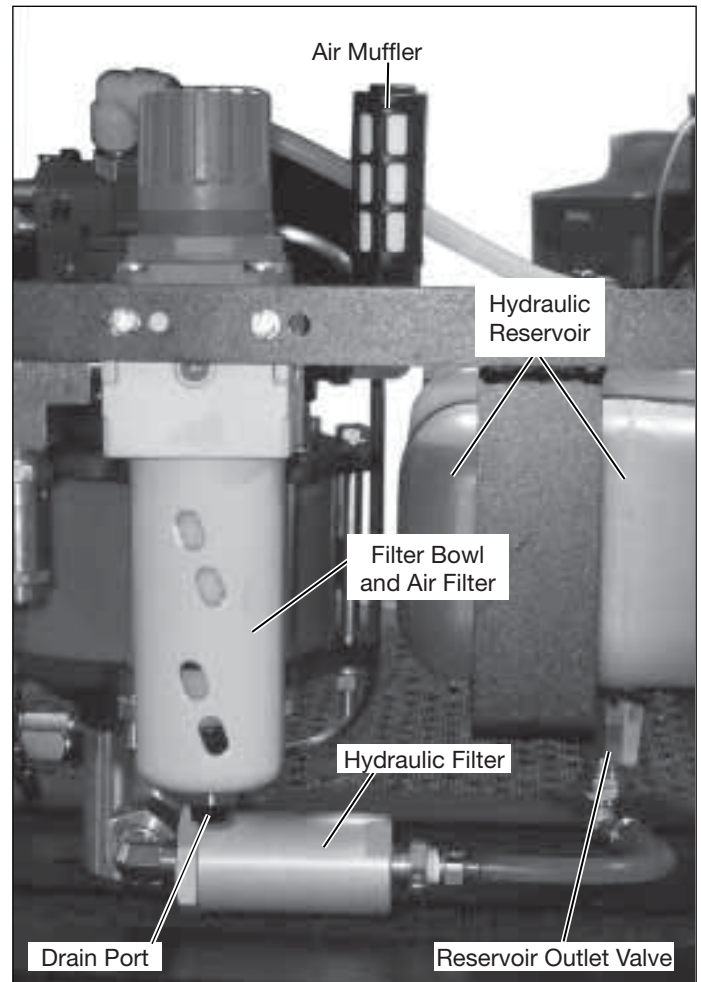


Figure 8, Pump Maintenance Items



**WARNING:** Before beginning any maintenance or repairs, be sure that oil return-to-tank valve is open and that air-shutoff valve is closed. Always disconnect air and hydraulic lines from pump. Verify that gauges indicate zero [0] psi/bar.

### 7.1 Air Filter

Replace the air filter element if it appears dirty, or if there is a noticeable drop in airflow. See Figure 9 for parts diagram.

### 7.2 Filter Bowl Drain Port

The filter bowl will automatically drain itself when the water level rises to approximately 1/3 bowl height. The bowl must be pressurized to at least 22 psi [1,5 bar] for automatic draining to occur. If desired, a drain hose with a 1/8 inch BSPP fitting (user-supplied) can be connected to the bowl drain port.

Replace the entire bowl assembly if the auto-drain feature fails to operate. See Figure 9 for parts diagram.

**IMPORTANT:** To prevent damage to the auto-drain assembly, do not attempt to loosen the drain port nut. The bowl contains no manual drain valve. If manual draining is desired, shut-off air supply and drain any retained water by removing the bowl.

### 7.3 Air Muffler

Periodically inspect the air muffler. Remove any loose dirt or oil residue with a rag. Replace the muffler if it becomes clogged or if there is a noticeable increase in pump noise. See Figure 8 for location.

### 7.4 Oil Change

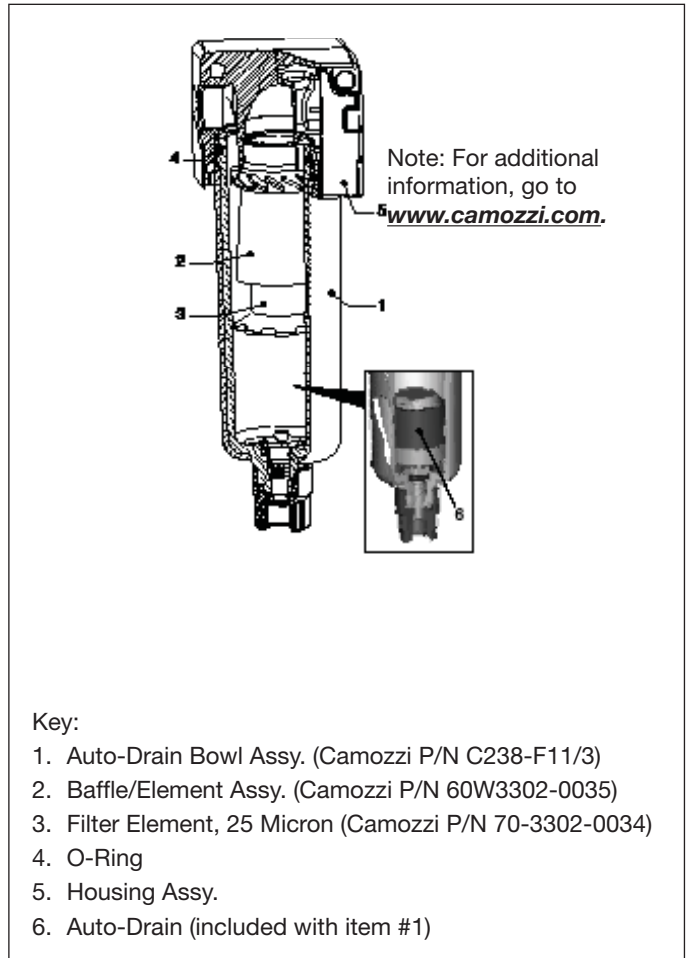
Enerpac HF oil is a crisp blue color. Frequently check oil condition for contamination by comparing pump oil to new Enerpac oil. As a general rule, completely drain and clean the reservoir every 250 hours, or more frequently if used in dirty environments.

Change the oil as described in the following steps. Refer to Figure 8:

1. Close reservoir outlet valve.
2. Disconnect oil hose at hydraulic filter. Place a suitable container under open end of hose.
3. Open the reservoir outlet valve. Allow oil to drain into the container below. Dispose of used oil in accordance with all applicable regulations and laws.
4. Disassemble the hydraulic filter assembly. Clean and reinstall (or replace) the hydraulic filter element. Refer to Section 7.5 for additional information.
5. Reattach oil hose to hydraulic filter. To prevent air entry or leaks, be sure connections are tight.
6. Open reservoir outlet valve. Prime the pump as described in Section 4.4.

### 7.5 Hydraulic Filter

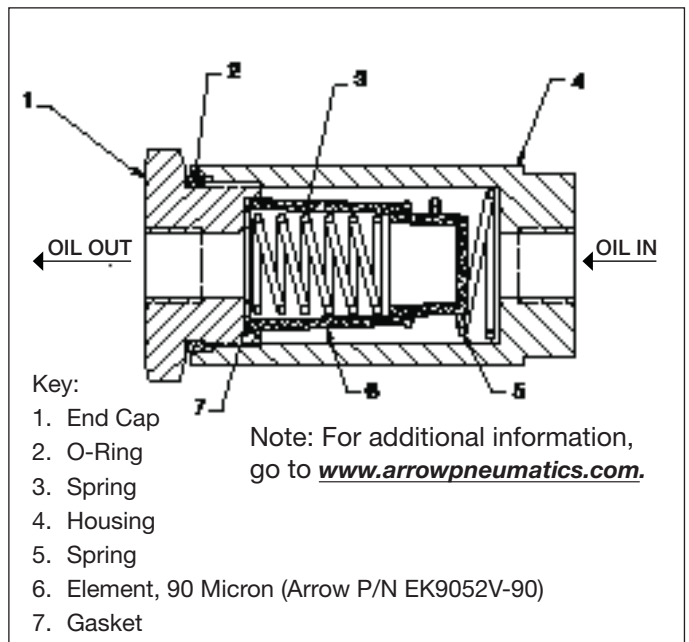
Remove and inspect the hydraulic filter element at every oil change. The element can be cleaned and reused if it is in good condition. However, a new element should be installed if the old element is damaged or has been cleaned more than three times. Check the element if a noticeable drop in pump performance occurs. See Figure 10 for parts diagram.



Key:

1. Auto-Drain Bowl Assy. (Camozzi P/N C238-F11/3)
2. Baffle/Element Assy. (Camozzi P/N 60W3302-0035)
3. Filter Element, 25 Micron (Camozzi P/N 70-3302-0034)
4. O-Ring
5. Housing Assy.
6. Auto-Drain (included with item #1)

Figure 9, Air Filter Bowl Details



Key:

1. End Cap
2. O-Ring
3. Spring
4. Housing
5. Spring
6. Element, 90 Micron (Arrow P/N EK9052V-90)
7. Gasket

Note: For additional information, go to [www.arrowpneumatics.com](http://www.arrowpneumatics.com).

Figure 10, Hydraulic Filter Details

## 8.0 TROUBLESHOOTING

Only qualified hydraulic technicians should service the pump or system components. A system failure is not necessarily the result of a pump malfunction. To determine the cause of the problem, the complete system must be considered in any diagnostic procedure.

The following troubleshooting chart is intended to be used only as an aid in determining if a problem exists. For repair service, contact your Enerpac Authorized Service Center.

Problem	Possible Cause	Action
Pump does not cycle.	No air pressure at supply.	Check air supply.
	Pump air-shutoff valve closed.	Open pump air-shutoff valve.
	Pump air pressure regulator set too low.	Check pressure regulator setting.
	Pump air filter dirty.	Replace air filter element.
	Pump air motor worn or damaged.	Contact Enerpac Authorized Service Center.
	Pump element jammed.	Contact Enerpac Authorized Service Center.
Pump fails to build hydraulic pressure or builds less than desired pressure.	Low air pressure or volume at air supply.	Check air supply.
	Pump air pressure regulator set too low.	Check regulator setting.
	Pump air filter dirty.	Replace air filter element.
	Pump return-to-tank valve open or not fully closed.	Close return-to-tank valve.
	Low oil level in reservoir.	Check oil level. Add oil as required.
	Pump hydraulic filter dirty.	Clean or replace hydraulic filter element.
	Oil leakage at hydraulic hoses, fittings or tools.	Replace leaking items as required.
	Pump return-to-tank valve leaking.	Replace return-to-tank valve.
	Pump air motor worn or damaged.	Contact Enerpac Authorized Service Center.
	Internal leakage in pump element and/or air motor.	Contact Enerpac Authorized Service Center.
Jerky or erratic pump operation.	Low air pressure or volume at air supply.	Check air supply.
	Pump not primed and/or air in hydraulic lines.	Prime the pump as described in Section 4.4.
	Hydraulic oil dirty.	Change hydraulic oil. Use only Enerpac HF oil. Clean or replace hydraulic filter element.
	Pump element worn or damaged.	Contact Enerpac Authorized Service Center.
Excessive moisture in pump exhaust.	Excessive water and/or lubricant in supply air.	Reduce moisture in air. Install water separator. <b>Note:</b> Pump components are self-lubricating. Lubricated air is not required.
	Pump air filter bowl needs draining.	Check bowl for water. Drain as required.
	Pump air filter dirty.	Replace air filter element.
	Internal leakage in pump element and/or air motor.	Contact Enerpac Authorized Service Center.



L2743 Rev. A 06/10

## 1.0 INSTRUCTIONS IMPORTANTES RELATIVES À LA RÉCEPTION

Inspecter tous les composants pour vous assurer qu'ils n'ont subi aucun dommage en cours d'expédition. Les dommages subis en cours de transports ne sont pas couverts par la garantie. S'il sont abîmés, aviser immédiatement le transporteur, qui est responsable des frais de réparation et de remplacement résultant de dommages en cours de transport.

## 2.0 SÉCURITÉ

### 2.1 CONSIGNES DE SECURITE HYDRAULIQUES GENERALES



Lire attentivement toutes les instructions et mises en garde et tous les avertissements. Suivre toutes les précautions pour éviter d'encourir des blessures personnelles ou de provoquer des dégâts matériels durant le fonctionnement du système. Enerpac ne peut pas être tenue responsable de dommages ou blessures résultant de l'utilisation risquée du produit, d'un mauvais entretien ou d'une application incorrecte du produit et du système. En cas de doute sur les précautions ou les applications, contacter Enerpac. En l'absence d'une formation aux mesures de sécurité à prendre en présence de liquides sous haute pression, consulter un centre de distribution ou de réparation Enerpac pour suivre un cours gratuit sur ce thème.

Respecter les mises en garde et avertissements suivants sous peine de provoquer des dégâts matériels et des blessures personnelles.

Une mise en garde **ATTENTION** sert à indiquer des procédures d'utilisation et de maintenance correctes qui visent à empêcher l'endommagement voire la destruction du matériel ou d'autres dégâts.

Un **AVERTISSEMENT** indique un danger potentiel qui exige la prise de mesures particulières visant à écarter tout risque de blessure.

La mention **DANGER** n'est utilisée que lorsqu'une action ou un acte de négligence risque de causer des blessures graves, voire mortelles.



**AVERTISSEMENT** : Porter un équipement de protection personnelle adéquat pour utiliser un appareil hydraulique.



**Ne jamais** régler la soupape de retour (uniquement les pompes équipées de soupape de retour réglable par l'utilisateur) à une pression plus élevée que la pression nominale maximum de la pompe. Un réglage plus élevé peut entraîner des dommages à l'équipement ou des blessures corporelles.



**AVERTISSEMENT** : La pression de fonctionnement du système ne doit pas dépasser la pression nominale du composant du système affichant la plus petite valeur. Installer des manomètres dans le système pour surveiller la pression de fonctionnement. Ils permettent de vérifier ce qui se passe dans le système.



**ATTENTION** : Éviter d'endommager les tuyaux hydrauliques. Éviter de les plier et de les tordre en les mettant en place. Un tuyau plié ou tordu entraînera un fort retour de pression. Les plis et coudes prononcés endommageront par ailleurs l'intérieur du tuyau, provoquant son usure précoce.



**Ne pas** faire tomber d'objets lourds sur le tuyau. Un fort impact risque de causer des dégâts intérieurs (torons métalliques). L'application d'une pression sur un tuyau endommagé risque d'entraîner sa rupture.



**IMPORTANT** : Ne pas soulever le matériel hydraulique en saisissant ses tuyaux ou ses raccords articulés. Utiliser la poignée de transport ou procéder d'une autre manière sûre.



**ATTENTION** : Garder le matériel hydraulique à l'écart de flammes et d'une source de chaleur. Une forte température amollira les garnitures et les joints et provoquera par conséquent des fuites. La chaleur affaiblit également les matériaux et les garnitures du tuyau. Pour une performance maximale, ne pas exposer le matériel à une température supérieure ou égale à 65 °C (150 °F). Protéger tuyaux et vérins de projections de soudure.



**DANGER**: Ne pas manipuler les tuyaux sous pression. L'huile sous pression qui risque de s'en échapper peut pénétrer dans la peau et provoquer des blessures graves. En cas d'injection d'huile sous la peau, contacter immédiatement un médecin.



**IMPORTANT** : Le matériel hydraulique doit uniquement être réparé par un technicien hydraulique qualifié. Pour toute réparation, contacter le centre de réparation ENERPAC agréé le plus proche. Pour assurer la validité de la garantie, n'utiliser que de l'huile ENERPAC.



**AVERTISSEMENT** : Remplacer immédiatement les pièces usées ou endommagées par des pièces ENERPAC authentiques. Les pièces de qualité standard se casseront et provoqueront des blessures et des dégâts matériels. Les pièces ENERPAC sont conçues pour s'ajuster parfaitement et résister à de fortes charges.

## 2.2 ATP-1500 Consignes de sécurité



**Avertissement :** Le non respect des consignes suivantes peut entraîner des blessures graves et/ou fatales !

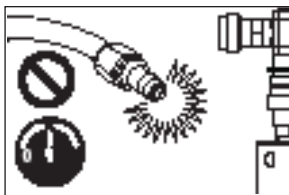
- Toujours porter une protection oculaire, des gants et des bottes lors de l'utilisation de la pompe.
- L'équipement hydraulique haute pression peut être très dangereux s'il n'est pas employé correctement. Maintenir à distance des fuites de carburant à haute pression. Le liquide s'échappant d'un équipement extrêmement pressurisé a suffisamment de puissance pour pénétrer la peau, ce qui peut empoisonner le sang. Dans le cas d'un tel accident, demander IMMEDIATEMENT un avis médical.

- Ne jamais essayer de débrancher un raccord hydraulique lorsqu'il est sous pression.

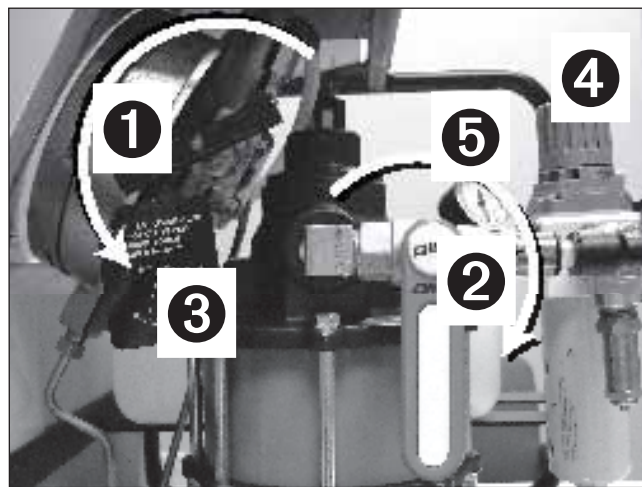


- Ne jamais essayer de réparer des fuites quand le système est pressurisé. Vérifier que le manomètre du système indique zéro (0) bar/psi avant de procéder à toute réparation.

- Ne jamais pressuriser le dos d'un raccord mâle déconnecté. La défaillance d'un raccord lorsqu'il est sous pression peut provoquer des blessures graves.



- Faire attention lors de la mise sous pression du système. La pression peut augmenter plus rapidement que prévu. Surveiller en permanence le manomètre pendant la pressurisation. Être prêt à arrêter immédiatement la pressurisation à tout moment.
- Avant l'utilisation, s'assurer que les raccords à déclenchement rapide sont correctement branchés en tirant physiquement dessus.
- N'autoriser qu'un personnel expérimenté et formé à utiliser la pompe. Faire particulièrement attention à ne pas démarrer la pompe de manière accidentelle.
- Ne jamais laisser la pompe pressurisée sans surveillance. Si vous devez quitter le secteur, fermez la vanne d'isolement d'air et assurez-vous que la vanne de décharge (retour au réservoir) de la pompe est complètement ouverte. Tourner la molette du régulateur de pression d'air dans le sens inverse des aiguilles d'une montre jusqu'à ce que le manomètre indique zéro [0] bar/psi.
- Ne jamais dépasser la pression de fonctionnement de sûreté pour les flexibles hydrauliques, les outils ou la pompe. La pression de fonctionnement maximale admissible (hydraulique) pour la pompe ATP-1500 est de [1 500 bars] 21 755 psi.



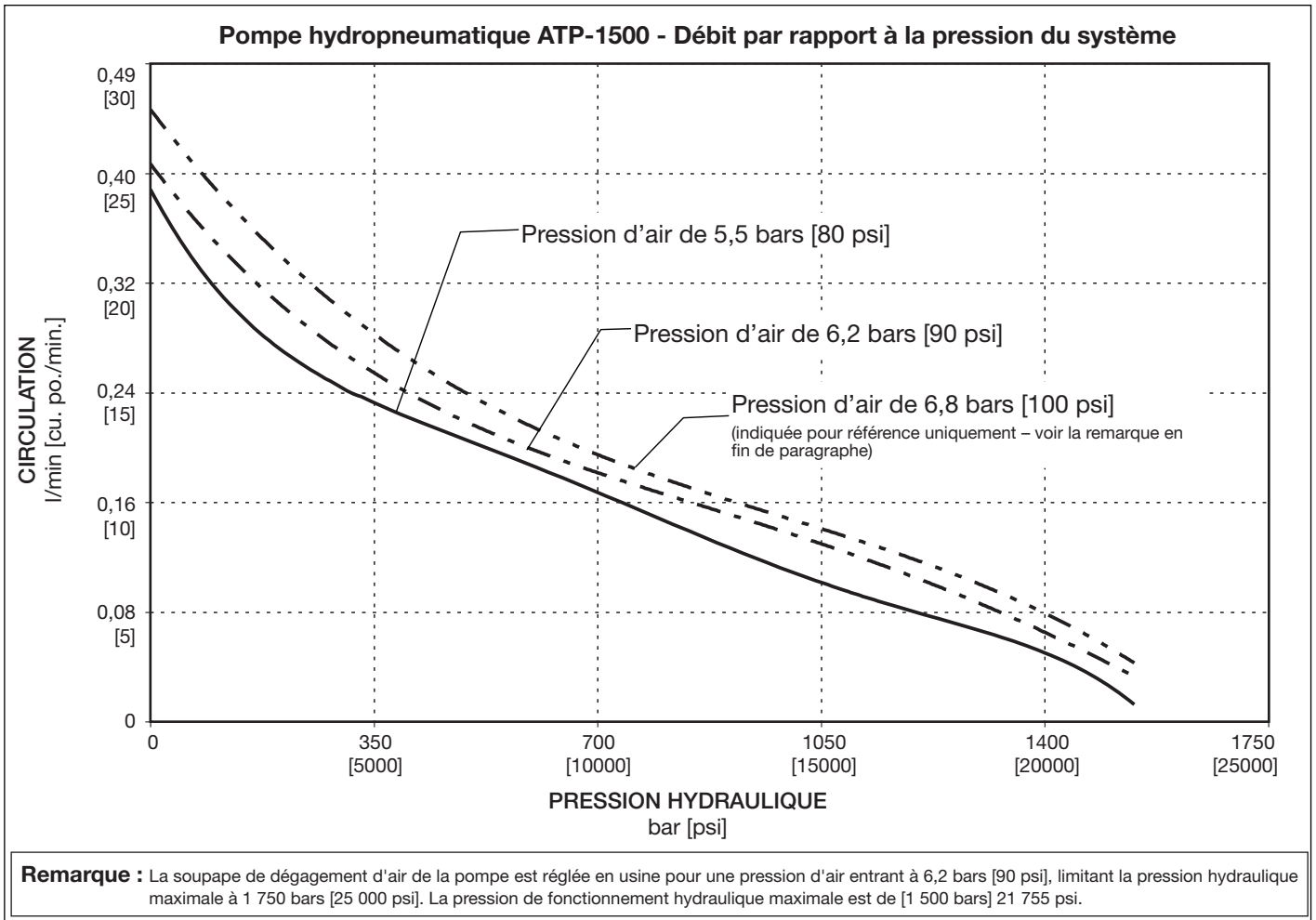
Clé:	③ Vanne de retour au réservoir
① OUVERT	④ Régulateur de pression d'air
② FERMÉ	⑤ Vanne d'isolement d'air

Figure 1, Avant de brancher l'alimentation en air

- Avant de brancher l'alimentation en air : S'assurer que la vanne d'isolement d'air (marche-arrêt) est fermée (c.-à-d. la poignée est en position verticale) et que la vanne de retour au réservoir d'huile est ouverte. Voir figure 1.
- Vérifier le manomètre après avoir branché l'alimentation d'air. Si une pression est indiquée, tourner la molette du régulateur de pression d'air dans le sens inverse des aiguilles d'une montre jusqu'à ce que le manomètre indique zéro [0] bar/psi.
- Toujours pressuriser la pompe en commençant par une pression d'air de zéro [0] bar/psi et en l'augmentant. Tourner LENTEMENT la molette du régulateur de pression d'air pour empêcher des augmentations soudaines et imprévues de la pression hydraulique.
- Une fois que la pression hydraulique souhaitée est atteinte, toujours fermer la vanne d'isolement d'air et tourner la molette du régulateur de pression d'air dans le sens inverse des aiguilles d'une montre jusqu'à ce que le manomètre indique zéro [0] bar/psi.
- Toujours dépressuriser avant de laisser le système sans surveillance

### 3.0 SPÉCIFICATIONS

#### 3.1 Caractéristiques complètes

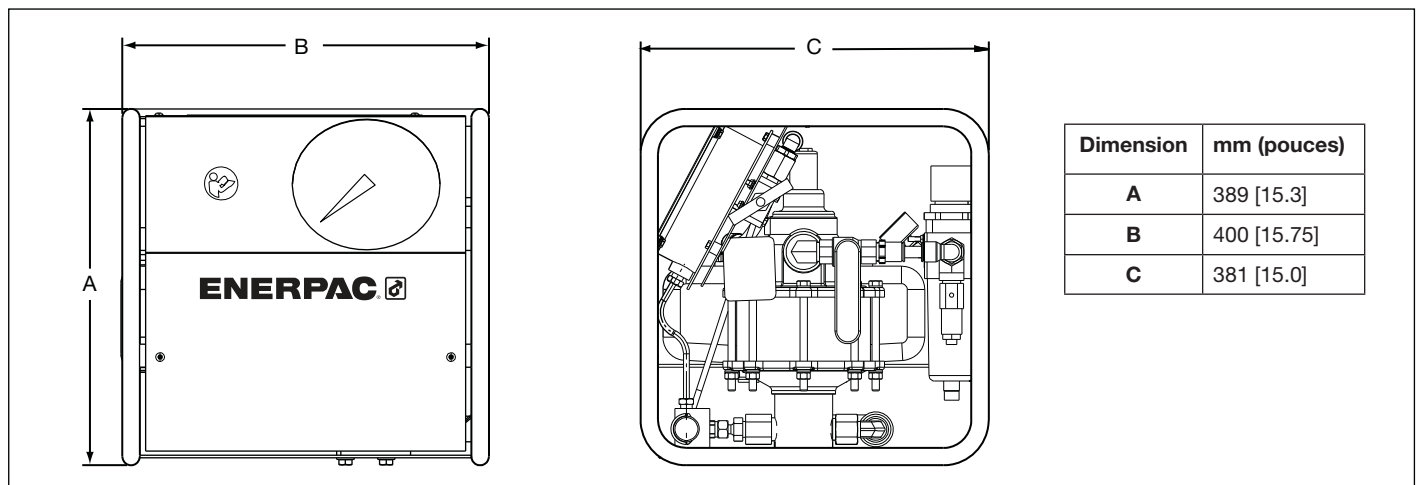


#### 3.2 Caractéristiques techniques

Plage de température	Plage de viscosité de l'huile	Type d'huile hydraulique (conseillé)	Matériaux d'étanchéité	Pression hyd. max. (en fonctionnement)	Niveau sonore	Consommation d'air (type)*	Poids (huile comprise)
-29 to +50°C [-20 to +140°F]	[15 - 25 C.S.T.] 150 - 165 S.U.S.	Enerpac HF	Buna et Viton.	1500 bar [21,755 psi]	70 dBA Max.	113 L/Min [21 SCFM]	32 Kg [54 lbs.]

\*La consommation réelle d'air variera en fonction de l'application. Se référer à la Section 4.3 pour plus d'informations.

#### 3.3 Dimensions extérieures



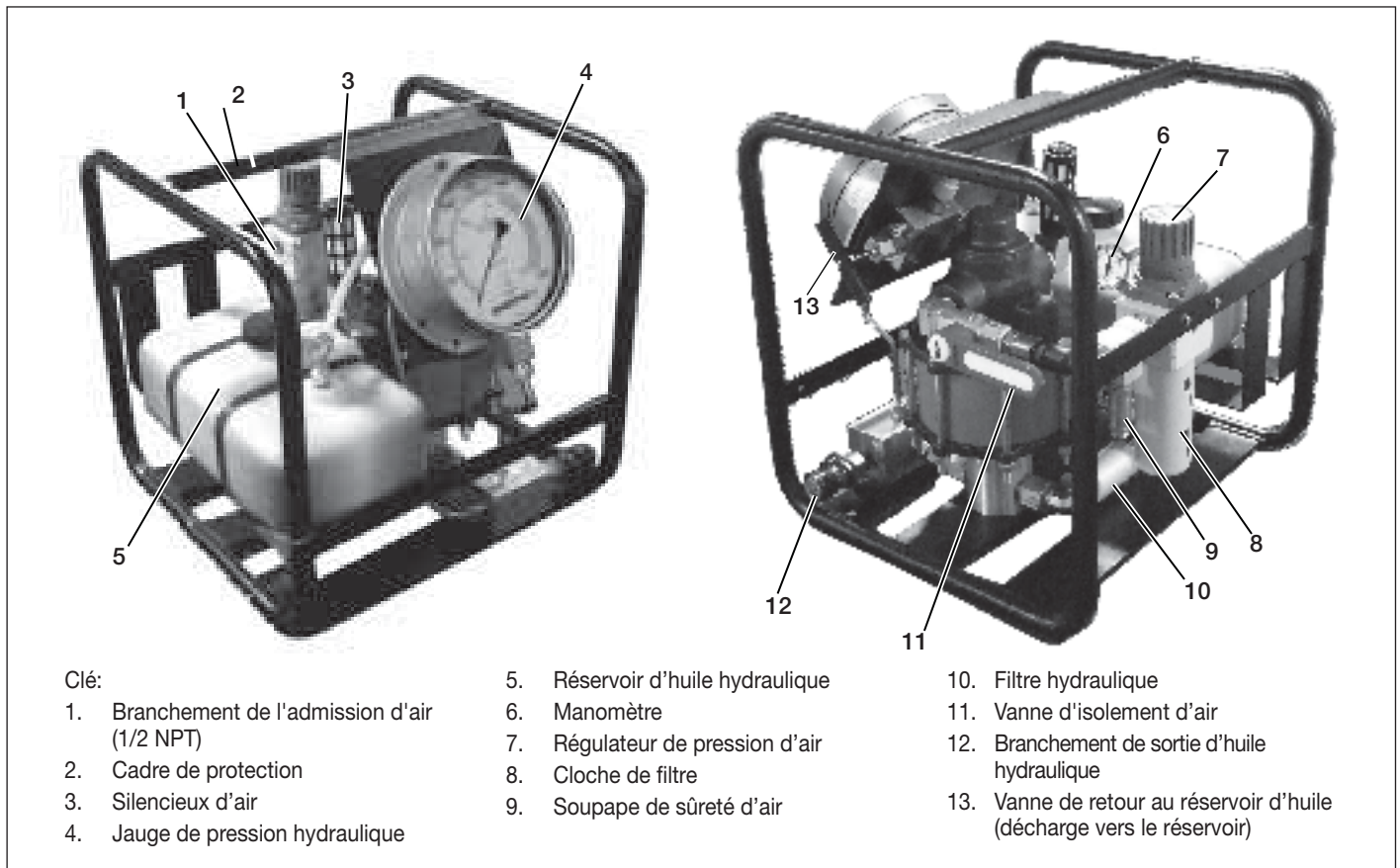


Figure 2, Pump Features and Components (Note: guards and covers removed for illustrative purposes only.)

## 4.0 MONTAGE DE LA POMPE

### 4.1 Réservoir d'huile

Vérifier le niveau d'huile de la pompe avant sa mise en route. Avant de vérifier le niveau d'huile :

- S'assurer que la vanne d'isolement d'air EST FERMÉE et que la vanne de retour au réservoir de l'huile est OUVERTE. Voir figure 1.
- S'assurer que la jauge de pression hydraulique de la pompe et que le manomètre indiquent tous les deux zéro [0] bar/psi.

Le réservoir est PLEIN quand le niveau d'huile atteint le sommet du réservoir comme illustré à la Figure 3. La capacité en huile est approximativement de [3,8 litres] 1 gallon US. Utiliser l'huile Enerpac de type HF.

**IMPORTANT:** Ajouter de l'huile uniquement quand tous les composants du système sont entièrement rétractés, sinon le système contiendra plus d'huile que le réservoir ne peut en accueillir.

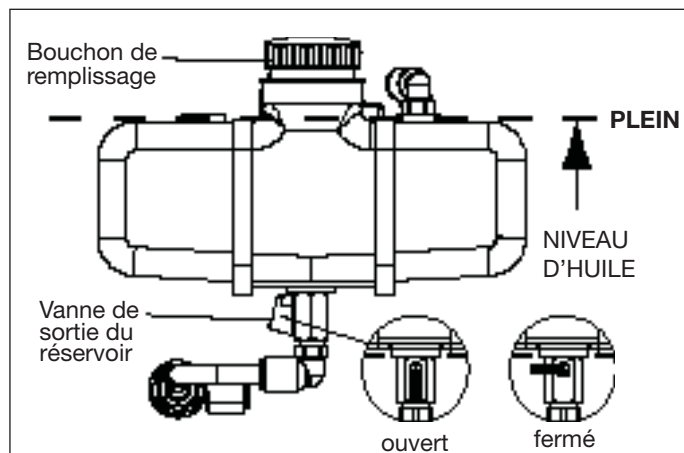


Figure 3, Réservoir d'huile hydraulique

### 4.2 Branchements d'air et hydrauliques



**MISE EN GARDE :** Avant de brancher l'alimentation en air, s'assurer que la vanne d'isolement d'air (marche-arrêt) est fermée (c.-à-d. la poignée est en position verticale) et que la vanne de retour au réservoir d'huile est ouverte. Voir la Figure 1. De même, s'assurer que le régulateur de pression d'air est parfaitement éteint, de manière à ce que le manomètre de la pompe indique zéro [0] psi.

Procéder aux raccordements nécessaires :

- L'arrivée d'air de la pompe est située sur le régulateur de pression d'air. Il s'agit d'un raccord 1/2" NPT standard.
- La sortie d'huile hydraulique de la pompe est un raccord femelle 1/4" BSPP. Sur les pompes utilisées dans les applications de verrouillage, un raccord femelle à déclenchement rapide est habituellement installé dans le branchement BSPP.

### 4.3 Consommation d'air

La consommation d'air de la pompe est approximativement de [113 l/min] 21 SCFM d'air ambiant pour une pression de décharge d'huile de [6,8 bars] 100 psi. Pour des pressions hydrauliques supérieures et des pressions d'air inférieures, la consommation en air sera réduite proportionnellement aux débits indiqués.

**IMPORTANT :** La pression d'alimentation en air de la pompe ne doit pas dépasser [6,2 bars] 90 psi statique.



**MISE EN GARDE:** La soupape de dégagement de pression d'air de la pompe est réglée en usine à environ [6,2 bars] 90 psi. Afin d'éviter toute blessure et de ne pas abîmer l'équipement, ne pas essayer d'augmenter le réglage de la soupape de dégagement.

Utiliser uniquement un air comprimé filtré et sec. L'utilisation d'un séparateur d'eau est fortement conseillée.

Les composants internes de la pompe sont autolubrifiants. Il n'est PAS nécessaire d'utiliser un air lubrifié.

#### 4.4 Amorçage de la pompe (désaération)

**IMPORTANT:** Les pompes neuves DOIVENT être amorcées AVANT le démarrage initial. Suivre la procédure d'amorçage telle qu'elle est décrite dans les étapes suivantes. Se référer aux figures 4 à 7.

1. S'assurer que le réservoir hydraulique est rempli avec l'huile qui convient et que la vanne de sortie du réservoir est ouverte. Reportez vous à la Section 4,1.
2. S'assurer que la vanne d'isolement d'air EST FERMÉE et que la vanne de retour au réservoir de l'huile est OUVERTE.
3. Desserrer le bouchon de remplissage du réservoir de près d'un demi-tour pour laisser une aération. L'aération est nécessaire au bon fonctionnement.

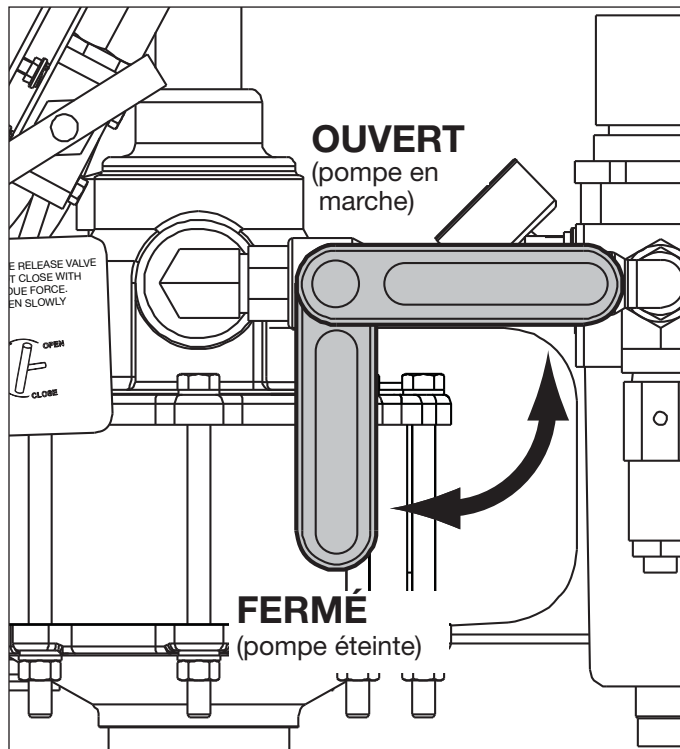


Figure 4, Vanne d'isolement d'air

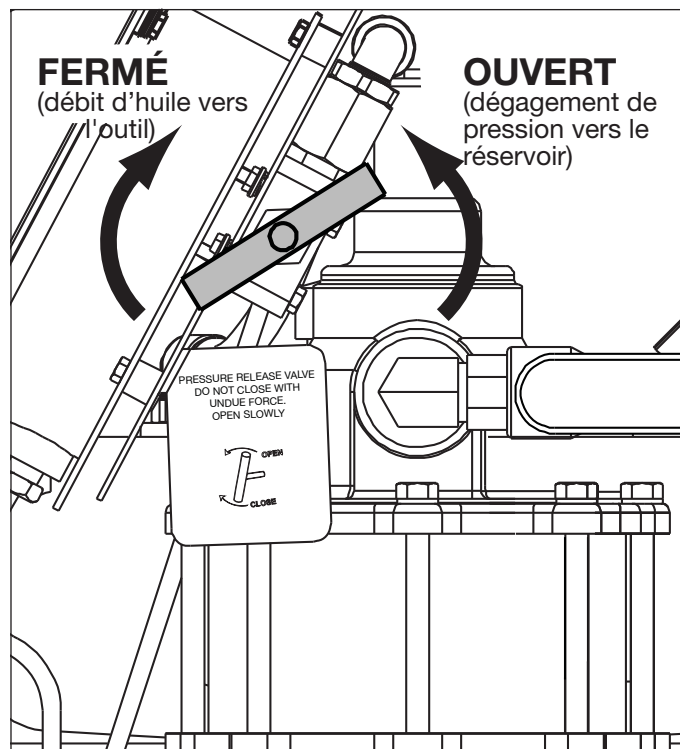


Figure 5, Vanne de retour au réservoir d'huile

4. Connecter le flexible d'alimentation en air à l'entrée d'air de la pompe.
5. Lorsque la vanne d'isolement d'air est FERMÉE, activer la source d'air et vérifier le manomètre. Si une pression est indiquée, tourner la molette du régulateur de pression d'air dans le sens inverse des aiguilles d'une montre jusqu'à ce que le manomètre indique zéro [0] bar/psi.

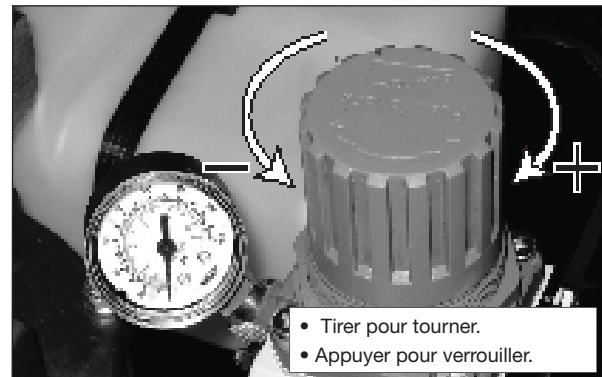


Figure 6, Manomètre et régulateur

6. Brancher une extrémité du flexible hydraulique de [1 m] 3 pieds à la sortie d'huile de la pompe.
7. Installer un raccord à déclenchement rapide à extrémité ouverte sur l'autre extrémité du flexible.
8. Dévisser le bouchon de remplissage du réservoir. Placer l'extrémité du flexible avec le raccord ouvert à l'intérieur du réservoir. Ceci permettra le retour de l'huile pendant l'amorçage.
9. Fermer la vanne de retour au réservoir d'huile. Placer la vanne de dégagement d'air en position OUVERTE.
10. À l'aide du régulateur de pression d'air, augmenter LENTEMENT la pression d'air de [0,68 à 1,0 bar] 0 psi à 10-15 psi pour mettre la pompe en route.
11. Vérifier que l'huile revient vers le réservoir par le flexible. Augmenter la pression d'air à [2,75 bars] 40 psi jusqu'à ce que tout l'air soit purgé du système (aucune bulle visible dans le filet d'huile de retour).
12. Placer la vanne de dégagement d'air en position FERMÉE. La pompe s'arrêtera.
13. Tourner la molette du régulateur de pression d'air dans le sens inverse des aiguilles d'une montre jusqu'à ce que le manomètre indique zéro [0] bar/psi.
14. Ouvrir la vanne de retour au réservoir d'huile pour relâcher la pression hydraulique résiduelle. Vérifier que la jauge de pression hydraulique indique zéro [0] bar/psi.



Figure 7, Jauge de pression hydraulique

15. Enlever le flexible d'huile de [1 m] 3 pieds du réservoir. Revisser le bouchon de remplissage du réservoir.
16. Débrancher le flexible de retour d'huile de la sortie d'huile de la pompe.

## 5.0 UTILISATION DE LA POMPE

Faire fonctionner la pompe comme décrit dans les sections 5.1 à 5.4. Se référer aux figures 4 à 7.

**IMPORTANT:** Les pompes neuves doivent être amorcées avant leur utilisation. Se référer à la Section 4.4.

### 5.1 Avant de pressuriser la pompe


1. S'assurer que la vanne d'isolement d'air EST FERMÉE et que la vanne de retour au réservoir de l'huile est OUVERTE.
2. Préparer la pompe pour son utilisation. Vérifier le niveau d'huile et procéder aux branchements de flexibles nécessaires. Se référer aux sections 4.1, 4.2 et 4.3.
3. Tandis que la vanne d'isolement d'air reste FERMÉE, activer la source d'air et vérifier le manomètre. Si une pression est indiquée, tourner la molette du régulateur de pression d'air dans le sens inverse des aiguilles d'une montre jusqu'à ce que le manomètre indique zéro [0] bar/psi.
4. Desserrer le bouchon de remplissage du réservoir de près d'un demi-tour pour laisser une aération. **L'aération est nécessaire au bon fonctionnement.**

### 5.2 Pressuriser la pompe

1. Fermer la vanne de retour au réservoir d'huile.

**IMPORTANT:** Fermer la vanne de retour au réservoir d'huile uniquement en exerçant une pression manuelle. L'utilisation d'outils peut abîmer la vanne et/ou son siège.

2. Placer la vanne de dégagement d'air en position OUVERTE.
3. Augmenter LENTEMENT la pression d'air (tourner la molette du régulateur de pression d'air dans le sens des aiguilles d'une montre) jusqu'à ce que la pompe commence à fonctionner et que la pression hydraulique commence à augmenter.

 **ATTENTION :** Contrôler en permanence la jauge de pression hydraulique lorsque la pompe est en marche. Les pressions peuvent augmenter plus rapidement que prévu. Être prêt à fermer immédiatement la vanne d'isolement d'air lorsque la pression hydraulique souhaitée est indiquée.

**IMPORTANT:** Le temps nécessaire à la pressurisation du circuit hydraulique varie selon le nombre et le type d'outils connectés, le volume d'air disponible, les longueurs de flexibles hydrauliques et d'autres facteurs.

4. Quand la mesure souhaitée est indiquée sur la jauge de pression hydraulique, arrêter de tourner la molette du régulateur d'air et placer la vanne d'isolement d'air en position FERMÉE. La pompe s'arrêtera.
5. Tourner la molette du régulateur de pression d'air dans le sens inverse des aiguilles d'une montre jusqu'à ce que le manomètre indique zéro [0] bar/psi.

### 5.3 Dépressuriser la pompe

1. S'assurer que la vanne de dégagement d'air est en position FERMÉE.
2. Ouvrir LENTEMENT la vanne de retour au réservoir d'huile pour relâcher la pression hydraulique résiduelle. Vérifier que la jauge de pression hydraulique indique zéro [0] bar/psi.

### 5.4 Arrêt de la pompe et déconnexion

1. S'assurer que la vanne de dégagement d'air est en position FERMÉE. Tourner la molette du régulateur de pression d'air dans le sens inverse des aiguilles d'une montre jusqu'à ce que le manomètre indique zéro [0] bar/psi.
2. Ouvrir LENTEMENT la vanne de retour au réservoir d'huile (si elle est fermée) pour purger toute pression hydraulique résiduelle. Vérifier que la jauge de pression hydraulique indique zéro [0] bar/psi.
3. Débrancher le flexible d'alimentation en air de l'entrée d'air de la pompe.
4. Débrancher le flexible d'alimentation en huile de l'entrée d'huile de la pompe.

5. Fermer complètement le bouchon de remplissage du réservoir.

**IMPORTANT:** RLe bouchon de remplissage du réservoir doit être complètement fermé quand la pompe n'est pas utilisée pour empêcher des contaminants de pénétrer dans le système.

6. Stocker la pompe comme décrit dans la Section 6.0.

## 6.0 STOCKAGE

- S'assurer que la vanne de retour au réservoir d'huile est en position OUVERTE.
- S'assurer que le bouchon de remplissage du réservoir est complètement fermé.
- Enlever la cloche du filtre. Purger l'eau et enlever tous les débris. Réinstaller la cloche après la vidange.
- Stocker la pompe en position verticale dans un endroit propre et sec.
- Placer des couvercles de protection sur la sortie d'huile hydraulique et les raccords d'arrivée d'air.
- Si la pompe est rangée pour une période prolongée, appliquer un antirouille adapté sur tous les éléments métalliques non plaqués exposés.

## 7.0 ENTRETIEN

Se référer à la Figure 8 pour l'emplacement des articles d'entretien de la pompe.

**IMPORTANT:** Prendre toutes les précautions nécessaires pour protéger la pompe et les durites d'huile contre la poussière et les grenailles. La présence de matériaux étrangers au sein du système peut provoquer une panne de la pompe ou abîmer les composants de cette dernière. De tels dommages ne sont pas couverts par la garantie.

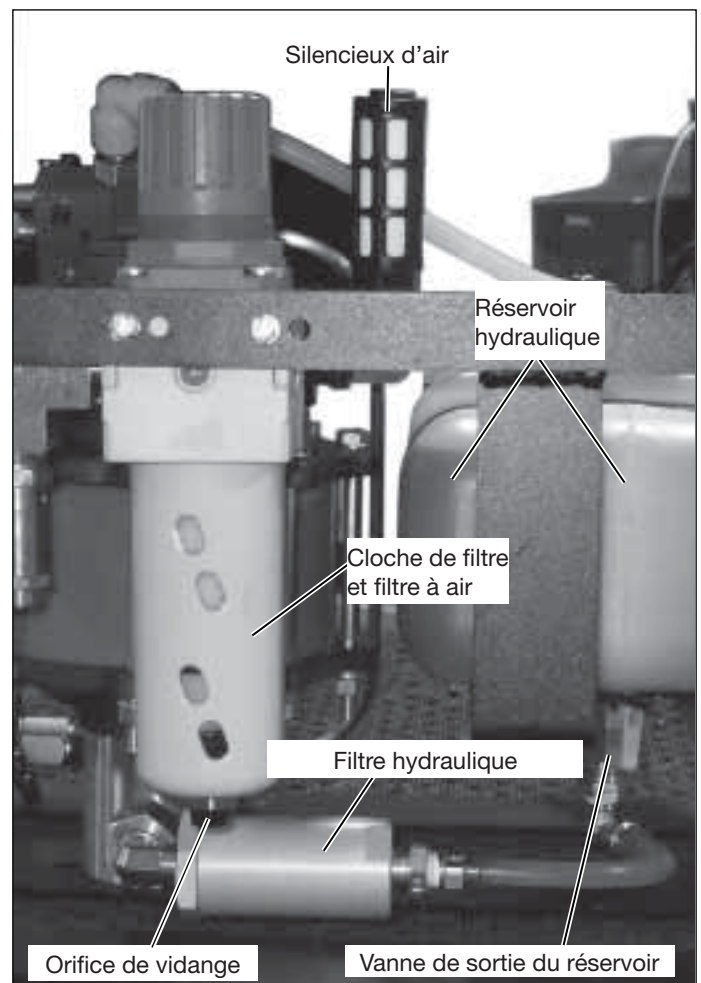


Figure 8, Éléments d'entretien de la pompe



**MISE EN GARDE :** Avant d'entreprendre toute activité d'entretien ou de réparation, s'assurer que la vanne de retour au réservoir d'huile est ouverte et que la vanne d'isolement d'air est fermée. Toujours débrancher les conduites d'air et hydrauliques de la pompe. Vérifier que les jauges indiquent zéro [0] bar/psi.

### 7.1 Filtre à air

Remplacer le filtre à air s'il semble sale ou si une chute de débit d'air est constatée. Voir la Figure 9 pour le schéma des pièces.

### 7.2 Orifice de vidange de la cloche de filtre

La cloche de filtre se purgera automatiquement quand le niveau d'eau s'élèvera à environ 1/3 de la hauteur de la cloche. La cloche doit être pressurisée à au moins [1,5 bars] 22 psi pour que la vidange se fasse automatiquement. Si nécessaire, il est possible de brancher un flexible de vidange équipé d'un raccord BSPP de [3 mm] 1/8 po. (fourni par l'utilisateur) sur l'orifice de vidange de la cloche.

Remplacer l'ensemble de la cloche si le dispositif de purge automatique ne fonctionne pas. Voir la Figure 9 pour le schéma des pièces.

**IMPORTANT:** Pour ne pas abîmer le dispositif de purge automatique, ne pas essayer de desserrer l'écrou de l'orifice de vidange. La cloche n'est pas équipée d'un robinet de vidange manuel. Si une vidange manuelle est souhaitable, éteindre l'alimentation en air et purger l'eau retenue en enlevant la cloche.

### 7.3 Silencieux d'air

Inspecter régulièrement le silencieux d'air. Utiliser un chiffon pour enlever tout résidu d'huile ou de saleté. Remplacer le silencieux s'il se bouche ou si vous constatez que la pompe est plus bruyante. Voir Figure 8 pour son emplacement.

### 7.4 Remplacement de l'huile

L'huile HF d'Energac est de couleur bleue vif. Vérifier fréquemment l'état de l'huile pour écarter tout signe de contamination en comparant l'huile de la pompe à une huile Energac neuve. En règle générale, il est nécessaire de vidanger entièrement et de nettoyer le réservoir toutes les 250 heures, ou plus fréquemment en cas d'utilisation dans des environnements sales.

Changer l'huile comme décrit dans les étapes suivantes : Se référer à la Figure 8 :

1. Fermer la vanne de sortie du réservoir.
2. Débrancher le flexible d'huile du filtre hydraulique. Placer un récipient approprié en dessous des extrémités de flexible ouvertes.
3. Ouvrir la vanne de sortie du réservoir. Laisser l'huile se vidanger dans le récipient placé en dessous. Se débarrasser de l'huile usagée conformément à toutes les lois et réglementations en vigueur.
4. Démontez le filtre hydraulique. Nettoyer et réinstaller (ou remplacer) le filtre hydraulique. Se référer à la Section 7,5 pour plus d'informations.
5. Rebrancher le flexible d'huile sur le filtre hydraulique. S'assurer que les raccords sont bien serrés afin d'éviter que l'air ne pénètre ou qu'une fuite ne se produise.
6. Ouvrir la vanne de sortie du réservoir. Amorcer la pompe comme décrit dans la Section 4.4.

### 7.5 Filtre hydraulique

Enlever et inspecter le filtre hydraulique à chaque changement

d'huile. Le filtre peut être nettoyé et à nouveau utilisé s'il est en bon état. Cependant, il sera nécessaire d'installer un nouveau filtre si l'ancien est abîmé ou s'il a été nettoyé plus de trois fois. Vérifier le filtre si une baisse de la performance de la pompe est constatée. Voir la Figure 10 pour le schéma des pièces.

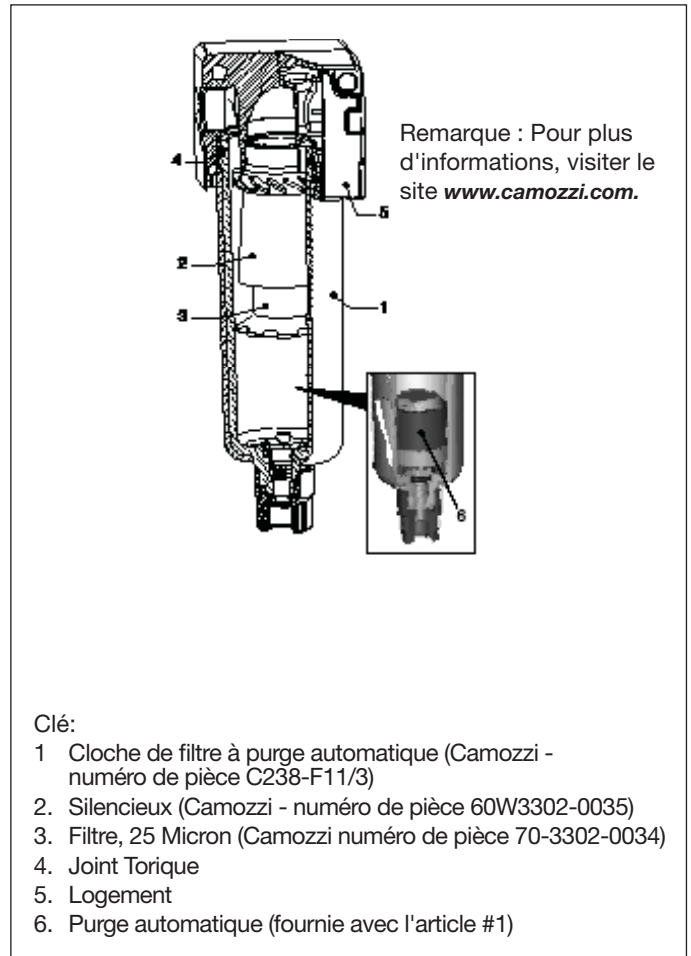


Figure 9, Air Filter Bowl Details

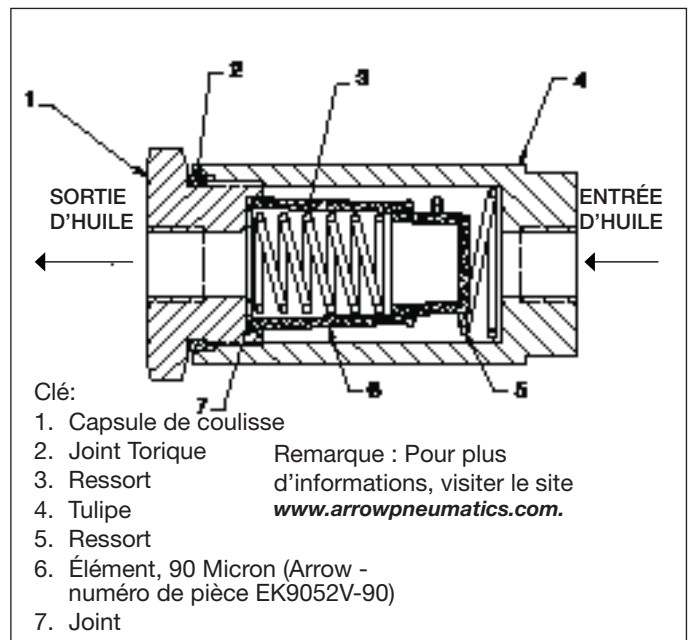


Figure 10, Détails du filtre hydraulique

## 8.0 DÉPANNAGE

Seuls des techniciens hydrauliques qualifiés sont habilités à intervenir pour entretenir la pompe ou les composants du système. Une panne du système n'est pas nécessairement le résultat d'un dysfonctionnement de la pompe. Pour déterminer l'origine du problème, le système complet doit être pris en compte lors de la procédure de diagnostic.

Le tableau de dépannage suivant n'est qu'un outil servant à déterminer si un problème existe. Pour le service de réparation, contactez votre Centre de maintenance Enerpac agréé.

Problème	Cause possible	Action
La pompe ne tourne pas.	Aucune pression d'air au niveau de l'alimentation.	Vérifier l'alimentation d'air.
	La vanne d'isolement d'air de la pompe est fermée.	Ouvrir la vanne d'isolement d'air de la pompe.
	Le réglage du régulateur de pression d'air de la pompe est trop bas.	Vérifier le réglage du régulateur de pression.
	Le filtre à air de la pompe est sale.	Remplacer le filtre à air.
	Le moteur à air de la pompe est usé ou abîmé.	Contactez le centre d'entretien Enerpac agréé.
	Élément de pompe bloqué.	Contactez le centre d'entretien Enerpac agréé.
La pompe n'accumule pas la pression hydraulique ou l'accumulation est inférieure à la pression souhaitée.	Pression ou volume d'air faible au niveau de l'alimentation en air.	Vérifier l'alimentation d'air.
	Le réglage du régulateur de pression d'air de la pompe est trop bas.	Vérifier le réglage du régulateur.
	Le filtre à air de la pompe est sale.	Remplacer le filtre à air.
	La vanne de retour au réservoir d'huile est ouverte ou partiellement fermée.	Fermer la vanne de retour au réservoir.
	Niveau d'huile bas dans le réservoir.	Vérifier le niveau d'huile. Ajouter de l'huile comme exigé.
	Filtre hydraulique de la pompe encrassé.	Nettoyer ou remplacer le filtre hydraulique.
	Fuite d'huile au niveau des flexibles hydrauliques, des raccords ou des outils.	Remplacer les éléments qui fuient.
	Fuite de la vanne de retour au réservoir de la pompe.	Remplacer la vanne de retour au réservoir.
	Le moteur à air de la pompe est usé ou abîmé.	Contactez le centre d'entretien Enerpac agréé.
	Fuite interne dans l'élément de pompe et/ou le moteur d'air.	Contactez le centre d'entretien Enerpac agréé.
Fonctionnement saccadé ou irrégulier de la pompe.	Pression ou volume d'air faible au niveau de l'alimentation en air.	Vérifier l'alimentation d'air.
	La pompe n'est pas amorcée et/ou il y a de l'air dans les conduites hydrauliques.	Amorcer la pompe comme décrit dans la Section 4.4.
	Huile hydraulique encrassée.	Changer l'huile hydraulique. Utiliser uniquement de l'huile HF Enerpac. Nettoyer ou remplacer le filtre hydraulique.
	Élément de pompe usé ou abîmé.	Contactez le centre d'entretien Enerpac agréé.
Taux d'humidité excessif dans l'échappement de la pompe.	Excès d'eau et/ou de lubrifiant dans l'air d'alimentation.	Réduire l'humidité de l'air. Installer un séparateur d'eau. <b>Remarque :</b> Les composants de la pompe sont autolubrifiants. L'air lubrifié n'est pas nécessaire.
	La cloche de filtre à air de la pompe doit être purgée.	Vérifier qu'il n'y a pas d'eau dans la cloche. Purger au besoin.
	Le filtre à air de la pompe est sale.	Remplacer le filtre à air.
	Fuite interne dans l'élément de pompe et/ou le moteur d'air.	Contactez le centre d'entretien Enerpac agréé.



L2743 Rev. A 06/10

## 1.0 WICHTIGE VERFAHRENSHINWEISE FÜR DEN EMPFANG:

Alle Komponenten auf sichtbare Transportschäden inspizieren. Transportschäden sind nicht von der Garantie gedeckt. Werden solche Schäden festgestellt, ist unverzüglich das Transportunternehmen zu verständigen. Das Transportunternehmen ist für alle Reparatur- und Ersatzkosten, die auf Transportschäden zurückzuführen sind, verantwortlich.

## 2.0 SICHERHEIT

### 2.1 ALLGEMEINE HYDRAULISCHE SICHERHEITSMASSNAHMEN



Alle Anleitungen, Warnungen und Vorsichtshinweise sorgfältig durchlesen. Beachten Sie alle Sicherheitsvorkehrungen, um Verletzungen

oder Sachschäden während des Systembetriebs zu vermeiden. Enerpac ist weder für Schäden noch Verletzungen haftbar, die durch einen fahrlässigen Gebrauch des Produkts, mangelhafte Instandhaltung oder eine unvorschriftsmäßige Anwendung des Produkts und/oder des Systems verursacht werden. Bei evtl. Fragen in bezug auf Sicherheitsvorkehrungen und Betriebsabläufe wenden Sie sich bitte an ENERPAC. Wenn Sie an keinerlei Sicherheitsschulungen im Zusammenhang mit Hochdruckhydraulikanlagen teilgenommen haben, fordern Sie von Ihrer Vertriebs- und Kundendienstzentrale einen kostenlosen Enerpac-Hydraulik-Sicherheitskurs an.

Ein Mißachten der folgenden Vorsichtshinweise und Warnungen kann zu Geräteschäden und Verletzungen führen.

Mit einem **VORSICHTSHINWEIS** wird auf ordnungsgemäße Betriebs- oder Wartungsverfahren und -praktiken hingewiesen, um Schäden an den Geräten oder anderen Sachwerten bzw. deren Zerstörung zu vermeiden.

Eine **WARNUNG** verweist auf eine potentielle Verletzungsgefahr, die durch ordnungsgemäße Verfahren oder Praktiken vermieden werden kann.

Ein **GEFAHRENSHINWEIS** wird nur dann gegeben, wenn eine bestimmte Handlung oder die Unterlassung einer bestimmten Handlung schwere oder tödliche Verletzungen zur Folge haben kann.



**WARNUNG:** Beim Betrieb hydraulischer Anlagen geeignete Schutzkleidung und -ausrüstung tragen.



Stellen Sie das Druckbegrenzungsventil (nur Pumpen, die mit einem vom Benutzer einstellbaren Druckbegrenzungsventil ausgestattet sind) nie auf einen höheren Druck als den maximalen Nenndruck der Pumpe ein. Höhere Einstellungen können zu Geräteschäden und/oder Verletzungen führen



**WARNUNG:** Der Systembetriebsdruck darf den zulässigen Nominaldruck der Systemkomponente mit der niedrigsten Nennleistung nicht überschreiten. Zur Überwachung des Betriebsdrucks sind Manometer im System zu installieren. Dies ist das Fenster zu den Abläufen im System.



**VORSICHT:** Beschädigungen am Hydraulikschlauch vermeiden. Beim Verlegen der Hydraulikschläuche enge Bögen und Abknicken vermeiden. Der Einsatz eines gebogenen oder geknickten Schlauchs führt zu einem hohen Rückstau. Starke Biegungen und Knickstellen schädigen den Schlauch auf der Innenseite und führen zu dessen vorzeitigem Ausfall.



Keine schweren Gegenstände auf den Schlauch fallen lassen. Starke Erschütterungen können Schäden an den im Schlauchinnern verlaufenden Drahtlitzen verursachen. Ein Schlauch, auf den Druck ausgeübt wird, kann bersten.



**WICHTIG:** Hydraulische Geräte weder an den Schläuchen noch den Gelenkanschlüssen anheben. Dazu den Tragegriff oder eine andere sichere Transportmethode verwenden.



**VORSICHT:** Hydraulische Geräte von Flammen und Hitzequellen fernhalten. Zu hohe Temperaturen weichen Füllungen und Dichtungen auf und bewirken Flüssigkeitslecks. Große Hitze schwächt außerdem die Schlauchmaterialien und -dichtungen. Zur Gewährleistung einer optimalen Leistung darf die Anlage keinen Temperaturen über 65°C ausgesetzt werden. Außerdem müssen Schläuche und Zylinder beim Schweißen vor Funkenschlag geschützt werden.



**GEFAHR:** Do not handle pressurized hoses. Escaping oil under Nicht mit unter Druck stehenden Schläuchen hantieren. Unter Druck austretendes Öl kann in die Haut eindringen und schwere Verletzungen verursachen. Falls Öl unter die Haut gelangt, ist sofort ein Arzt aufzusuchen.



**WICHTIG:** Hydraulische Geräte müssen von einem qualifizierten Hydrauliktechniker gewartet werden. Bei Reparaturarbeiten an die autorisierte ENERPAC-Kundendienstzentrale der jeweiligen Region wenden. Zur Aufrechterhaltung der Garantie nur ENERPAC-Öl verwenden.



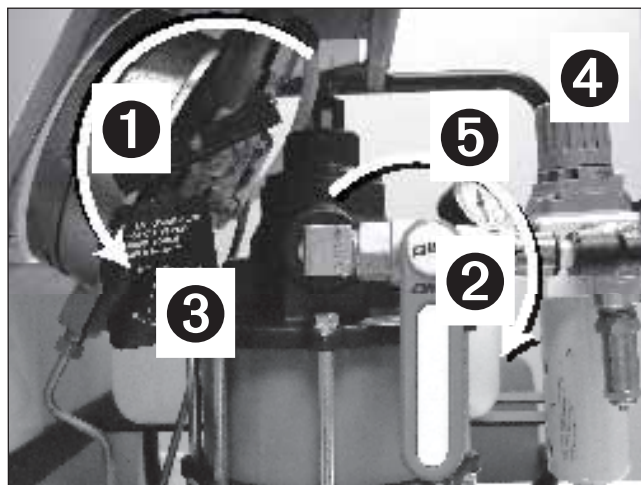
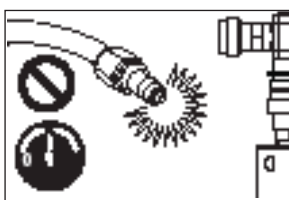
**WARNUNG:** Abgenutzte oder beschädigte Teile unverzüglich durch ENERPAC-Originalteile ersetzen. Standardteile anderer Hersteller versagen und verursachen Verletzungen und Sachschäden. ENERPAC-Teile werden so konstruiert, daß sie richtig passen und hohen Lasten standhalten.

## 2.2 AP-1500 Sicherheitsmaßnahmen



**Warnung:** Nichtbeachten der folgenden Sicherheitsmaßnahmen kann zu schweren Verletzungen oder Todesfällen führen!

- Tragen Sie immer einen Augenschutz, Handschuhe und Stiefel, wenn Sie die Pumpe betreiben.
- Hochdruck-Hydraulikgeräte können bei falschem Gebrauch sehr gefährlich sein. Halten Sie sich bei Hochdruck von Öllecks entfernt. Flüssigkeit, die aus unter hohem Druck stehenden Geräten entweicht, hat genug Kraft, um in die Haut einzudringen und zu einer Blutvergiftung zu führen. Suchen Sie bei einem solchen Unfall SOFORT einen Arzt auf.
- Versuchen Sie nie, ein hydraulisches Kupplungselement zu trennen, während es unter Druck steht.
- Versuchen Sie nie, Lecks zu reparieren, während das System unter Druck ist. Achten Sie darauf, dass das Systemmanometer null [0] bar/psi anzeigt, bevor Sie Reparaturen vornehmen.
- Setzen Sie die Rückseite eines getrennten Stopfens nie unter Druck. Es kann zu schweren Verletzungen kommen, falls das Kupplungselement unter Druck bricht.
- Gehen Sie vorsichtig vor, wenn Sie ein System unter Druck setzen. Druck kann schneller steigen als erwartet. Überwachen Sie während des Vorgangs das Manometer ständig. Seien Sie darauf vorbereitet, den Vorgang jederzeit sofort zu stoppen.
- Stellen Sie vor dem Betrieb sicher, dass Schnellverschlusskupplungen ordnungsgemäß angeschlossen sind, indem Sie an ihnen ziehen.
- Lassen Sie nur geschulte und erfahrene Personen die Pumpe bedienen. Seien Sie besonders vorsichtig, um ein versehentliches Starten der Pumpe zu vermeiden.
- Lassen Sie die Pumpe nie unter Druck und unbeaufsichtigt. Wenn Sie den Arbeitsbereich verlassen müssen, schließen Sie das Luftabsperrentil und stellen Sie sicher, dass das Ablassventil (Rückleitung zum Tank) an der Pumpe vollständig geöffnet ist. Drehen Sie den Luftdruckregler entgegen dem Uhrzeigersinn, bis [0] bar/psi auf dem Luftdruckmesser angezeigt werden.
- Überschreiten Sie nie den sicheren Arbeitsdruck für Hydraulikschläuche, Werkzeuge oder die Pumpe. Der maximal erlaubte Betriebsdruck (Hydraulik) für die ATP-1500 Pumpe beträgt 1500 bar [21.755 psi].



Schlüssel:

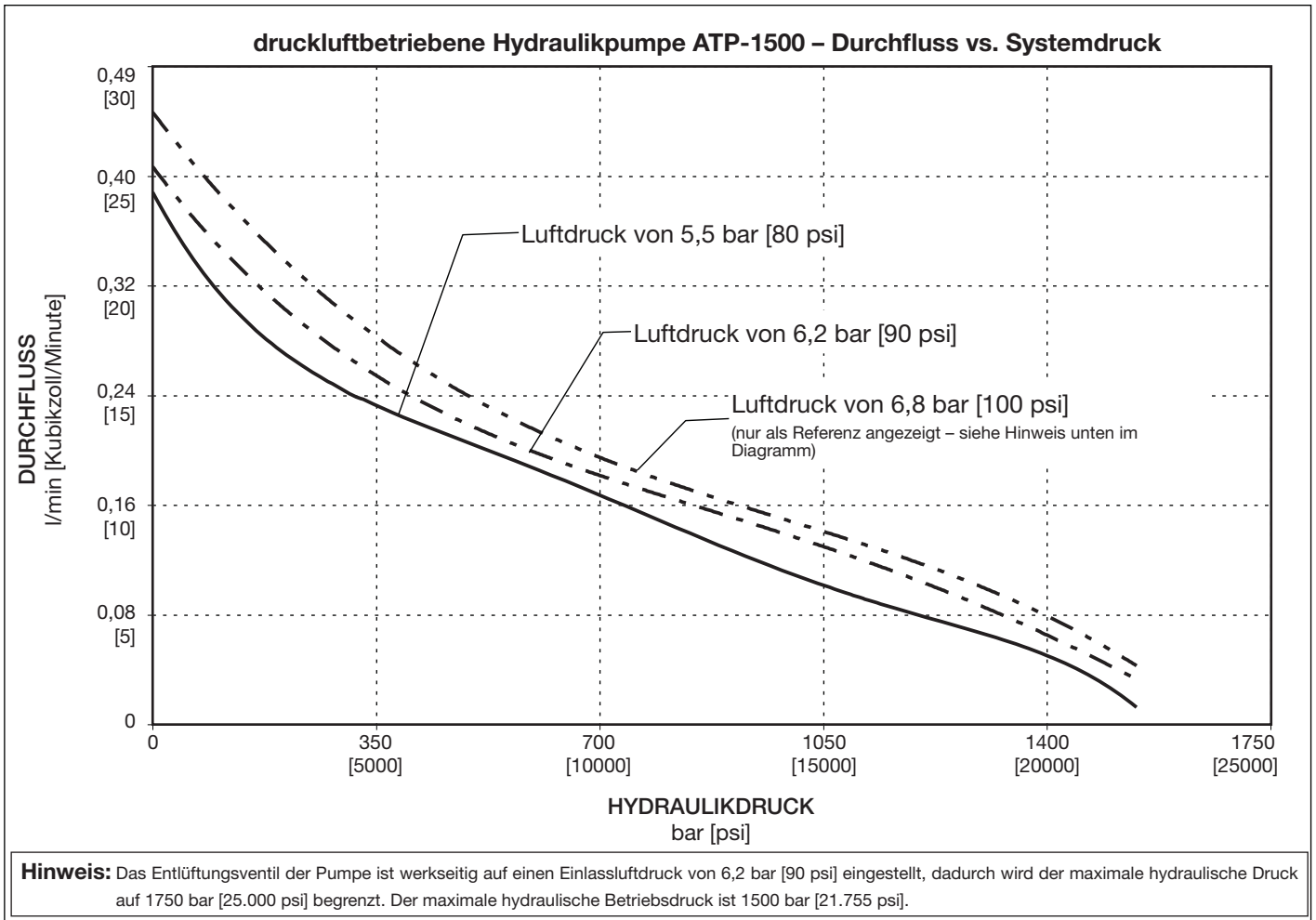
① OFFEN	③ Ventil zurück zum Tank
② GESCHLOSSEN	④ Luftdruckregler
	⑤ Luftabsperrentil

Abb. 1, Vor Anschließen der Luftversorgung

- Vor dem Anschließen der Luftversorgung: Stellen Sie sicher, dass das Luftabsperrentil (ein-aus) geschlossen ist (d.h. Griff in vertikaler Position) und dass das Ölventil (zurück zum Tank) offen ist. Siehe Abb. 1.
- Überprüfen Sie den Luftdruckmesser nach dem Anschluss der Luftversorgung. Wenn ein Druck angezeigt wird, drehen Sie den Luftdruckregler entgegen dem Uhrzeigersinn, bis das Messgerät [0] bar/psi anzeigt.
- Beginnen Sie beim unter Druck setzen der Pumpe immer bei einem Luftdruck von null [0] bar/psi und arbeiten Sie sich nach oben. Drehen Sie den Luftdruckregler LANGSAM, um eine plötzliche und unerwartete Steigerung des hydraulischen Drucks zu verhindern.
- Nach Erhalt des gewünschten hydraulischen Drucks schließen Sie immer das Luftabsperrentil und drehen Sie den Luftdruckregler entgegen dem Uhrzeigersinn, bis null [0] bar/psi auf dem Luftdruckmesser angezeigt werden.
- Machen Sie das System immer drucklos, bevor Sie es unbeaufsichtigt lassen.

### 3.0 TECHNISCHE DATEN

#### 3.1 Leistungsdaten

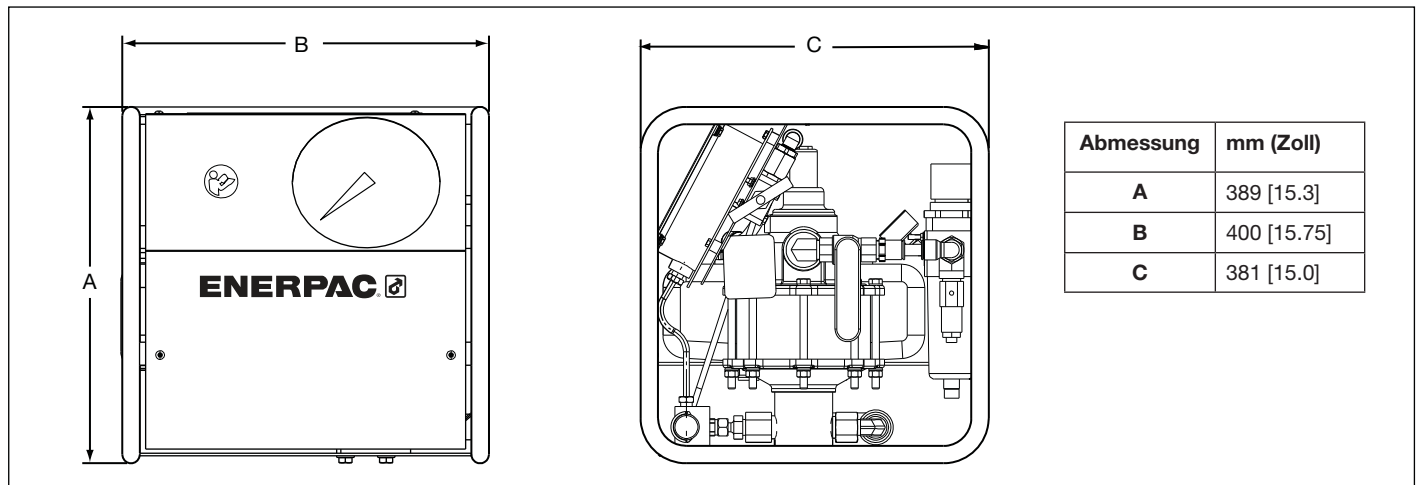


#### 3.2 Technische Daten

Temperaturbereich	Ölviskositätsbereich	Hydrauliköltyp (empfohlen)	Dichtungsmaterialien	Max. hydr. Druck (Betrieb)	Geräuschpegel	Luftverbrauch (typisch)	Gewicht (mit Öl)
-29 to +50°C [-20 to +140°F]	[15 - 25 C.S.T.] 150 -165 S.U.S.	Enerpac HF	Buna und Viton.	1500 bar [21,755 psi]	70 dBA Max.	113 L/Min [21 SCFM]	32 Kg [54 lbs.]

\*Der tatsächliche Luftverbrauch unterscheidet sich je nach Anwendung. In Abschnitt 4,3 finden Sie zusätzliche Informationen.

#### 3.3 Äußere Abmessungen



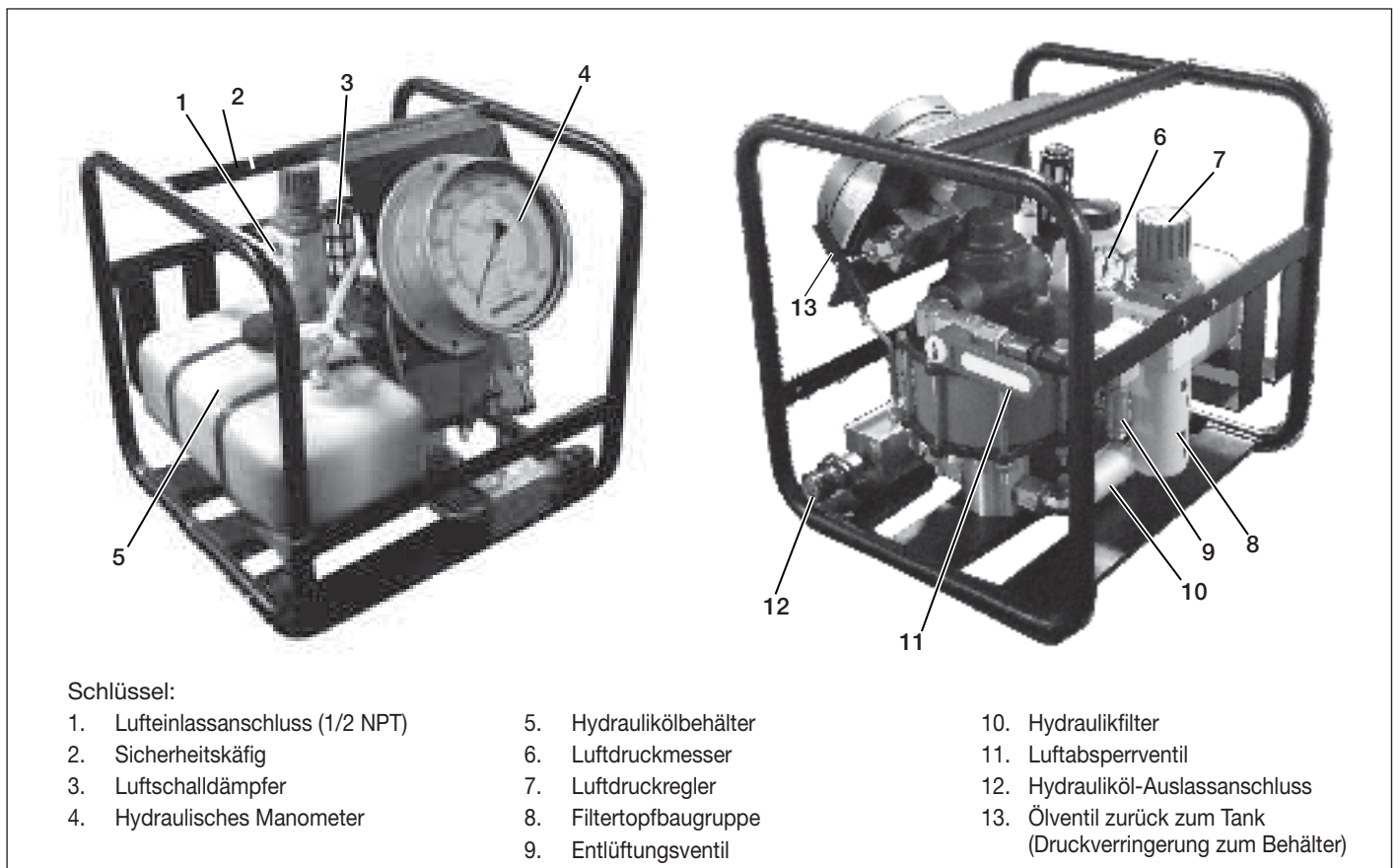


Abb. 2, Pumpenmerkmale und Komponenten (Hinweise: Schutzvorrichtungen und Abdeckungen nur für Illustrationszwecke entfernt.)

## 4.0 PUMPENEINRICHTUNG

### 4.1 Ölbehälter

Überprüfen Sie den Ölstand der Pumpe vor dem Starten. Vor Überprüfen des Ölstands:

- Vergewissern Sie sich, dass das Luftabsperventil GESCHLOSSEN und das Ölventil zurück zum Tank OFFEN ist. Siehe Abb. 1.
- Vergewissern Sie sich, dass der Hydraulikdruck der Pumpe und das Luftdruckmanometer beide null [0] bar/psi anzeigen.

Der Behälter ist VOLL, wenn der Ölstand oben im Behälter wie in Abb. 3 dargestellt ist. Das Ölfassungsvermögen ist ungefähr 3,8 Liter [1 US-Gallone]. Verwenden Sie Enerpac-Öl Typ HF:

**WICHTIG:** Fügen Sie nur Öl hinzu, wenn alle Systemkomponenten vollständig zurückgefahren sind, oder das System enthält mehr Öl als der Behälter fassen kann.

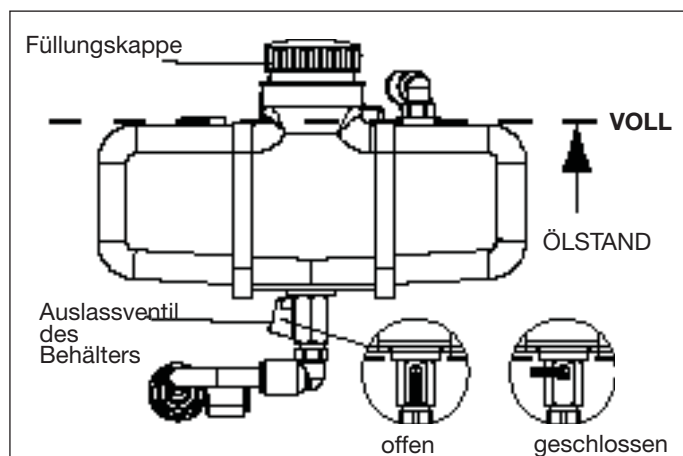


Abb. 3, Hydraulikölbehälter

### 4.2 Luft- und Hydraulikanschlüsse



**WARNUNG:** Stellen Sie vor dem Anschließen der Luftversorgung sicher, dass das Luftabsperventil (ein-aus) geschlossen ist (d.h. Griff in vertikaler Position) und dass das Ölventil (zurück zum Tank) offen ist. Siehe Abb. 1. Stellen Sie außerdem sicher, dass der Luftdruckregler vollständig ausgeschaltet ist, so dass der Luftdruckmesser der Pumpe null [0] bar/psi anzeigt.

Nehmen Sie die erforderlichen Anschlüsse vor:

- Der Lufteinlass der Pumpe befindet sich am Luftdruckregler. Er ist ein üblicher 1/2" NPT-Anschluss.
- Der Hydraulikölauslass der Pumpe ist ein 1/4" BSPP-Buchsenanschluss. Bei Pumpen, die bei Verschraubungsanwendungen verwendet werden, ist normalerweise eine Schnellverschlussbuchse im BSPP-Anschluss eingebaut.

### 4.3 Luftanforderungen

Der Luftverbrauch der Pumpe beträgt ungefähr 113 l/min [21 SCFM] freie Luft bei 6,8 bar [100 psi] Ölauslassdruck. Bei niedrigerem Luftdruck und höherem hydraulischen Druck verringert sich der Luftverbrauch proportional zu den angegebenen Durchflussraten.

**WICHTIG:** Der Luftversorgungsdruck der Pumpe darf 6,2 bar [90 psi] statisch nicht überschreiten.



**WARNUNG:** Das Entlüftungsventil der Pumpe ist werkseitig auf ungefähr 6,2 bar [90 psi] eingestellt. Um Verletzungen und Schäden am Gerät zu vermeiden, sollten Sie nicht versuchen, die Einstellung des Überdruckventils zu erhöhen.

Verwenden Sie nur trockene und gefilterte Druckluft. Die Verwendung eines Wasserabscheiders wird stärkstens empfohlen.

Die internen Komponenten der Pumpe sind selbstschmierend. Geschmierte Luft ist NICHT erforderlich.

#### 4.4 Vorfüllen der Pumpe (Entleeren der Luft)

**WICHTIG:** Neue Pumpen MÜSSEN VOR der Inbetriebnahme vorgefüllt werden.

Führen Sie das Vorfüllen wie unten beschrieben durch. Siehe Abb. 4 bis 7.

1. Vergewissern Sie sich, dass der Hydraulikbehälter mit dem richtigen Öl gefüllt ist und das Auslassventil des Behälters offen ist. Siehe Abschnitt 4,1.
2. Vergewissern Sie sich, dass das Luftabsperrentil GESCHLOSSEN und das Ölventil zurück zum Tank offen ist.
3. Lösen Sie zur Entlüftung die Füllungskappe des Behälters eine halbe Umdrehung. **Die Entlüftung ist für den ordnungsgemäßen Betrieb erforderlich.**

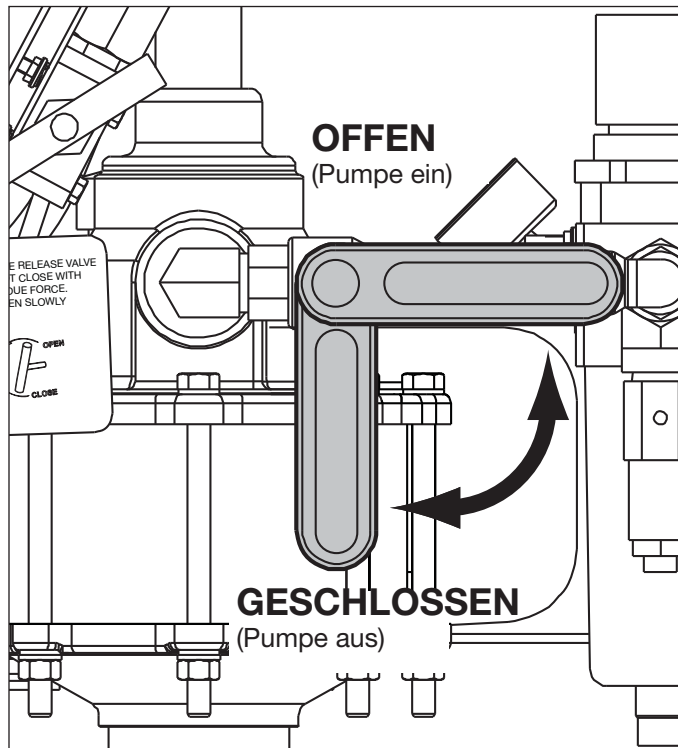


Abb. 4, Luftabsperrentil

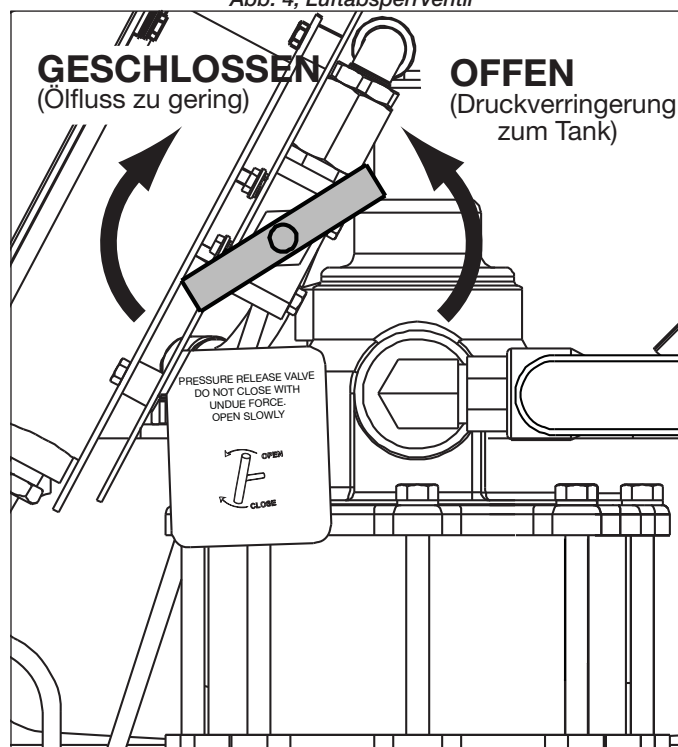


Abb. 5, Ölventil zurück zum Tank

4. Schließen Sie den Luftversorgungsschlauch an den Lufteinlassanschluss der Pumpe an.
5. Aktivieren Sie bei GESCHLOSSENEM Luftabsperrentil die Luftquelle und überprüfen Sie den Luftdruckmesser. Wenn ein Druck angezeigt wird, drehen Sie den Luftdruckregler so weit wie nötig entgegen dem Uhrzeigersinn, bis das Messgerät [0] bar/psi anzeigt.

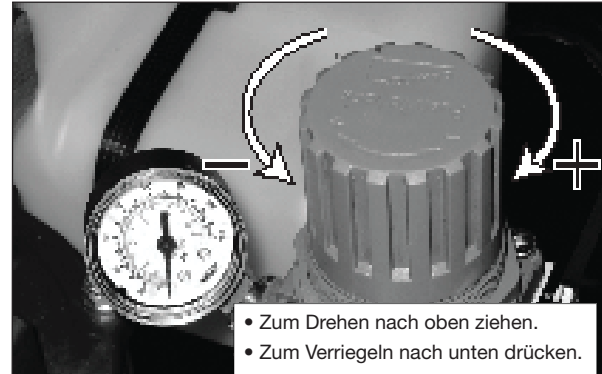


Abb. 6, Luftdruckmesser und Regler

6. Schließen Sie ein Ende eines 1 m [3 Fuß] langen Hydraulikschlauchs an den Ölauslassanschluss der Pumpe an.
7. Bringen Sie ein Schnellverschlussverschraubung mit offenem Ende am anderen Ende des Schlauchs an.
8. Schrauben Sie die Füllungskappe des Behälters ab. Platzieren Sie das Schlauchende an der Verschraubung mit offenem Ende im Behälter. So kann das Öl während des Vorfüllens zurückfließen.
9. Schließen Sie das Ölventil zurück zum Tank. Bewegen Sie das Luftabsperrentil in die Position OFFEN.
10. Erhöhen Sie mithilfe des Luftdruckreglers den Luftdruck LANGSAM von 0,67 bar – 1,0 bar [0 psi bis 10-15 psi], um den Pumpenbetrieb zu starten.
11. Überprüfen Sie, ob Öl durch den Schlauch zum Behälter zurückfließt. Erhöhen Sie den Luftdruck auf 2,75 bar [40 psi], bis die gesamte Luft aus dem System entleert ist (keine Blasen im zurückfließenden Ölstrom sichtbar).
12. Bewegen Sie das Luftabsperrentil wieder in die Position GESCHLOSSEN. Die Pumpe stoppt.
13. Drehen Sie den Luftdruckregler entgegen dem Uhrzeigersinn, bis [0] bar/psi auf dem Luftdruckmesser angezeigt werden.
14. Öffnen Sie das Ölventil zurück zum Tank, um restlichen hydraulischen Druck entweichen zu lassen. Überprüfen Sie, ob das hydraulische Manometer null [0] bar/psi anzeigt.

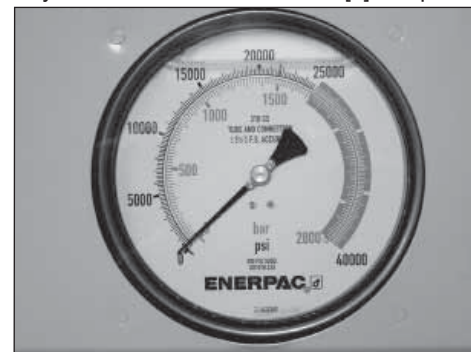


Abb. 7, Hydraulisches Manometer

15. Entfernen Sie den 1 m [3 Fuß] langen Ölrückflussschlauch vom Behälter. Bringen Sie die Füllungskappe des Behälters wieder an.
16. Trennen Sie den Ölrückflussschlauch von den Ölauslassanschlüssen der Pumpe.

## 5.0 PUMPENBETRIEB

Betreiben Sie die Pumpe wie in den Abschnitten 5.1 bis 5.4 beschrieben. Siehe Abb. 4 bis 7.

**WICHTIG:** Neue Pumpen müssen vor dem Betrieb vorgefüllt werden. Siehe Abschnitt 4.4.

### 5.1 Vor dem unter Druck setzen der Pumpe

1. Vergewissern Sie sich, dass das Luftabsperventil GESCHLOSSEN und das Ölventil zurück zum Tank offen ist.
2. Bereiten Sie die Pumpe auf den Betrieb vor. Überprüfen Sie den Ölstand und nehmen Sie die erforderlichen Schlauchanschlüsse vor. Siehe Abschnitt 4.1, 4.2 und 4.3.
3. Aktivieren Sie bei GESCHLOSSENEM Luftabsperventil die Luftquelle und überprüfen Sie den Luftdruckmesser. Wenn ein Druck angezeigt wird, drehen Sie den Luftdruckregler so weit wie nötig entgegen dem Uhrzeigersinn, bis das Messgerät [0] bar/psi anzeigt.
4. Lösen Sie zur Entlüftung die Füllungskappe des Behälters eine halbe Umdrehung. **Die Entlüftung ist für den ordnungsgemäßen Betrieb erforderlich.**

### 5.2 Unter Druck setzen der Pumpe

1. Schließen Sie das Ölventil zurück zum Tank.

**WICHTIG:** Schließen Sie das Ölventil zurück zum Tank nur mit Handdruck. Die Verwendung von Werkzeugen kann zu Schäden am Ventil und/oder Ventilsitz führen.

2. Bewegen Sie das Luftabsperventil in die Position OFFEN.
3. Erhöhen Sie LANGSAM den Luftdruck (drehen Sie den Luftdruckregler im Uhrzeigersinn), bis die Pumpe zu laufen beginnt und sich hydraulischer Druck aufbaut.

**ACHTUNG:** Überwachen Sie ständig das hydraulische Manometer, während die Pumpe läuft. Druck kann schneller steigen als erwartet. Seien Sie darauf vorbereitet, das Luftabsperventil sofort zu schließen, wenn der gewünschte hydraulische Druck angezeigt wird.

**WICHTIG:** Die für das unter Druck setzen des hydraulischen Kreises erforderliche Zeit unterscheidet sich je nach Anzahl und Art der angeschlossenen Werkzeuge, des verfügbaren Luftvolumens, der Länge der Hydraulikschläuche und anderen Faktoren.

4. Wenn die gewünschte Anzeige auf dem hydraulischen Manometer erscheint, hören Sie mit dem Drehen des Luftdruckreglers auf und bewegen Sie das Luftabsperventil in die Position GESCHLOSSEN. Die Pumpe stoppt.
5. Drehen Sie den Luftdruckregler entgegen dem Uhrzeigersinn, bis der Luftdruckmesser null [0] psi/bar anzeigt.

### 5.3 Verringern des Pumpendrucks

1. Vergewissern Sie sich, dass das Luftabsperventil in der Position GESCHLOSSEN ist.
2. Öffnen Sie das Ölventil zurück zum Tank LANGSAM, um den hydraulischen Druck entweichen zu lassen. Überprüfen Sie, ob das hydraulische Manometer null [0] bar/psi anzeigt.

### 5.4 Abschalten und Trennen der Pumpe

1. Vergewissern Sie sich, dass das Luftabsperventil in der Position GESCHLOSSEN ist. Drehen Sie den Luftdruckregler so weit wie nötig entgegen dem Uhrzeigersinn, bis der Luftdruckmesser null [0] psi/bar anzeigt.
2. Öffnen Sie das Ölventil zurück zum Tank LANGSAM (falls geschlossen), um den restlichen hydraulischen Druck entweichen zu lassen. Überprüfen Sie, ob das hydraulische Manometer null [0] bar/psi anzeigt.
3. Trennen Sie den Luftversorgungsschlauch vom Lufteinlassanschluss der Pumpe.
4. Trennen Sie den Ölversorgungsschlauch vom Ölauslassanschluss der Pumpe.

5. Schließen Sie die Füllungskappe des Behälters vollständig.

**WICHTIG:** Die Füllungskappe des Behälters muss vollständig geschlossen sein, wenn die Pumpe nicht verwendet wird, um zu verhindern, dass Verunreinigungen in das System gelangen.

6. Bewahren Sie die Pumpe wie in Abschnitt 6.0 beschrieben auf.

## 6.0 AUFBEWAHRUNG

- Vergewissern Sie sich, dass das Ölventil zurück zum Tank in der Position OFFEN ist.
- Überprüfen Sie, ob die Füllungskappe des Behälters vollständig geschlossen ist.
- Entfernen Sie den Filtertopf. Lassen Sie das Wasser ab und entfernen Sie eventuelle Fremdkörper. Bauen Sie den Filtertopf nach dem Entleeren wieder ein.
- Bewahren Sie die Pumpe in senkrechter Position an einem sauberen und trockenen Ort auf.
- Bringen Sie Staubabdeckungen an den Hydraulikölauslass- und Lufteinlassanschlüssen an.
- Falls die Pumpe längere Zeit aufbewahrt werden soll, bringen Sie ein geeignetes Rostschutzmittel an allen korrosionsgefährdeten unbeschichteten Metallteilen auf.

## 7.0 WARTUNG

Die Stellen der Pumpenwartungselemente finden Sie in Abb. 8.

**WICHTIG:** Setzen Sie alle Vorsichtsmaßnahmen ein, um die Pumpe und die Ölleitungen vor Schmutz und Staub zu schützen. Fremdkörper im System können zu einem Ausfall der Pumpe oder Schäden an Pumpenkomponenten führen. Solche Schäden sind nicht von der Garantie abgedeckt.

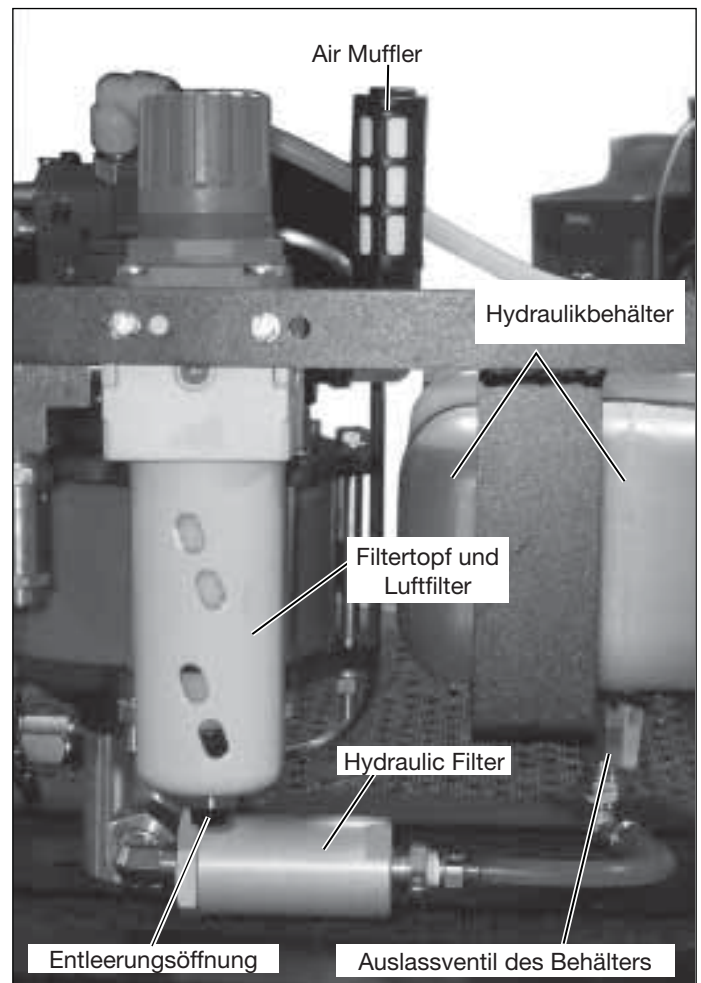


Abb. 8, Pumpenwartungselemente



**WARNUNG:** Vergewissern Sie sich vor Beginn irgendwelcher Wartungs- oder Reparaturarbeiten, dass das Ölventil zurück zum Tank offen und das Luftabsperrentventil geschlossen ist. Trennen Sie die Luft- und Hydraulikleitungen immer von der Pumpe. Überprüfen Sie, ob das Manometer null [0] bar/psi anzeigt.

## 7.1 Luftfilter

Tauschen Sie das Luftfilterelement aus, wenn es schmutzig aussieht, oder wenn sich die Luftströmung merklich verringert. Teilediagramm siehe Abb. 9.

## 7.2 2 Filtertopf-Entleerungsöffnung

Der Filtertopf entleert sich automatisch selbst, wenn der Wasserstand auf ungefähr 1/3 der Topfhöhe steigt. Der Topf muss unter einen Druck von mindestens 1,5 bar [22 psi] gesetzt werden, damit das automatische Entleeren erfolgt. Falls gewünscht, kann ein Entleerungsschlauch mit einer 1/8 Zoll BSSP-Verschraubung (vom Benutzer zu liefern) an die Entleerungsöffnung des Topfes angeschlossen werden.

Tauschen Sie den gesamten Filtertopf aus, wenn die automatische Entleerungsfunktion nicht mehr funktioniert. Teilediagramm siehe Abb. 9.

**WICHTIG:** Um Schäden an der automatischen Entleerung zu verhindern, sollten Sie nicht versuchen, die Mutter der Entleerungsöffnung zu lösen. Der Topf enthält kein manuelles Entleerungsventil. Wenn eine manuelle Entleerung gewünscht ist, schalten Sie die Luftversorgung aus und entleeren Sie das Wasser durch Entfernen des Topfes.

## 7.3 Luftschalldämpfer

Überprüfen Sie den Luftschalldämpfer regelmäßig. Entfernen Sie losen Schmutz oder Ölrückstände mit einem Tuch. Tauschen Sie den Schalldämpfer aus, wenn er verstopft ist oder sich die Pumpenlautstärke merklich erhöht. Ort siehe Abb. 8.

## 7.4 Ölwechsel

Enerpac HF-Öl hat eine klare blaue Farbe. Überprüfen Sie den Ölzustand regelmäßig auf Verunreinigung, indem Sie das Pumpenöl mit neuem Enerpac-Öl vergleichen. Als allgemeine Regel gilt, dass Sie den Behälter alle 250 Stunden entleeren und reinigen sollten. Es sollte häufiger geschehen, wenn die Pumpe in schmutzigen Umgebungen eingesetzt wird.

Wechseln Sie das Öl wie in den folgenden Schritten beschrieben: Siehe Abb. 8:

1. Schließen Sie das Auslassventil des Behälters.
2. Trennen Sie den Ölschlauch vom Hydraulikfilter. Stellen Sie einen geeigneten Behälter unter das offene Ende des Schlauches.
3. Öffnen Sie das Auslassventil des Behälters. Entleeren Sie das Öl in den Behälter darunter. Entsorgen Sie verbrauchtes Öl gemäß allen geltenden Bestimmungen und Gesetzen.
4. Trennen Sie die Hydraulikfilterbaugruppe. Reinigen Sie das Hydraulikfilterelemente (oder tauschen Sie es aus) und bauen Sie es wieder ein. In Abschnitt 7,5 finden Sie zusätzliche Informationen.
5. Bringen Sie den Ölschlauch wieder am Hydraulikfilter an. Um Lufteintritt oder Lecks zu vermeiden, sollten Sie sicherstellen, dass die Anschlüsse dicht sind.
6. Öffnen Sie das Auslassventil des Behälters. Füllen Sie die Pumpe wie in Abschnitt 4.4 beschrieben vor.

## 7.5 Hydraulikfilter

Entfernen Sie das Hydraulikfilterelement bei jedem Ölwechsel und überprüfen Sie es. Das Element kann gereinigt und wiederverwendet werden, wenn es in gutem Zustand ist. Jedoch sollte in neues Element eingebaut werden, wenn das alte Element beschädigt ist oder öfter als dreimal gereinigt wurde. Überprüfen Sie das Element wenn eine merkliche Verringerung der Pumpenleistung auftritt. Teilediagramm siehe Abb. 10.

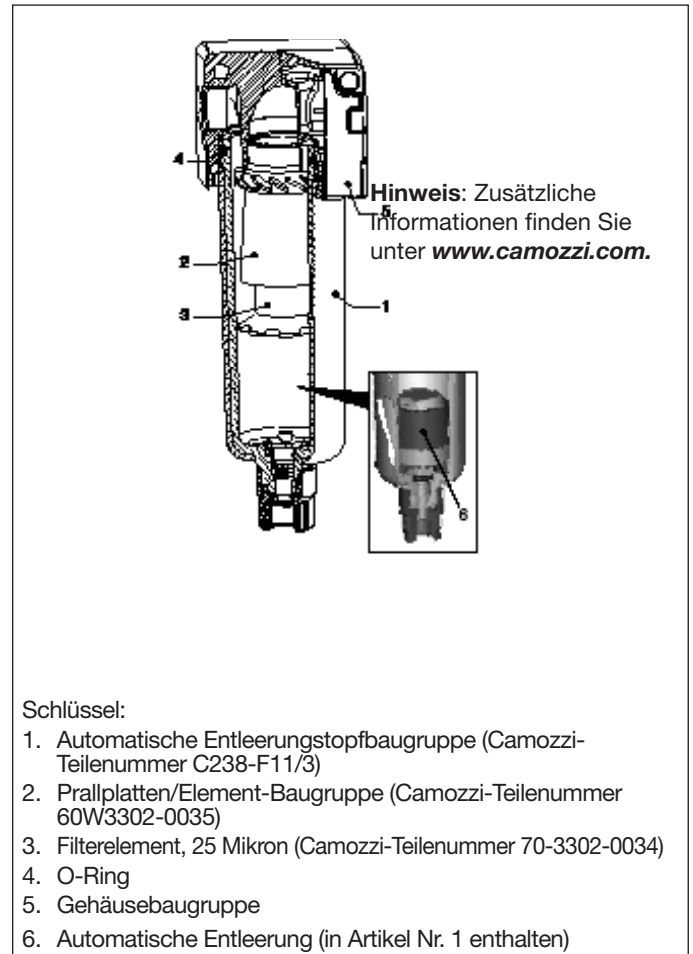


Abb. 9, Luftfiltertopf-Details

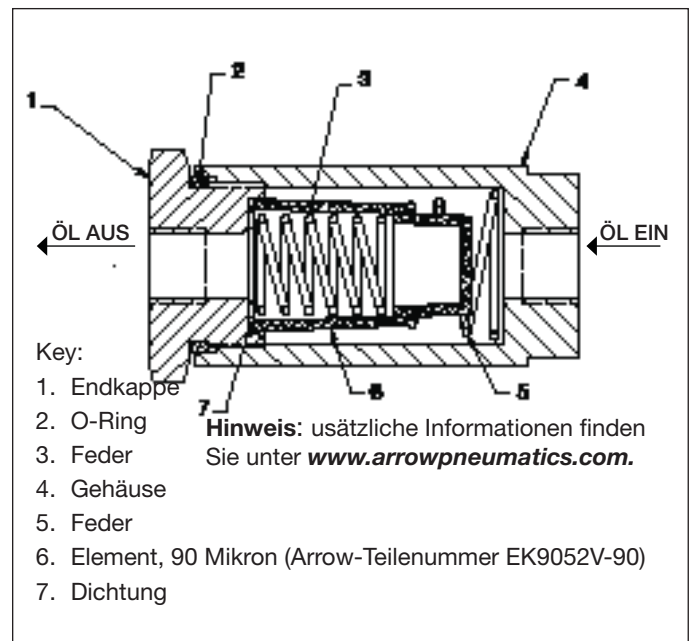


Abb. 10, Hydraulikfilter-Details

## 8.0 FEHLERBEHEBUNG

Nur qualifizierte Hydrauliktechniker sollten die Pumpe oder Systemkomponenten warten und reparieren. Ein Systemausfall ist nicht notwendigerweise das Ergebnis einer Fehlfunktion der Pumpe. Um die Ursache des Problems festzustellen, muss das vollständige System beim Diagnoseverfahren berücksichtigt werden.

Die folgende Fehlerbehebungstabelle ist nur als Hilfe gedacht, um festzustellen, ob ein Problem vorliegt. Wenden Sie sich für die Reparatur an Ihr autorisiertes Enerpac-Servicecenter.

Problem	Mögliche Ursache	Maßnahme
Pumpe dreht sich nicht.	Kein Luftdruck in der Versorgung.	Überprüfen Sie die Luftversorgung.
	Luftabsperrentil der Pumpe geschlossen.	Öffnen Sie das Luftabsperrentil der Pumpe.
	Luftdruckregler der Pumpe zu niedrig eingestellt.	Überprüfen Sie die Einstellung des Druckreglers.
	Luftfilter der Pumpe schmutzig.	Tauschen Sie das Luftfilterelement aus.
	Luftmotor der Pumpe verschlissen oder beschädigt.	Wenden Sie sich an ein autorisiertes Enerpac-Servicecenter.
	Pumpenelement gestaut..	Wenden Sie sich an ein autorisiertes Enerpac-Servicecenter.
Pumpe kann keinen hydraulischen Druck aufbauen oder baut nicht den gewünschten Druck auf.	Niedriger Luftdruck oder niedriges Volumen in der Luftversorgung.	Überprüfen Sie die Luftversorgung.
	Luftdruckregler der Pumpe zu niedrig eingestellt.	Überprüfen Sie die Einstellung des Reglers.
	Luftfilter der Pumpe schmutzig.	Tauschen Sie das Luftfilterelement aus..
	Ventil zurück zum Tank der Pumpe offen oder nicht vollständig geschlossen.	Schließen Sie das Ventil zurück zum Tank.
	Niedriger Ölstand im Behälter.	Überprüfen Sie den Ölstand. Fügen Sie Öl nach Bedarf hinzu.
	Hydraulikfilter der Pumpe schmutzig.	Reinigen Sie das Hydraulikfilterelement oder tauschen Sie es aus.
	Ölleck an den Hydraulikschläuchen, Verschraubungen oder Werkzeugen.	Tauschen Sie undichte Elemente bei Bedarf aus.
	Ventil zurück zum Tank der Pumpe undicht.	Tauschen Sie das Ventil zurück zum Tank aus.
	Luftmotor der Pumpe verschlissen oder beschädigt.	Wenden Sie sich an ein autorisiertes Enerpac-Servicecenter.
Internes Leck im Pumpenelement und/oder Luftmotor.	Wenden Sie sich an ein autorisiertes Enerpac-Servicecenter.	
Ruckartiger oder unregelmäßiger Pumpenbetrieb.	Niedriger Luftdruck oder niedriges Volumen in der Luftversorgung.	Überprüfen Sie die Luftversorgung.
	Pumpe nicht vorgefüllt und/oder Luft in den Hydraulikleitungen.	Füllen Sie die Pumpe wie in Abschnitt 4.4 beschrieben vor.
	Hydrauliköl schmutzig.	Wechseln Sie das Hydrauliköl. Verwenden Sie nur Enerpac HF-Öl. Reinigen Sie das Hydraulikfilterelement oder tauschen Sie es aus.
	Pumpenelement abgenutzt oder beschädigt.	Contact Enerpac Authorized Service Center.
Übermäßige Feuchtigkeit im Pumpenabgas.	Übermäßiges Wasser und/oder Schmiermittel in der Versorgungsluft.	Verringern Sie die Feuchtigkeit in der Luft. Bauen Sie einen Wasserabscheider ein. <b>Hinweis:</b> Die Komponenten der Pumpe sind selbstschmierend. Geschmierte Luft ist nicht erforderlich
	Luftfiltertopf der Pumpe muss entleert werden.	Überprüfen Sie den Topf auf Wasser. Entleeren Sie ihn nach Bedarf.
	Luftfilter der Pumpe schmutzig.	Tauschen Sie das Luftfilterelement aus.
	Internes Leck im Pumpenelement und/oder Luftmotor.	Wenden Sie sich an ein autorisiertes Enerpac-Servicecenter



L2743 Rev. A 06/10

## 1.0 ISTRUZIONI AL RICEVIMENTO

Controllare visivamente tutti i componenti per accertare eventuali danni derivanti dal trasporto. Se del caso, sporgere subito reclamo al trasportatore. I danni causati durante il trasporto non sono coperti dalla garanzia. Il trasportatore è responsabile degli stessi e deve rispondere di tutte le spese e costi per la rimessa in efficienza del materiale.

## 2.0 SICUREZZA

### 2.1 PRECAUZIONI GENERALI DI SICUREZZA IDRAULICA



Leggere attentamente tutte le istruzioni, le Precauzioni ed Avvertenze che si devono osservare durante l'impiego delle attrezzature. Rispettare

tutte le norme di sicurezza per evitare infortuni alle persone e danni alle cose. L'ENERPAC non è responsabile per infortuni e danni causati dal mancato rispetto delle Norme di Sicurezza, dall'uso e dall'applicazione impropria del prodotto o dalla sua mancata manutenzione. In caso di dubbi sulla applicazione del prodotto o sulla Sicurezza, contattare l'ENERPAC. Se non si conoscono le Norme di Sicurezza per i Sistemi Oleodinamici ad Alta Pressione contattare l'ENERPAC o i suoi Rappresentanti per un corso gratuito di addestramento sulla Sicurezza.

L'inosservanza delle seguenti Norme di Sicurezza può causare infortuni alle persone e danni alle attrezzature.

**PRECAUZIONE:** Sta ad indicare la corretta procedura d'impiego o di manutenzione per evitare danni, anche irreparabili, dell'attrezzatura e delle cose circostanti.

**AVVERTENZA:** Sta ad indicare un potenziale pericolo che richiede l'osservanza della procedura per evitare infortuni alle persone.

**PERICOLO:** E' usato solo quando una azione od una mancata azione può provocare gravi infortuni se non la morte.



**AVVERTENZA:** Durante l'impiego delle attrezzature oleodinamiche usare sempre gli indumenti protettivi appropriati.



**MAI** Non regolare mai la valvola di scarico (solo per le pompe equipaggiate con una valvola di scarico regolabile da parte dell'utente) ad una pressione più alta di quella prevista per la pompa. Più alte regolazioni possono dare luogo a danni dell'equipaggiamento e/o a ferimento personale.



**AVVERTENZA:** La pressione max. di esercizio, in un circuito, non deve mai superare quella nominale del componente a pressione più bassa. Per controllare la pressione in un circuito, montare un manometro.



**PRECAUZIONE:** Evitare di danneggiare il tubo flessibile. Evitare curve strette e serpentine dei tubi flessibili. Curve troppo strette causano strozzature nella tubazione che possono dar luogo a pericolose contropressioni le quali ne compromettono la durata.



**NON** schiacciare i tubi flessibili. Lo schiacciamento od urto, con oggetti pesanti, possono danneggiare le spirali metalliche interne di rinforzo. Pressurizzare un tubo flessibile lesionato ne causa la rottura.



**IMPORTANTE:** Non usare il tubo flessibile od il giunto ruotante per sollevare le attrezzature. Servirsi delle maniglie di trasporto o di altri mezzi più sicuri.



**PRECAUZIONE:** Proteggere tutti i componenti oleodinamici da fonti di calore. Una temperatura elevata ammorbidisce le tenute, le guarnizioni ed il tubo flessibile, dando origine a perdite d'olio. Per un corretto funzionamento la temperatura dell'olio non deve superare i 65 °C. Proteggere i tubi flessibili ed i cilindri dagli spruzzi di saldatura.



**PERICOLO:** Non maneggiare i tubi flessibili sotto pressione. Spruzzi d'olio sotto pressione perforano la pelle causando serie complicazioni. Se l'olio è penetrato sotto pelle, consultare immediatamente un Medico.



**IMPORTANTE:** La manutenzione delle attrezzature oleodinamiche deve essere affidata solo a tecnici qualificati. Per il servizio di assistenza tecnica, rivolgersi al Centro Assistenza Autorizzato ENERPAC di zona. Per salvaguardare la Vostra garanzia, usare solo olio ENERPAC.



**AVVERTENZA:** Sostituire immediatamente le parti usurate o danneggiate con ricambi originali ENERPAC. Le parti usurate si potrebbero rompere, causando lesioni alle persone e danni alle cose.

## 2.2 ATP-1500 Precauzioni di sicurezza



**Avviso:** La mancata osservanza delle seguenti precauzioni di sicurezza può risultare in un serio ferimento o nella morte delle persone.

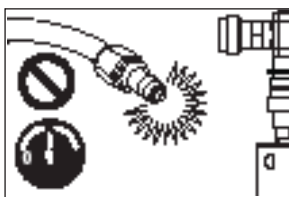
- Indossare sempre la protezione degli occhi, guanti e stivali quando si aziona la pompa.
- L'equipaggiamento idraulico ad alta pressione può essere molto pericoloso, se viene usato in modo improprio. Stare lontani dalle fughe di olio ad alta pressione. Il liquido che sfugge da un equipaggiamento altamente pressurizzato ha forza sufficiente per penetrare sotto la pelle, ciò che causa un avvelenamento del sangue. In caso di incidente di questo genere, ricorrete IMMEDIATAMENTE all'assistenza medica.

- Non tentare mai di scollegare un accoppiatore idraulico mentre è sotto pressione.

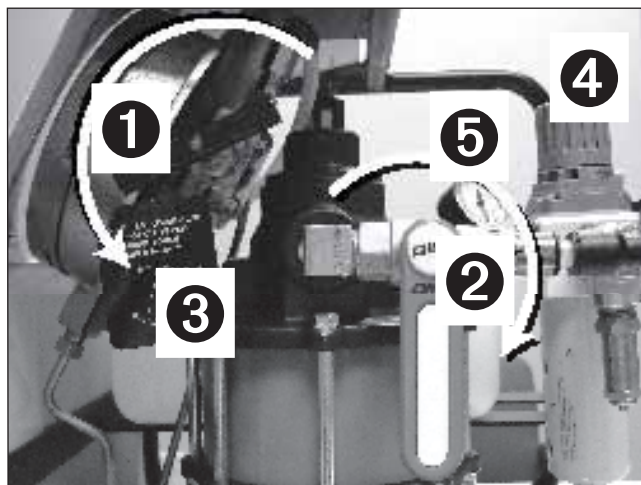


- Non tentare mai di riparare le perdite mentre il sistema è sotto pressione. Accertatevi che il manometro che misura la pressione del sistema indichi zero [0] bar/psi prima di effettuare le riparazioni.

- Non pressurizzare mai la parte posteriore di un accoppiatore maschio scollegato. Ne potrebbe risultare un serio ferimento delle persone se l'accoppiatore si guastasse sotto pressione.



- Usare precauzione quando si pressurizza un sistema. La pressione può aumentare più rapidamente di quanto previsto. Durante la pressurizzazione monitorare il manometro della pressione. Essere pronti ad arrestare la pressurizzazione in qualsiasi momento.
- Prima del funzionamento, accertarsi che i raccordi di accoppiamento rapido siano correttamente collegati tirando fisicamente su di loro.
- Permettere solo a personale pratico e con esperienza di azionare la pompa. Siate particolarmente attenti per evitare l'avvio accidentale della pompa.
- Non abbandonare mai la pompa pressurizzata e non controllata. Se dovete abbandonare la zona, chiudere la valvola di chiusura dell'aria ed accertarsi che la valvola di scarico (ritorno al serbatoio) sulla pompa sia completamente aperta. Girare la manopola del regolatore della pressione dell'aria in senso antiorario fino a che sul manometro della pressione dell'aria la pressione indicata sia di zero [0] bar/psi.
- Non superare mai la pressione di lavoro di sicurezza per i tubi flessibili idraulici, gli attrezzi o la pompa. La pressione massima (idraulica) di funzionamento ammissibile per la pompa ATP-1500 è di 1500 bar [21,755 psi].



Legenda:

❶ APERTO

❷ CHIUSO

❸ Valvola di ritorno al serbatoio

❹ Regolatore di pressione dell'aria

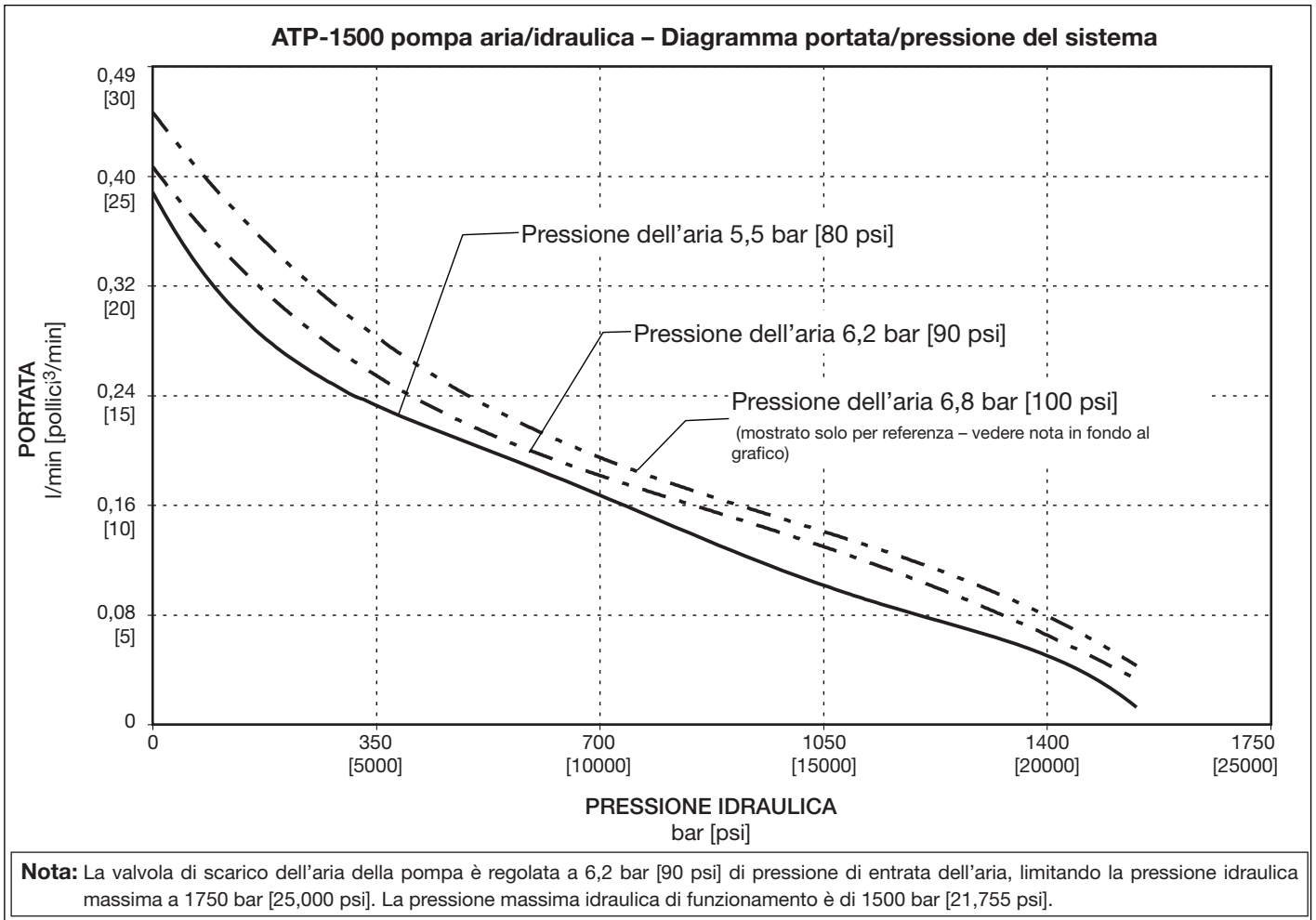
❺ Valvola di chiusura dell'aria

Figura 1, Prima di collegare l'alimentazione dell'aria.

- Prima di collegare l'alimentazione dell'aria: Accertarsi che la valvola di chiusura dell'aria (onoff) sia chiusa (ossia che la manopola sia in posizione verticale) e che la valvola di ritorno dell'olio nel serbatoio sia aperta. Vedere la Figura 1.
- Controllare il manometro della pressione dell'aria dopo avere collegato l'alimentazione dell'aria. Se è indicato un qualsiasi valore di pressione, girare la manopola del regolatore di pressione in senso antiorario fino a che il manometro indichi zero [0] bar/psi.
- Pressurizzare sempre la pompa partendo da zero [0] bar/psi di pressione d'aria e regolare andando verso l'alto. Girare la manopola del regolatore di pressione dell'aria LENTAMENTE per impedire aumenti improvvisi e inaspettati della pressione idraulica.
- Dopo che si è raggiunta la pressione idraulica desiderata, chiudere sempre la valvola di esclusione dell'aria e girare la manopola del regolatore di pressione dell'aria in senso antiorario fino a che sul manometro della pressione dell'aria sia indicato zero [0] bar/psi.
- Depressurizzare sempre prima di lasciare il sistema incontrollato

### 3.0 SPECIFICHE

#### 3.1 Dati sulle prestazioni

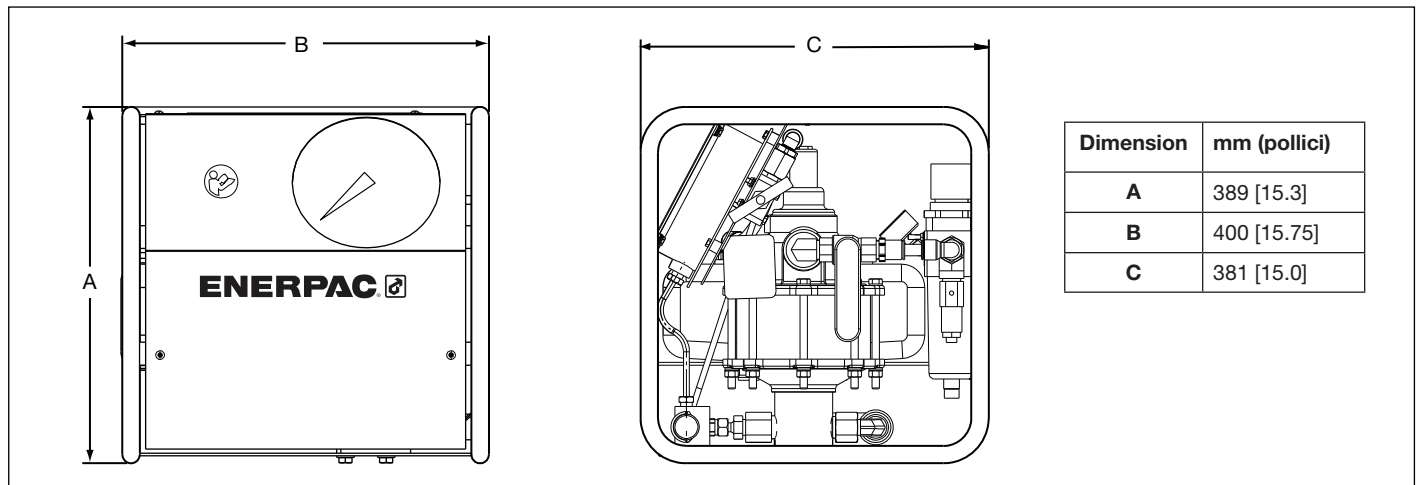


#### 3.2 Dati tecnici

Gamma di temperatura	Gamma di viscosità dell'olio	Tipo di olio idraulico (raccomandato)	Materiali di tenuta	Max pressione idraulica (funzionamento)	Livello sonoro	Consumo dell'aria (tipico)	Peso (compreso l'olio)
-29 to +50°C [-20 to +140°F]	[15 - 25 C.S.T.] 150 -165 S.U.S.	Enerpac HF	Buna e Viton	1500 bar [21,755 psi]	70 dBA Max.	113 L/Min [21 SCFM]	32 Kg [54 lbs.]

\*L'effettivo consumo d'aria dipenderà dall'applicazione. Fare riferimento alla Sezione 4.3 per informazioni aggiuntive.

#### 3.3 Dimensioni esterne



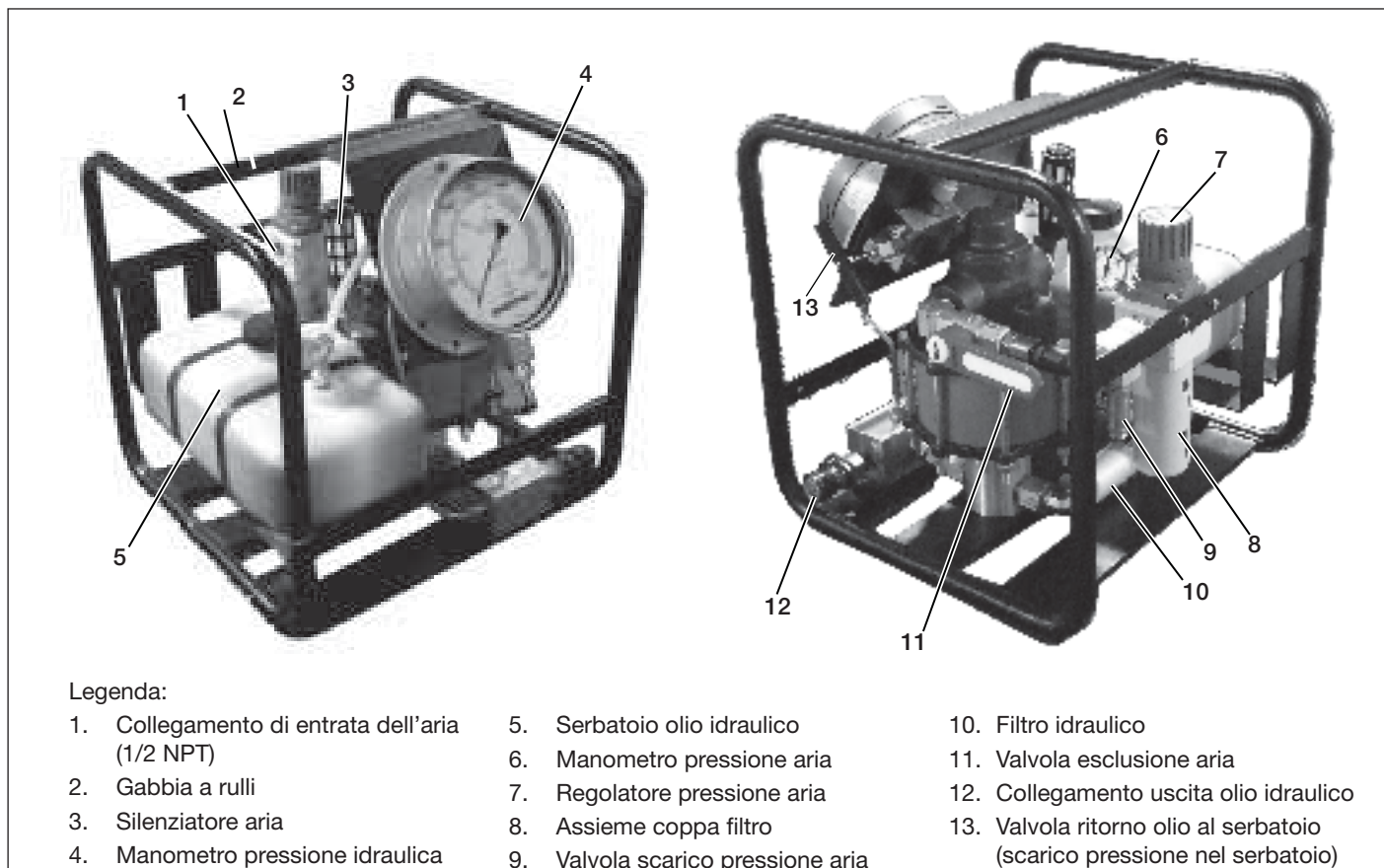


Figura 2, Caratteristiche pompa e componenti (Nota: protezioni e coperchi tolti solo a scopo dimostrativo).

## 4.0 REGOLAZIONE POMPA

### 4.1 Serbatoio dell'olio

Controllare il livello dell'olio prima dell'avvio. Prima di controllare l'olio:

- Accertarsi che la valvola di chiusura dell'aria sia CHIUSA e che la valvola di ritorno dell'olio nel serbatoio sia APERTA. Vedere la Figura 1.

- Accertarsi che entrambi i manometri della pressione idraulica della pompa e della pressione dell'aria indichino zero [0] bar/psi.

Il serbatoio è PIENO quando il livello dell'olio è in cima al serbatoio come mostrato in Figura 3. La capacità dell'olio è di circa 3,8 litri [1 gallone US]. Usare Olio Enerpac Tipo HF.

**IMPORTANTE:** Aggiungere olio soltanto quando tutti i componenti del sistema sono tornati completamente a riposo, oppure il sistema conterrà più olio di quanto ce ne possa stare nel serbatoio.

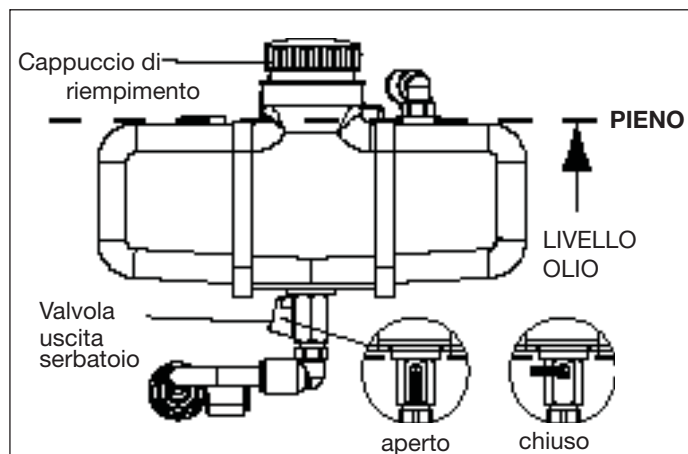


Figura 3, Serbatoio olio idraulico

### 4.2 Collegamenti aria e idraulico



**AVVISO:** Prima di collegare l'alimentazione dell'aria, accertarsi che la valvola di chiusura dell'aria (on-off) sia chiusa (ossia si trovi nella posizione verticale) e che la valvola di ritorno dell'olio al serbatoio sia aperta. Inoltre, accertarsi che il regolatore di pressione dell'aria sia commutato su off, in modo tale che il manometro della pressione dell'aria indichi zero [0] bar/psi.

Effettuare i collegamenti come richiesto:

- L'entrata dell'aria della pompa è situata sull'assieme del regolatore di pressione dell'aria. Si tratta di un collegamento standard 1/2" NPT.
- L'uscita idraulica della pompa è un collegamento femmina 1/4" BSPP. Nelle pompe usate in applicazioni di imbullonamento, si installa tipicamente un accoppiatore rapido nel raccordo BSPP.

### 4.3 Richieste per l'aria

Il consumo di aria della pompa è di circa 113 l/min. [21 SCFM] di aria libera a 6,8 bar [100 psi] alla pressione di scarico dell'olio. Con pressioni più basse dell'aria e a pressioni idrauliche più alte, il consumo dell'aria verrà ridotto proporzionalmente alle portate indicate.

**IMPORTANTE:** La pressione statica dell'aria alla pompa non deve superare 6,2 bar [90 psi].



**AVVISO:** La valvola di scarico della pressione dell'aria alla pompa è regolata in fabbrica a circa 6,2 bar [90 psi]. Per impedire il ferimento delle persone ed annuali all'equipaggiamento, non tentare di alzare la regolazione della valvola di scarico.

Usare solo aria compressa secca e filtrata. L'uso di un separatore d'aria è fortemente raccomandato.

I componenti interni della pompa sono auto-lubrificanti. NON è necessaria aria auto-lubrificata.

#### 4.4 Adescamento della pompa (spurgo dell'aria)

**IMPORTANTE:** Le pompe nuove DEBBONO essere adescate PRIMA dell'avvio iniziale. Seguire la procedura di adescamento come descritta nei passi seguenti. Fare riferimento alle Figure da 4 a 7.

1. Accertarsi che il serbatoio idraulico sia stato riempito con il giusto tipo di olio e che la valvola di uscita del serbatoio sia aperta. Fare riferimento alla Sezione 4.1.
2. Accertarsi che la valvola di esclusione dell'aria sia nella posizione CHIUSA e che la valvola di ritorno dell'olio al serbatoio sia aperta.
3. Allentare il cappuccio di riempimento di circa mezzo giro per provvedere alla ventilazione dell'aria. **La ventilazione é necessaria per un corretto funzionamento.**

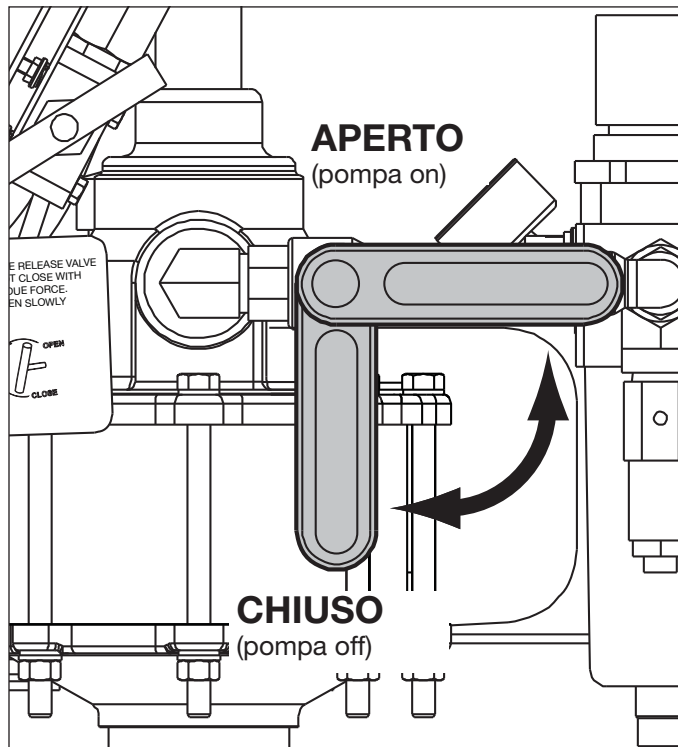


Figura 4, Valvola di esclusione dell'aria

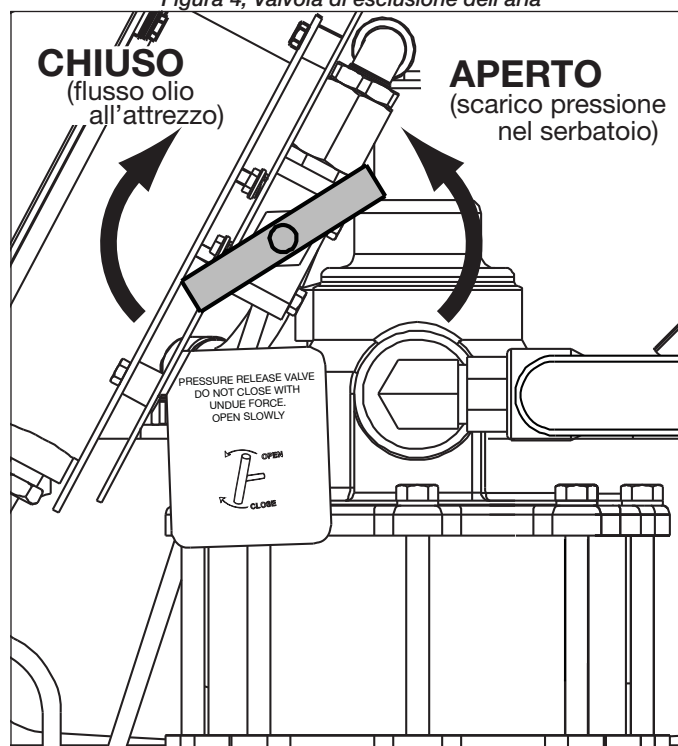


Figura 5, Valvola di ritorno dell'olio al serbatoio

4. Collegare il tubo flessibile dell'aria al raccordo di entrata dell'aria nella pompa
5. Mentre la valvola di esclusione dell'aria rimane CHIUSA, attivare la mandata dell'aria e controllare il manometro dell'aria. Se vi è indicata una qualsiasi pressione, girare la manopola del regolatore di pressione dell'aria in senso antiorario come richiesto, fino a che il manometro indichi zero [0] bar/ psi.

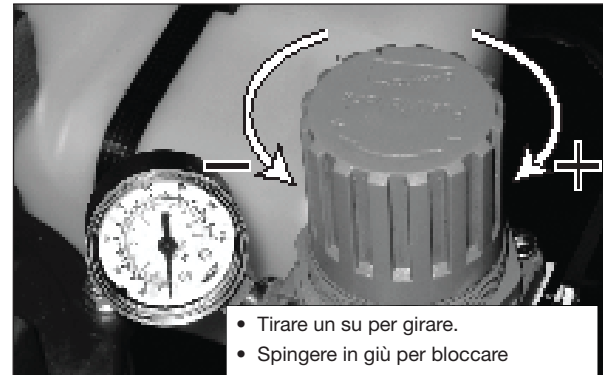


Figura 6, Manometro pressione aria e regolatore

6. Collegare un'estremità di un tubo flessibile idraulico di 1 m [3 piedi] al raccordo di uscita dell'olio dalla pompa.
7. Installare un raccordo rapido ad estremità libera all'altra estremità del tubo flessibile.
8. Svitare il cappuccio di riempimento del serbatoio. Porre il tubo flessibile con il raccordo ad estremità libera dentro al serbatoio. Questo permetterà il ritorno dell'olio durante l'adescamento.
9. Chiudere la valvola di ritorno al serbatoio. Spostare la valvola di esclusione dell'aria alla posizione OPEN (APERTO).
10. Usando il regolatore della pressione dell'aria, aumentare LENTAMENTE la pressione dell'aria da 0,68 a 1,0 bar [da 0 psi fino a 10-15 psi] per iniziare il funzionamento della pompa.
11. Verificare che l'olio ritorni nel serbatoio attraverso il tubo flessibile. Aumentare la pressione a 2,75 bar [40 psi] fino a che l'aria sia spurgata dal sistema (non ci debbono essere bolle d'aria nel flusso dell'olio di ritorno).
12. Spostare la valvola di esclusione dell'aria nella posizione CLOSED (CHIUSA). La pompa si arresterà.
13. Girare la manopola del regolatore di pressione dell'aria in senso antiorario fino a che il manometro della pressione dell'aria non indichi zero [0] bar/psi.
14. Aprire la valvola di ritorno dell'olio al serbatoio per scaricare qualsiasi pressione idraulica residua. Verificare che il manometro della pressione idraulica indichi zero [0] bar/psi.

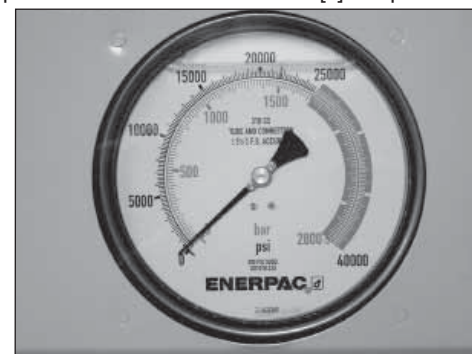


Figura 7, Manometro della pressione idraulica

15. Smontare il tubo flessibile di ritorno della lunghezza di 1 m [3 piedi] dal serbatoio. Reinstallare il cappuccio di riempimento del serbatoio.
16. Scollegare il tubo flessibile di ritorno dell'olio dal raccordo di uscita della pompa.

## 5.0 FUNZIONAMENTO DELLA POMPA

Fare funzionare la pompa come descritto nelle Sezioni da 5.1 fino a 5.4. Fare riferimento alle Figure da 4 a 7.

**IMPORTANTE:** Le pompe nuove debbono essere adescate prima del funzionamento. Fare riferimento alla Sezione 4.4.

### 5.1 Prima di pressurizzare la pompa

1. Accertarsi che la valvola di esclusione dell'aria sia nella posizione CLOSED (CHIUSA) e che la valvola di ritorno dell'olio al serbatoio sia aperta.
2. Preparare la pompa per il funzionamento. Controllare il livello dell'olio e fare i collegamenti dei tubi flessibili come richiesto. Fare riferimento alle Sezioni 4.1, 4.2 e 4.3.
3. Mentre la valvola di esclusione dell'aria rimane CLOSED (CHIUSA), attivare la sorgente dell'aria e controllare il manometro della pressione dell'aria. Se è indicata una qualsiasi pressione, girare la manopola del regolatore di pressione dell'aria in senso anti-orario come richiesto, fino a che il manometro indichi zero [0] bar/psi
4. Allentare il cappuccio di riempimento del serbatoio per fornire la ventilazione. **La ventilazione è necessaria per il corretto funzionamento.**

### 5.2 Pressurizzazione della pompa

1. Chiudere la valvola di ritorno al serbatoio.

**IMPORTANTE:** Chiudere la valvola di ritorno dell'olio al serbatoio usando solo la pressione manuale. L'uso di attrezzi può portare a danni alla valvola e/o alla sede della valvola.

2. Spostare la valvola di esclusione dell'aria alla posizione OPEN (APERTO)
3. Aumentare LENTAMENTE la pressione dell'aria (girare la manopola del regolatore dell'aria in senso orario) fino a che la pompa inizi a funzionare e si venga a creare la pressione idraulica.



**ATTENZIONE:** monitorare continuamente il manometro della pressione idraulica mentre la pompa è in funzione. Le pressioni possono crescere più rapidamente di quanto anticipato. State pronti a chiudere la valvola di esclusione immediatamente quando viene indicato il valore della pressione idraulica desiderata.

**IMPORTANTE:** Il tempo richiesto per pressurizzare il circuito idraulico varierà, dipendendo dal numero e dal tipo degli utensili collegati, dal volume dell'aria disponibile, dalla lunghezza dei tubi idraulici flessibili e da altri fattori.

4. Quando si legge la pressione desiderata sul manometro della pressione idraulica, non girare più la manopola del regolatore d'aria e spostare la valvola di esclusione dell'aria nella posizione CLOSED (CHIUSA). La pompa si arresta.
5. Girare la manopola del regolatore di pressione dell'aria in senso anti-orario fino a che il manometro della pressione dell'aria indichi zero [0] bar/psi.

### 5.3 Depressurizzazione della pompa

1. Accertarsi che la valvola di esclusione dell'aria sia in posizione CLOSED (CHIUSA)
2. Aprire LENTAMENTE la valvola di ritorno al serbatoio per scaricare la pressione idraulica. Verificare che il manometro della pressione idraulica indichi zero [0] bar/psi.

### 5.4 Arresto della pompa e scollegamento

1. Accertarsi che la valvola di esclusione dell'aria sia nella posizione CLOSED (CHIUSA). Girare la manopola del regolatore di pressione dell'aria in senso anti-orario, fino a che il manometro della pressione dell'aria indichi zero [0] bar/psi.

2. Aprire lentamente la valvola di ritorno dell'olio al serbatoio (se è chiusa) per scaricare la pressione idraulica residua. Verificare che il manometro della pressione idraulica indichi zero [0] bar/psi
3. Scollegare il tubo flessibile di alimentazione dell'aria dal raccordo dell'aria della pompa.
4. Scollegare il tubo flessibile di alimentazione dell'olio dal raccordo di uscita dell'olio della pompa.
5. Chiudere completamente il cappuccio di riempimento del serbatoio.

**IMPORTANT:** Il cappuccio di riempimento del serbatoio deve essere completamente chiuso quando la pompa non è in uso per impedire l'entrata di sporcizia nel sistema.

6. Immagazzinare la pompa come descritto nella Sezione 6.0.

## 6.0 IMMAGAZZINAMENTO

- Accertarsi che la valvola di ritorno dell'olio nel serbatoio sia in posizione OPEN (APERTA).
- Controllare che il cappuccio di riempimento del serbatoio sia completamente chiuso.
- Smontare la coppa del filtro. Scaricare l'acqua e asportare i residui. Reinstallare la coppa del filtro dopo lo scarico.
- Immagazzinare la pompa nella posizione verticale in un posto secco e pulito.
- Porre delle coperture antipolvere sull'uscita dell'olio idraulico e sui raccordi di entrata dell'aria.
- Se la pompa deve essere immagazzinata per un lungo periodo di tempo, applicare un inibitore della ruggine adatto a tutte le parti metalliche esposte.

## 7.0 MANUTENZIONE

Fare riferimento alla Figura 8 per le posizioni delle voci di manutenzione della pompa.

**IMPORTANTE:** Prendere ogni precauzione per proteggere la pompa e le linee dell'olio dall'entrata di sporco e sabbia. Sostanze estranee nel sistema risultano in un funzionamento difettoso o danni dei componenti della pompa. Tali danni non sono coperti dalla garanzia.



**AVVISO:** Prima di iniziare qualsiasi manutenzione o riparazione, accertarsi che la valvola di ritorno dell'olio nel serbatoio sia aperta e che la valvola di esclusione dell'aria sia chiusa. Scollegare sempre le linee dell'aria e idrauliche dalla pompa. Verificare che i manometri indichino zero [0] bar/psi.

### 7.1 Filtro dell'aria

Sostituire l'elemento filtrante dell'aria se appare sporco, oppure se c'è una notevole caduta di portata dell'aria. Vedere la Figura 9 per il diagramma dei componenti.

### 7.2 Raccordo di scarico della coppa del filtro

La coppa del filtro si scaricherà automaticamente quando il livello dell'acqua sale a circa 1/3 dell'altezza della coppa. La coppa deve essere pressurizzata ad almeno 1,5 bar [22 psi] perché avvenga lo scarico automatico. Se desiderato, si può collegare un tubo flessibile di scarico da 1/8 di pollice (fornito dall'utente) al raccordo di scarico della coppa.

Sostituire l'intero assieme della coppa se non si verifica lo scarico automatico. Vedere la Figura 9 per il diagramma delle parti.

**IMPORTANTE:** Per impedire danni all'insieme dell'auto-scarico non tentare di allentare il dado del raccordo dello scarico. La coppa non contiene alcuna valvola di scarico manuale. Se si desidera fare

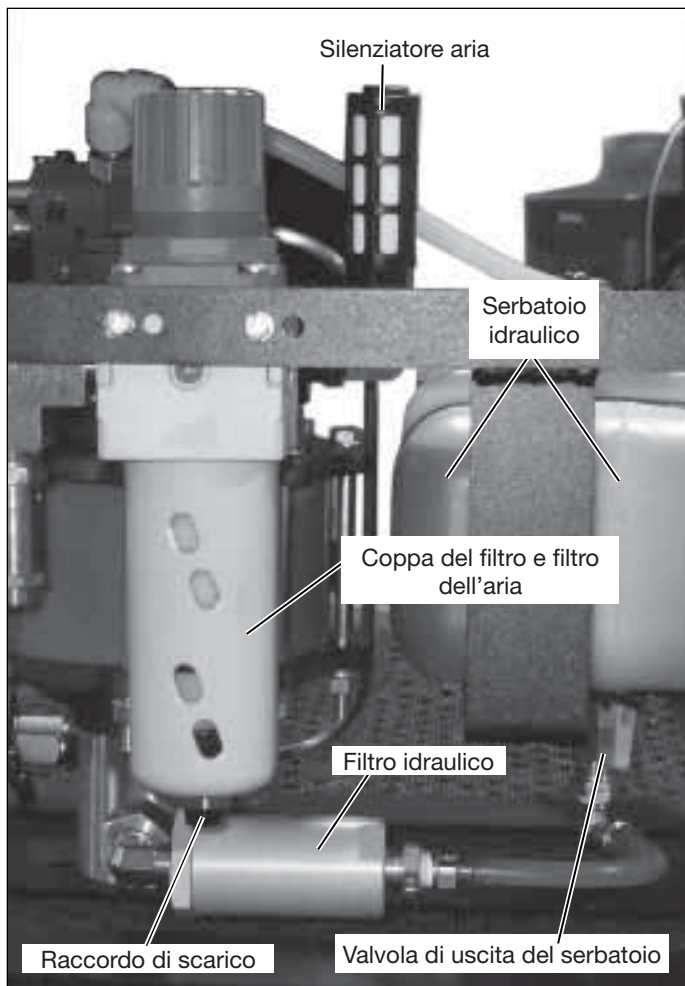


Figura 8, Parti per la manutenzione della pompa

lo scarico manuale, escludere l'alimentazione dell'aria e scaricare l'acqua contenuta smontando la coppa.

### 7.3 Silenziatore dell'aria

Ispezionare periodicamente il silenziatore dell'aria. Togliere lo sporco eventuale o i residui di olio con uno straccio. Sostituire il silenziatore se si ottura o se si verifica un notevole aumento del rumore della pompa. Vedere la Figura 8 per la posizione.

### 7.4 Cambio dell'olio

L'olio Enerpac HF ha un colore blu vivo. Controllare frequentemente la condizione dell'olio comparando l'olio della pompa all'olio Enerpac nuovo. Come regola generale, scaricare completamente e pulire il serbatoio dell'olio ogni 250 ore, o più frequentemente se è stato usato in un ambiente sporco.

Cambiare l'olio come descritto nei punti seguenti. Fare riferimento alla Figura 8:

1. Chiudere la valvola di scarico del serbatoio.
2. Scollegare il tubo flessibile dell'olio al filtro idraulico. Porre un contenitore adatto sotto l'estremità libera del tubo flessibile.
3. Aprire la valvola di scarico del serbatoio. Permettere all'olio di scaricarsi nel contenitore al di sotto. Eliminare l'olio usato in accordo con i regolamenti e le leggi esistenti.
4. Smontare l'assieme del filtro idraulico. Pulire e reinstallare (o sostituire) l'elemento idraulico filtrante. Fare riferimento alla Sezione 7.6 per informazioni aggiuntive.
5. Ricollegare il tubo flessibile dell'olio al filtro idraulico. Per impedire l'entrata dell'aria o le perdite, accertarsi che i collegamenti siano stretti.

6. Aprire la valvola di scarico del serbatoio. Adescare la pompa come descritto nella in Sezione 4.4.

### 7.5 Filtro idraulico

Smontare e ispezionare l'elemento filtrante idraulico ad ogni cambio dell'olio. Se l'elemento è in buone condizioni esso può essere pulito e riutilizzato. Se invece il vecchio elemento è danneggiato o è stato pulito più di tre volte, installare un elemento nuovo. Controllare l'elemento se si verifica una notevole caduta di pressione nelle prestazioni della pompa. Vedere la Figura 10 per il diagramma delle parti.

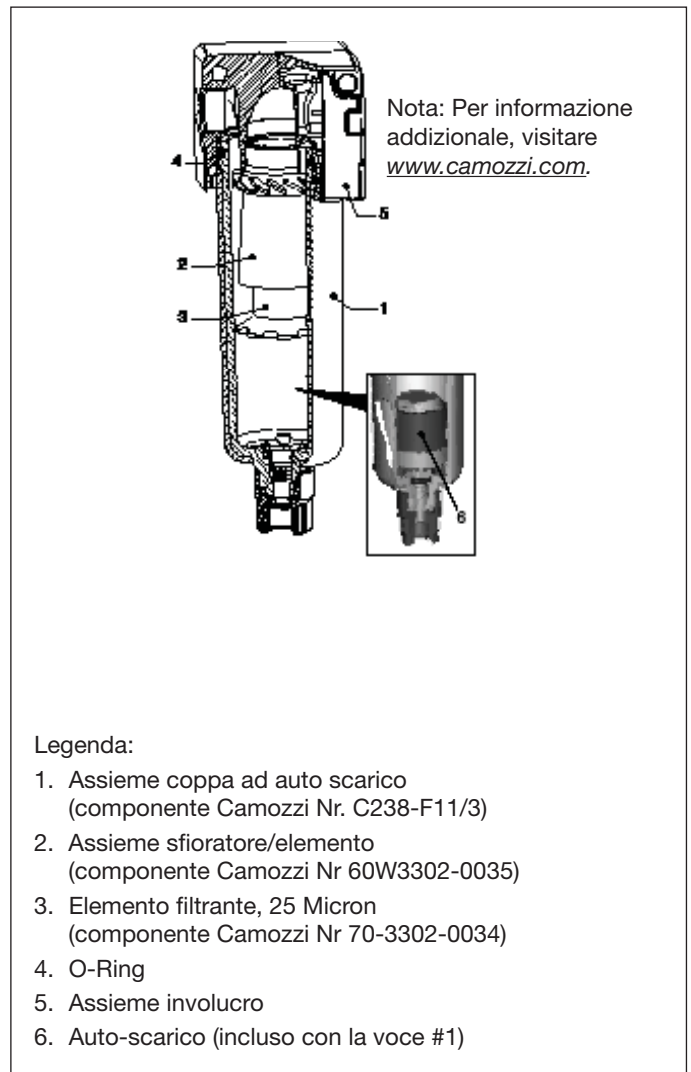


Figura 9, Dettagli coppa filtro aria

Legenda:

1. Assieme coppa ad auto scarico (componente Camozzi Nr. C238-F11/3)
2. Assieme sfioratore/elemento (componente Camozzi Nr 60W3302-0035)
3. Elemento filtrante, 25 Micron (componente Camozzi Nr 70-3302-0034)
4. O-Ring
5. Assieme involucro
6. Auto-scarico (incluso con la voce #1)

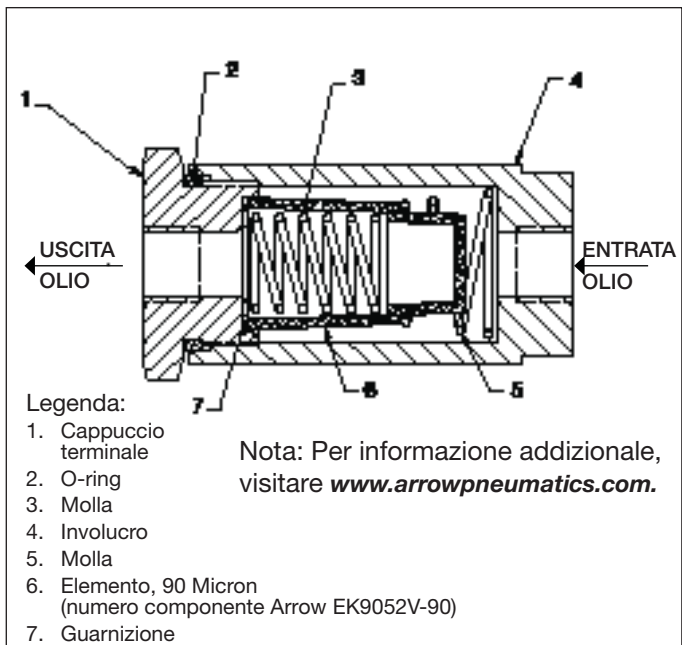


Figura 10, Dettagli filtro idraulico



## 8.0 ELIMINAZIONE DIFETTI

Solo tecnici idraulici qualificati dovrebbero intervenire sulla pompa e sui componenti del sistema. Un difettoso funzionamento del sistema non è necessariamente il risultato di una disfunzione della pompa. Per determinare la causa del problema, si deve esaminare tutto il sistema con una procedura di diagnosi.

Il seguente diagramma per l'eliminazione dei difetti è inteso per essere usato come un aiuto per determinare se il problema esiste. Per il servizio di riparazione, contattate il Vostro Centro di Servizio Autorizzato Enerpac.

Problema	Causa possibile	Azione
La pompa non effettua il ciclo.	Non c'è pressione dell'aria di alimentazione.	Controllare l'alimentazione dell'aria.
	Valvola di esclusione dell'aria alla pompa chiusa.	Valvola di esclusione dell'aria alla pompa aperta.
	Regolatore della pressione dell'aria alla pompa regolato troppo basso.	Controllare la regolazione del regolatore di pressione dell'aria.
	Filtro dell'aria alla pompa sporco.	Sostituire l'elemento filtrante dell'aria.
	Motore ad aria della pompa consumato o danneggiato.	Contattare il Centro di Servizio Autorizzato Enerpac.
	Elemento pompante bloccato.	Contattare il Centro di Servizio Autorizzato Enerpac.
La pompa non riesce a creare la pressione idraulica o crea una pressione inferiore a quella desiderata.	Alimentazione aria a bassa pressione o portata.	Controllare l'alimentazione dell'aria.
	Regolatore della pressione dell'aria alla pompa regolato troppo basso.	Controllare la regolazione del regolatore.
	Filtro dell'aria della pompa sporco.	Sostituire l'elemento filtrante dell'aria.
	Valvola di ritorno dalla pompa al serbatoio aperta o non completamente chiusa.	Chiudere la valvola di ritorno al serbatoio.
	Basso livello dell'olio nel serbatoio.	Controllare il livello dell'olio. Aggiungere olio se richiesto.
	Filtro idraulico della pompa sporco.	Pulire o sostituire l'elemento filtrante idraulico.
	Perdita di olio nei tubi flessibili idraulici, raccordi o attrezzi.	Sostituire le voci che perdono come richiesto.
	Valvola di ritorno al serbatoio che perde.	Sostituire la valvola di ritorno al serbatoio.
	Motore ad aria della pompa consumato o danneggiato.	Contattare il Centro di Servizio Autorizzato Enerpac.
	Perdite interne nell'elemento della pompa e/o motore ad aria.	Contattare il Centro di Servizio Autorizzato Enerpac.
Funzionamento della pompa a strappi o erratico.	Alimentazione aria a bassa pressione o portata .	Controllare l'alimentazione dell'aria.
	La pompa non è stata adescata e/o aria nei tubi idraulici.	Prime the pump as described in Section 4.4.
	Olio idraulico sporco.	Cambiare l'olio idraulico. Usare solo olio Enerpac HF. Pulire o sostituire l'elemento filtrante.
	Elemento pompante consumato o danneggiato.	Contact Enerpac Authorized Service Center.
Eccessiva umidità nello scarico della pompa.	Eccessiva acqua e/o lubrificante nell'aria di alimentazione.	Ridurre l'umidità dell'aria. Installare un separatore d'acqua. <b>Nota:</b> I componenti della pompa sono auto lubrificanti. Non è richiesta aria lubrificata.
	La coppa del filtro dell'aria della pompa deve essere scaricato.	Controllare l'acqua nella coppa. Scaricare come richiesto.
	Filtro dell'aria della pompa sporco.	Sostituire l'elemento filtrante dell'aria.
	Perdite interne nell'elemento della pompa e/o motore ad aria.	Contattare il Centro di Servizio Autorizzato Enerpac.

L2743 Rev. A 06/10

**1.0 IMPORTANTES INSTRUCCIONES DE RECEPCIÓN**

Inspeccione visualmente todos los componentes para verificar si hay daños producidos en el transporte. Debido a que la garantía no ampara daños en transporte, si los hubiese, informe inmediatamente a la empresa de transportes, puesto que ésta es responsable de todos los gastos de reparaciones o reemplazo que resulten por daños producidos en el transporte.

**2.0 SEGURIDAD****2.1 PRECAUCIONES GENERALES DE SEGURIDAD  
HIDRÁULICA**

Lea todas las instrucciones, advertencias y precauciones. Acate todas las precauciones de seguridad para evitar lesiones o daños a la propiedad durante el funcionamiento del sistema. ENERPAC no puede ser responsable de daños o lesiones que resulten de no usar el producto de forma segura, falta de mantenimiento o aplicación incorrecta del producto y/o funcionamiento del sistema. Comuníquese con ENERPAC si tuviese dudas sobre las precauciones de seguridad o sobre las aplicaciones. Si nunca ha sido capacitado en seguridad hidráulica de alta presión, consulte a su distribuidor o centro de servicio para obtener un curso de seguridad gratis denominado ENERPAC Hydraulic.

El no cumplir con las siguientes precauciones y advertencias podría causar daños averías al equipo y lesiones.

Una **PRECAUCIÓN** se utiliza para indicar procedimientos y prácticas de uso o mantenimiento correctos para evitar daños o la destrucción de equipo u otra propiedad.

Una **ADVERTENCIA** indica un potencial peligro que requiere de procedimientos o prácticas correctos para evitar lesiones.

Un **PELIGRO** se utiliza sólo cuando su acción u omisión podría causar lesiones graves o incluso la muerte.



**ADVERTENCIA:** Use el equipo de protección personal adecuado cuando use equipo hidráulico.



Nunca ajustar la válvula de descarga (bombas equipadas sólo con válvula de descarga ajustable por el usuario) a una presión mayor que la presión máxima de la bomba. Ajustes mayores pueden provocar daños en el equipo y/o lesiones personales.



**ADVERTENCIA:** La presión de trabajo del sistema no debe sobrepasar el valor nominal de presión del componente con el valor nominal más bajo en el sistema. Instale manómetros en el sistema para vigilar la presión de trabajo. Es su ventana a lo que está sucediendo en el sistema.



**PRECAUCIÓN:** Evite dañar la manguera hidráulica. Evite pliegues y curvas agudos al guiar las mangueras hidráulicas. Usar una manguera con pliegues o curvas puede causar severa contrapresión. Los pliegues y curvas agudos causarán daños internos a la manguera, lo que ocasionará que ésta falle prematuramente.



**No deje caer objetos pesados sobre la manguera. Un impacto directo puede dañar el trenzado metálico de la manguera. Aplicar presión a una manguera dañada puede ocasionar que se rompa.**



**IMPORTANTE:** No levante el equipo hidráulico por las mangueras o acopladores giratorios. Utilice el asa de transporte u otros medios para transportarla con seguridad.



**PRECAUCIÓN:** Mantenga el equipo hidráulico alejado de las llamas y el calor. El calor en exceso ablandará las juntas, lo que resultará en fugas de líquidos. Asimismo, el calor debilita los materiales de la manguera y juntas. Para lograr un rendimiento óptimo, no exponga el equipo a temperaturas de 65°C (150°F) o mayores. Proteja las mangueras y cilindros de salpicaduras de soldadura.



**PELIGRO:** No manipule mangueras bajo presión. El aceite que escape bajo presión puede penetrar la piel y causar lesiones graves. Si se inyecta aceite bajo la piel, consulte a un médico inmediatamente.



**IMPORTANTE:** Únicamente técnicos calificados en sistemas hidráulicos habrán de prestarle servicio al equipo hidráulico. Comuníquese con el Centro de Servicio ENERPAC autorizado en su zona para prestarle servicio de reparaciones. Use únicamente aceite ENERPAC a fin de proteger su garantía.



**ADVERTENCIA:** Reemplace inmediatamente las piezas gastadas o dañadas por piezas ENERPAC genuinas. Las piezas de calidad corriente se romperán, lo que causará lesiones y daños a la propiedad. Las piezas ENERPAC están diseñadas para encajar debidamente y resistir grandes cargas.

## 2.2 Precauciones de seguridad de la ATP-1500



**Advertencia:** La inobservancia de las siguientes precauciones puede dar como resultado lesiones graves o la muerte.

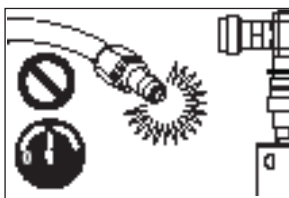
- Siempre usar protección para los ojos, guantes y botas al operar la bomba.
- Si no se utiliza correctamente, el equipo hidráulico a alta presión puede ser muy peligroso. Mantenerse alejado de fugas de aceite a alta presión. Un líquido que se escapa de un equipo altamente presurizado tiene la suficiente potencia como para entrar en contacto con la piel, lo que podría causar septicemia. En caso de que este accidente ocurriera, buscar atención médica INMEDIATA.

- Nunca intentar desconectar un acoplador hidráulico mientras esté bajo presión.

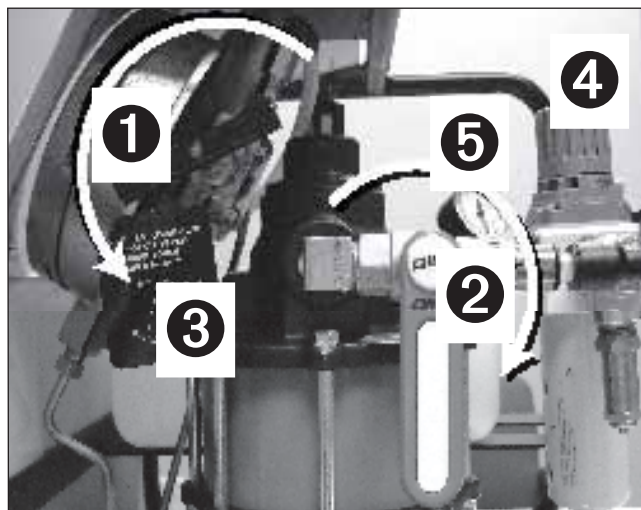


- Nunca intentar reparar fugas si el sistema está presurizado. Asegurarse de que el manómetro del sistema indica cero [0] psi/bar antes de realizar cualquier reparación.

- Nunca presurizar la parte posterior de un acoplador macho desconectado. Podría provocar una grave lesión personal si el acoplador falla mientras está bajo presión.



- Tener precaución al momento de la presurización del sistema. La presión puede elevarse más rápido de lo esperado. Observar continuamente el presostato durante la presurización. Estar preparado para detener la presurización inmediatamente en cualquier momento.
- Antes de la operación, asegúrese de que los enchufes rápidos están debidamente desconectados estirando físicamente de ellos.
- Permitir que sólo personal capacitado y experimentado haga operar la bomba. tener especial cuidado para evitar el arranque accidental de la bomba.
- Nunca dejar la bomba presurizada y desatendida. En caso de tener que abandonar el área, cerrar la válvula de aislamiento neumático y asegurarse de que la válvula de descarga (retorno al tanque) de la bomba está completamente abierta. Girar el regulador en sentido antihorario hasta que se indique cero [0] psi/ bar en el manómetro neumático.
- Nunca exceder la presión de trabajo segura de las mangueras hidráulicas, herramientas o bomba. La presión de trabajo máxima permisible (hidráulica) de la bomba ATP-1500 es 21,755 psi [1500 bar].



Clave:

❶ ABIERTA

❷ CERRADA

❸ Válvula de retorno al tanque

❹ Regulador de la presión del aire

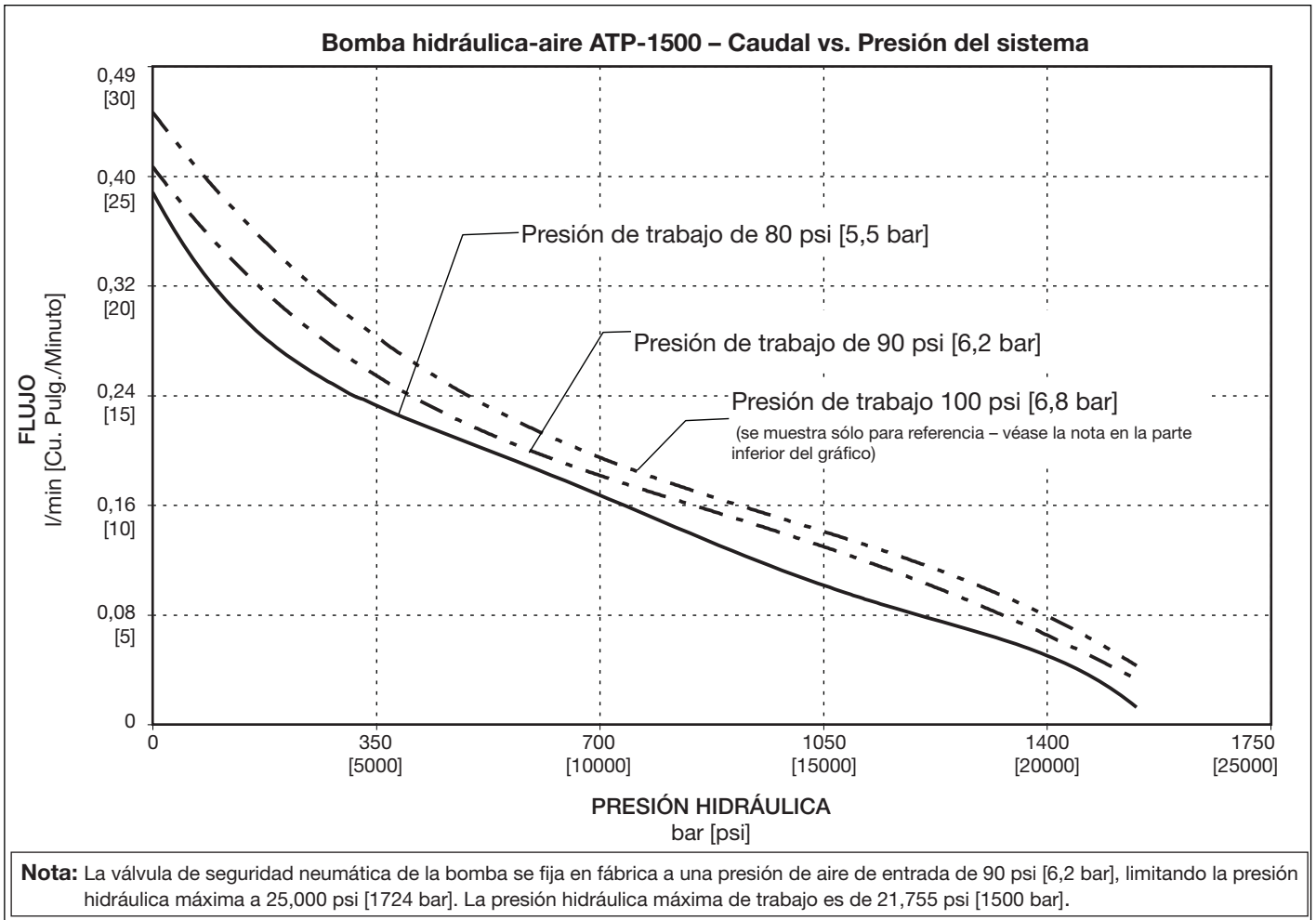
❺ Válvula de aislamiento del aire

*Figura 1, Antes de conectar un suministro de aire*

- Antes de conectar el suministro de aire: Asegurarse de que la válvula de aislamiento neumático (apagado-encendido) está cerrada (es decir, en posición vertical) y que la válvula de retorno de aceite al tanque está abierta. Véase Figura 1.
- Comprobar el manómetro neumático después de conectar el suministro de aire. Si se indica alguna presión, girar el regulador presostático en sentido antihorario hasta que indique cero [0] psi/ bar.
- Presurizar siempre la bomba comenzando por cero [0] psi/bar presión del aire y trabajar hacia arriba. Girar el regulador de la presión del aire LENTAMENTE para evitar incrementos repentinos e inesperados en la presión hidráulica.
- Un vez obtenida la presión hidráulica deseada, cerrar siempre la válvula de aislamiento neumático y girar el regulador de la presión en sentido antihorario hasta que se indique cero [0] psi/ bar en el manómetro neumático.
- Despresurizar siempre antes de dejar el sistema desatendido.

### 3.0 ESPECIFICACIONES

#### 3.1 Datos de rendimiento

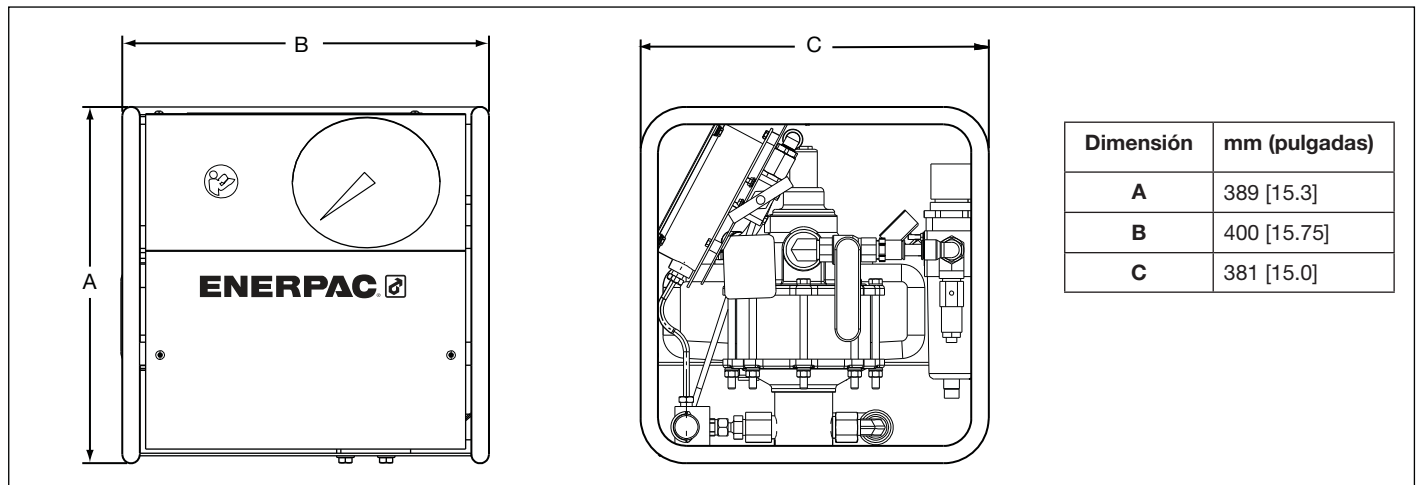


#### 3.2 Ficha técnica

Rango de temperatura	Rango de oleoviscosidad	Aceite tipo hidráulico (recomendado)	Materiales de estanqueidad	Hidr. Máx Presión (en funcionamiento)	Nivel de sonido	Consumo de aire (típico)	Peso (incluyendo aceite)
-29 to +50°C [-20 to +140°F]	[15 - 25 C.S.T.] 150 - 165 S.U.S.	Enerpac HF	Buna y Viton	1500 bar [21,755 psi]	70 dBA Max.	113 L/Min [21 SCFM]	32 Kg [54 lbs.]

\*El consumo real de aire variará dependiendo de la aplicación. Consultar la sección 4.3 para obtener información adicional.

#### 3.3 Dimensiones externas



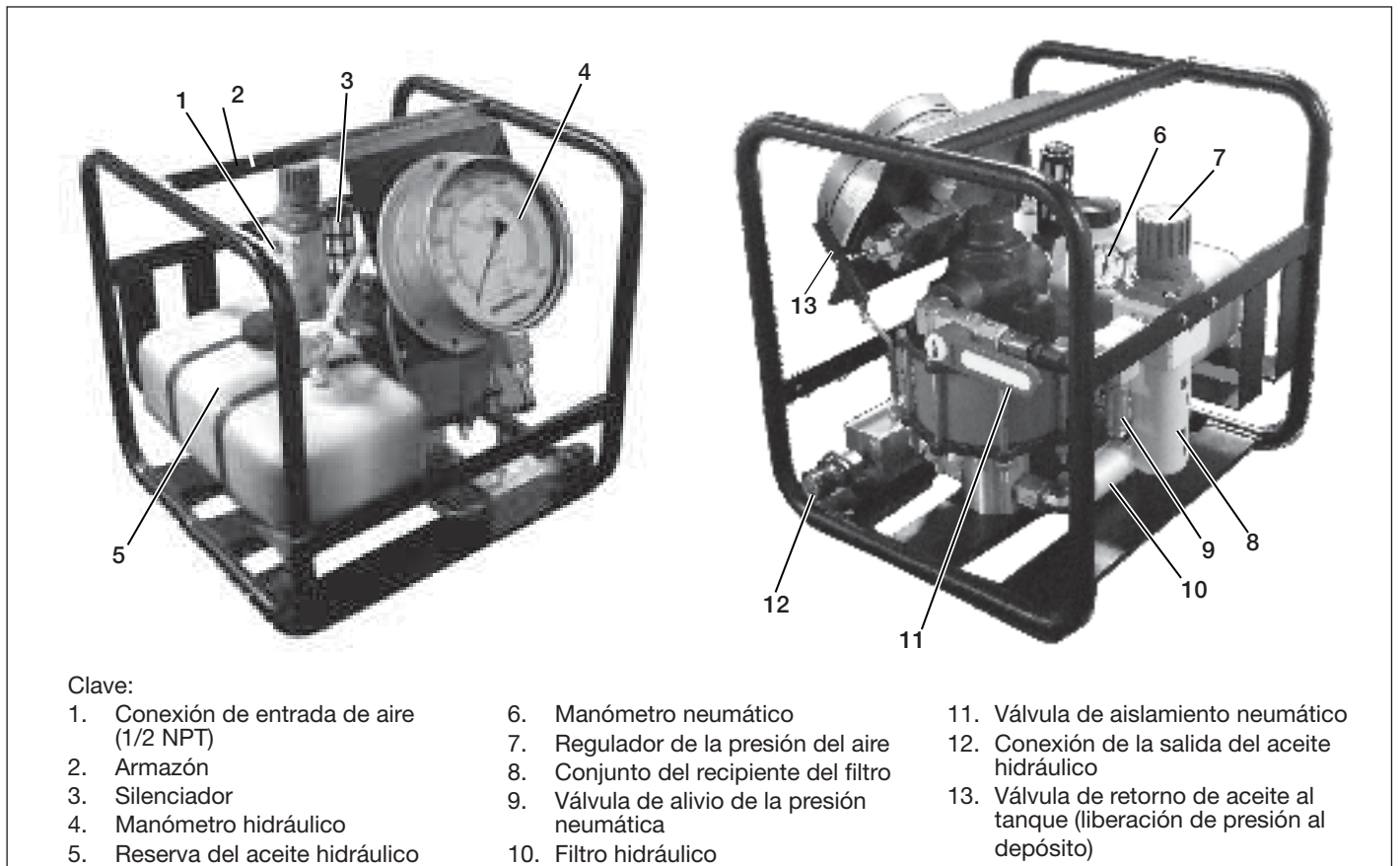


Figura 2, Características de la bomba y componentes (Nota: se han quitado las protecciones y cubiertas sólo por propósitos ilustrativos).

## 4.0 AJUSTES DE LA BOMBA

### 4.1 Depósito de aceite

Comprobar el nivel de aceite de la bomba antes de arrancar. Antes de comprobar el nivel de aceite:

- Asegurarse de que la válvula de aislamiento de aire está CERRADA y de que la válvula de retorno al tanque está ABIERTA Véase Figura 1.
- Asegurarse de que tanto la presión hidráulica de la bomba como los manómetros de presión del aire indican cero [0] psi/bar.

El depósito está LLENO cuando el nivel de aceite se encuentra en la parte superior del depósito como se muestra en la figura 3. La capacidad del aceite es de aproximadamente 3,8 litros [1 US galón]. Use aceite Enerpac tipo HF.

**IMPORTANTE:** Añadir aceite sólo si todos los componentes del sistema están completamente replegados o si el sistema contiene más aceite de lo que el depósito puede resistir.

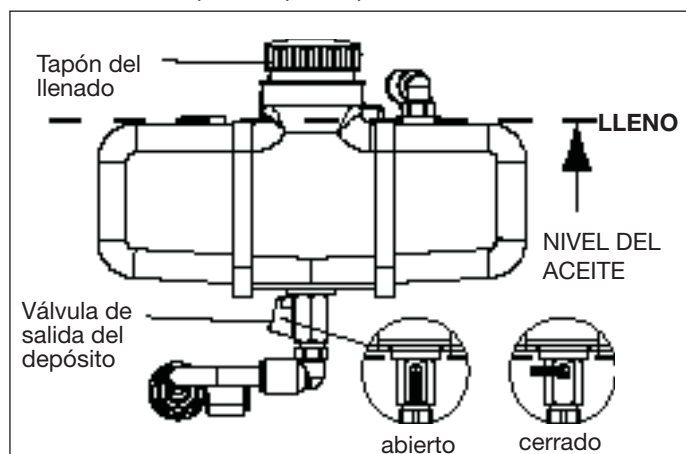


Figura 3, Depósito de aceite hidráulico

### 4.2 Conexiones hidráulicas y neumáticas



**ADVERTENCIA:** Antes de conectar el suministro de aire, asegurarse de que la válvula de aislamiento neumático (apagado-encendido) está cerrada (es decir, manipular en posición vertical) y que la válvula de retorno de aceite al tanque está abierta. Véase Figura 1. Además, asegurarse de que el regulador de la presión neumática está completamente desactivado de modo que el manómetro de presión neumática indique cero [0] psi..

Realizar las conexiones según se necesite.

- La entrada de aire a la bomba está situada en el cuerpo del regulador de la presión neumática. Es una conexión 1/2" NPT estándar.
- La salida de aceite hidráulico de la bomba es una conexión hembra 1/4" BSPP. En bombas utilizadas en aplicaciones de empernado, se instala generalmente un enchufe rápido en la conexión BSPP.

### 4.3 Requisitos de aire

El consumo de aire de la bomba es de aproximadamente 21 SCFM [113 L/min] de aire libre a 100 psi [6,8 bar] de presión de descarga del aceite. En presiones neumáticas más bajas y presiones hidráulicas más altas, el consumo de aire se verá reducido proporcionalmente a los caudales indicados.

**IMPORTANTE:** La presión del suministro de aire a la bomba no debería exceder los 90 psi [6,2 bar].



**ADVERTENCIA:** La válvula de seguridad neumática de la bomba viene tarada de fábrica a 90 psi [6,2 bar]. Para evitar lesiones personales y daños al equipo, no intente elevar el ajuste de la válvula de seguridad.

Usar sólo aire comprimido seco y filtrado. Se recomienda encarecidamente usar un filtro regulador-lubricador.

Los componentes internos de la bomba son autolubricantes. NO SE NECESITA aire lubricado.

#### 4.4 Cebado de la bomba (purga de aire)

**IMPORTANT:** Las nuevas bombas DEBEN cebarse ANTES del arranque inicial.

Lleve a cabo los procedimientos de cebado como se describe en los siguientes pasos: Consultar las figuras 4 a 7.

1. Asegurarse de que el depósito hidráulico se ha llenado con el aceite correcto y la válvula de salida del depósito está abierta. Consultar la sección 4.1.
2. Asegurarse de que la válvula de aislamiento neumático está en la posición CERRADA y que la válvula de retorno de aceite al tanque está abierta.
3. Aflojar el tapón del llenado aproximadamente medio giro para proporcionar ventilación de aire. **Es necesaria la ventilación para un funcionamiento adecuado.**

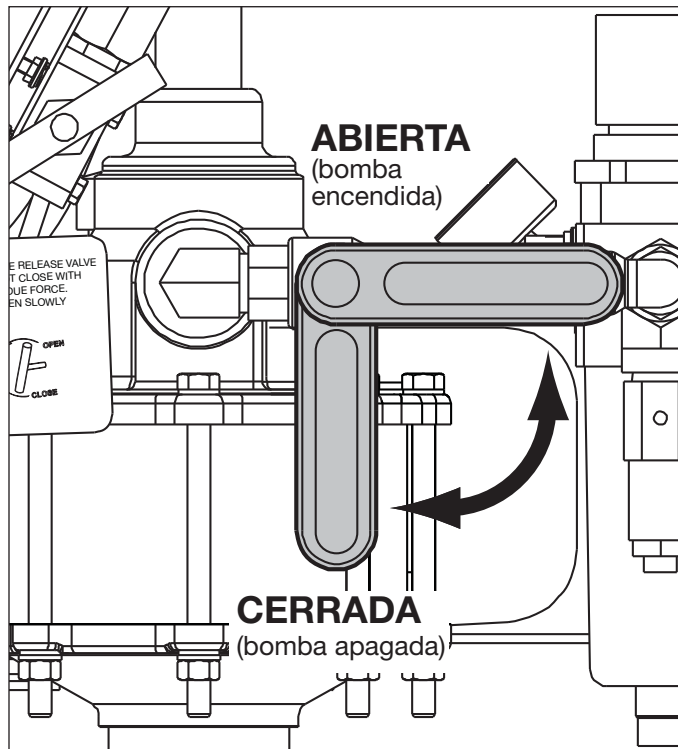


Figura 4, Válvula de aislamiento neumático

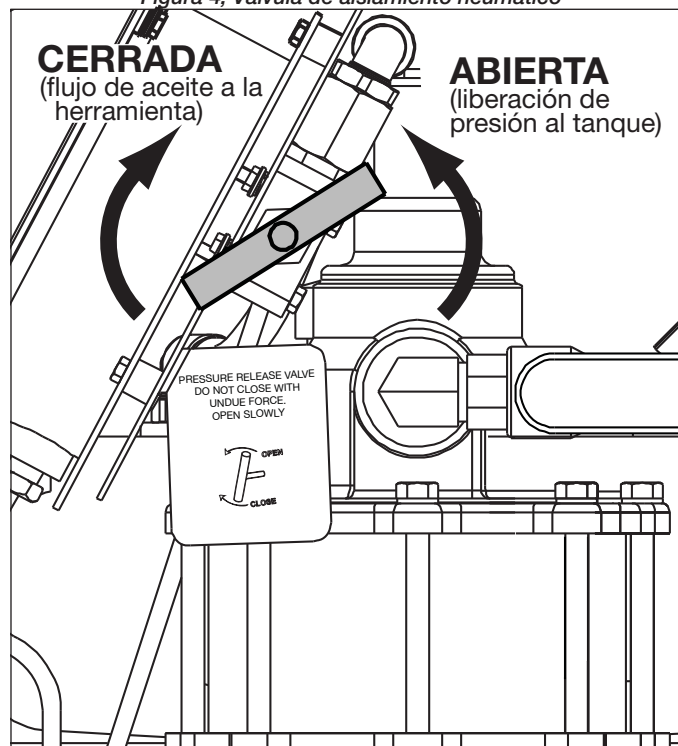


Figura 5, Válvula de retorno de aceite al tanque

4. Conectar la manguera de suministro de aire a la conexión de entrada de aire de la bomba.
5. Mientras la válvula de aislamiento neumático permanece CERRADA, activar la fuente de aire y comprobar el manómetro de aire. Si se indica alguna presión, girar el regulador presostático en sentido antihorario según se necesite hasta que indique cero [0] psi/ bar.

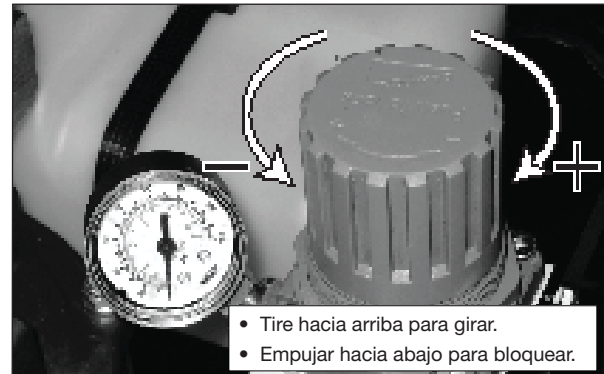


Figura 6, Manómetro de aire y regulador

6. Conectar un extremo de una manguera hidráulica de 1 m [3 pies] a la conexión de salida del aceite de la bomba.
7. Instalar una conexión de rápida desconexión a cada lado de la manguera.
8. Desenroscar el tapón de llenado del depósito. Colocar el extremo de la manguera con una conexión de extremo abierto dentro del depósito. Esto permitirá el retorno de aceite durante el cebado.
9. Cerrar la válvula de retorno de aceite al tanque. Mover la válvula de aislamiento neumático a la posición ABIERTA.
10. Usando el regulador de la presión del aire, aumente LENTAMENTE la presión neumática de 0 psi a 10-15 psi [0,68 - 1,0 bar] para iniciar el funcionamiento de la bomba.
11. Verificar que el aceite retorna al depósito por la manguera. Aumentar la presión del aire a 40 psi [2,75 bar] hasta purgar todo el aire del sistema (hasta que no haya burbujas visibles en el flujo de retorno del aceite).
12. Mover la válvula de aislamiento neumático de nuevo a la posición CERRADA. La bomba se detendrá.
13. Girar el regulador en sentido antihorario hasta que se indique cero [0] psi/ bar en el manómetro neumático.
14. Abrir la válvula de retorno de aceite al tanque para aliviar toda presión hidráulica residual. Verificar que el manómetro hidráulico indica cero (0) psi/bar.

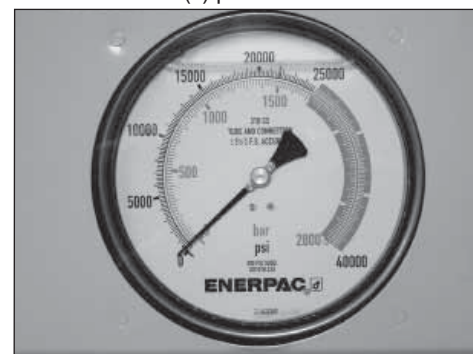


Figura 7, Manómetro hidráulico

15. Retirar la manguera de retorno de aceite de 1 m [3 pies] de longitud del depósito. Instalar de nuevo el tapón de llenado del depósito.
16. Desconectar la manguera de retorno del aceite de la conexión de salida de aceite de la bomba.

## 5.0 PFUNCTIONAMIENTO DE LA BOMBA

Operar la bomba como se describe en las secciones 5.1 a 5.4. Consultar las figuras 4 a 7.

**IMPORTANTE:** Las nuevas bombas deben cebarse antes del arranque inicial. Consultar la sección 4.4.

### 5.1 Antes de presurizar la bomba

1. Asegurarse de que la válvula de aislamiento neumático está en la posición CERRADA y que la válvula de retorno de aceite al tanque está abierta.
2. Preparar la bomba para el funcionamiento. Revisar el nivel del aceite y realizar las conexiones de mangueras según se necesite. Consultar las secciones 4.1, 4.2 y 4.3.
3. Mientras la válvula de aislamiento neumático permanece CERRADA, activar la fuente de aire y comprobar el manómetro de aire. Si se indica alguna presión, girar el regulador presostático en sentido antihorario según se necesite hasta que indique cero [0] psi/ bar.
4. Aflojar el tapón del llenado aproximadamente medio giro para proporcionar ventilación de aire. **Es necesaria la ventilación para un funcionamiento adecuado.**

### 5.2 Presurización de la bomba

1. Cerrar la válvula de retorno de aceite al tanque.

**IMPORTANTE:** Cerrar la válvula de retorno de aceite al tanque sólo con presión manual. El uso de herramientas puede causar daños a la válvula y/o asiento.

2. Mover la válvula de aislamiento neumático a la posición ABIERTA.
3. Aumentar LENTAMENTE la presión neumática (girar el regulador de la presión neumática en sentido horario) hasta que la bomba comience a funcionar y se empiece a acumular la presión hidráulica.



**PRECAUCIÓN:** CObservar continuamente el manómetro hidráulico mientras la bomba funciona. Las presiones pueden elevarse más rápido de lo esperado. Prepararse para cerrar válvula de aislamiento neumático inmediatamente cuando se indique la presión hidráulica deseada.

**IMPORTANTE:** El tiempo necesario para presurizar el circuito hidráulico variará dependiendo del número y el tipo de herramientas conectadas, el volumen de aire disponible, las longitudes de la manguera hidráulica y otros factores.

4. Cuando aparezca el valor deseado en el manómetro hidráulico, parar de girar el regulador y mover la válvula de aislamiento neumático a la posición CERRADA. La bomba se detendrá.
5. Girar el regulador presostático en sentido antihorario según se necesite hasta que indique cero [0] psi/ bar.

### 5.3 Despresurización de la bomba

1. Asegurarse de que la válvula de aislamiento neumático está en la posición CERRADA.
2. Abrir LENTAMENTE la válvula de retorno de aceite al tanque para liberar la presión hidráulica. Verificar que el manómetro de la presión hidráulica indica cero (0) bar/psi.

### 5.4 Apagar y desconectar la bomba

1. Be sure that air-shutoff valve is in the CLOSED position. Turn the air pressure regulator knob counter-clockwise as required, until the air pressure gauge indicates zero [0] psi/bar.
2. Asegurarse de que la válvula de aislamiento neumático está en la posición CERRADA. Girar el regulador presostático en sentido antihorario según se necesite hasta que el regulador de la presión indique cero [0] psi/ bar.
2. Abrir LENTAMENTE la válvula de retorno de aceite al tanque (si está cerrada) para purgar cualquier presión hidráulica restante. Verificar que el manómetro hidráulico indica cero (0) psi/bar.
3. Desconectar la manguera de suministro de aire desde la conexión de entrada de aire de la bomba.
4. Desconectar la manguera de suministro de aceite de la conexión de salida de aceite de la bomba.

5. Cerrar completamente el tapón de llenado del depósito.

**IMPORTANT:** El tapón de llenado del depósito debe estar completamente cerrado cuando la bomba no se use para evitar que entren partículas contaminantes en el sistema.

6. Almacenar la bomba como se describe en la sección 6.0.

## 6.0 ALMACENAMIENTO

- Asegurarse de que la válvula de retorno de aceite al tanque está en la posición ABIERTA.
- Comprobar si el tapón de llenado del depósito está completamente cerrado.
- Retirar el recipiente del filtro. Drenar el agua y eliminar la suciedad. Reinstalar el recipiente después de drenar.
- Almacenar la bomba en posición recta en una posición limpia y seca.
- Colocar cubiertas antipolvo en la salida de aceite hidráulico y en las conexiones de entrada de aire.
- Si se almacena la bomba durante un largo período de tiempo, aplicar un inhibidor antioxidante adecuado para todos los elementos metálicos no plateados que estén expuestos a la intemperie.

## 7.0 MANTENIMIENTO

Consultar la Figura 8 para conocer las ubicaciones de los elementos de mantenimiento de la bomba.

**IMPORTANTE:** Tomar precauciones al proteger la bomba y líneas de aceite contra la entrada de suciedad y arena. Una materia extraña en el sistema puede provocar fallos en la bomba o daños a los componentes de la bomba. Este tipo de daños no está cubierto por la garantía.

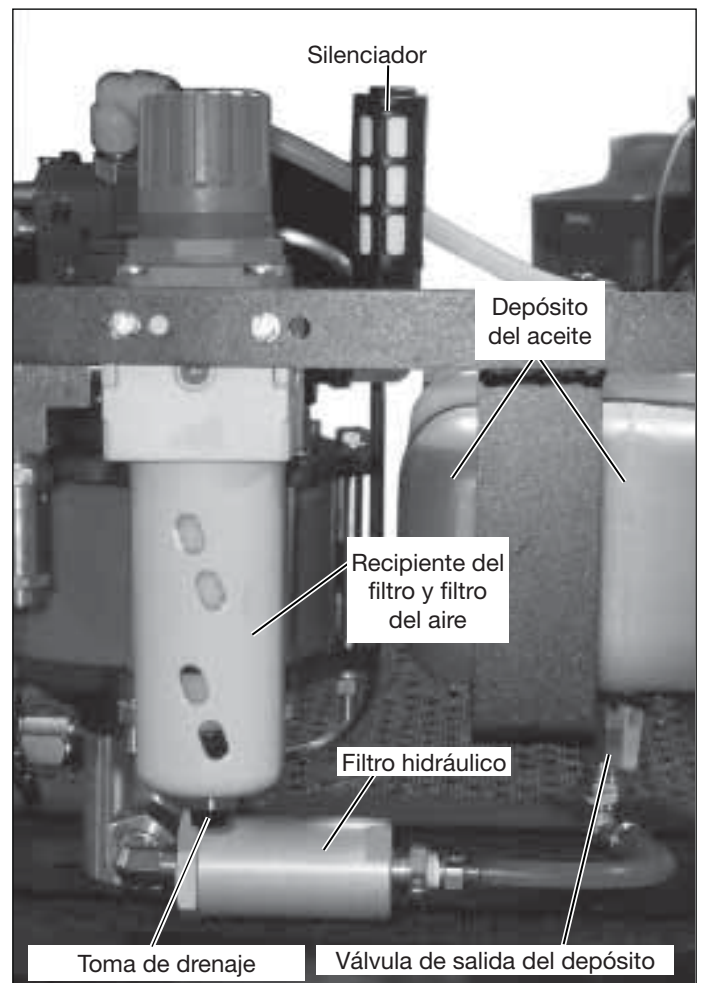


Figura 8, Elementos de mantenimiento de la bomba



**ADVERTENCIA:** Antes de comenzar cualquier tarea de mantenimiento o reparación, asegurarse de que la válvula de retorno de aceite al tanque está abierta y de que la válvula de aislamiento neumático está cerrada. Desconectar siempre las líneas neumática e hidráulica de la bomba. Verificar que el manómetro indica cero [0] psi/bar

### 7.1 Filtro del aire

Sustituir el elemento del filtro de aire si parece sucio o si se observa una caída notable en el flujo de aire. Véase Figura 9 para el diagrama de piezas.

### 7.2 Toma de drenaje del recipiente del filtro

El recipiente del filtro se drenará automáticamente cuando el nivel del agua aumente a aproximadamente 1/3 de la altura del recipiente. El recipiente debe estar presurizado a al menos 22 psi [1,5 bar] para que pueda ocurrir un drenaje automático. Si lo desea puede conectarse a la toma de drenaje del recipiente, una manguera de drenaje con una conexión BSPP de 1/8 pulgada (suministrada por el usuario).

Sustituir todo el conjunto del recipiente si falla el funcionamiento del autodrenaje. Véase Figura 9 para el diagrama de piezas.

**IMPORTANTE:** Para evitar dañar el conjunto del autodrenaje, no intentar aflojar la tuerca de la toma de drenaje. El recipiente no contiene ninguna válvula de drenaje manual. Si se desea realizar un drenaje manual, cerrar el suministro de aire y drenar toda el agua retenida retirando el recipiente.

### 7.3 Silenciador

Inspeccionar periódicamente el silenciador. Retirar toda la suciedad suelta o residuo de aceite con un paño. Sustituir el silenciador si se atasca o si se observa que aumenta el ruido de la bomba. Véase Figura 8 para la ubicación.

### 7.4 Cambio de aceite

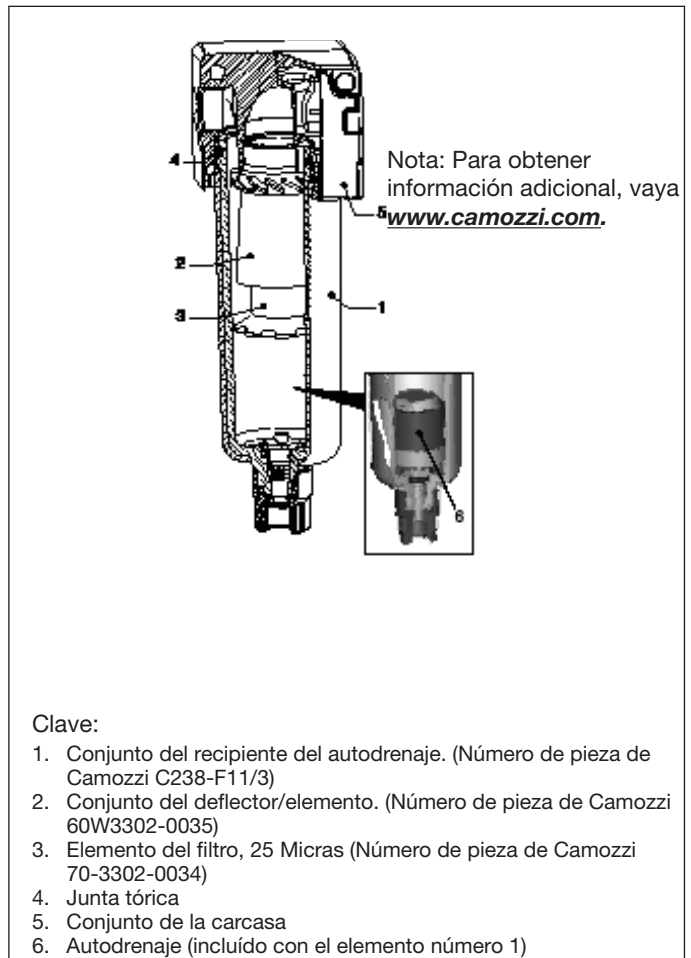
El aceite Enerpac HF es de color azul. Comprobar con frecuencia el estado del aceite para ver si está contaminado comparando el aceite de la bomba con aceite Enerpac nuevo. Por regla general, drenar y limpiar completamente el depósito cada 250 horas o con más frecuencia si se usa en ambientes sucios.

Cambiar el aceite como se describe en los siguientes pasos: Consultar la Figura 8:

1. Cerrar la válvula de salida del depósito
2. Desconectar la manguera del aceite en el filtro hidráulico, colocar un contenedor adecuado bajo el extremo abierto de la manguera.
3. Abrir la válvula de salida del depósito Permitir que el aceite se drene en el contenedor de abajo. Deshacerse del aceite usado de acuerdo con las regulaciones y leyes aplicables.
4. Desmontar el conjunto del filtro hidráulico. Limpiar y reinstalar (o sustituir) el elemento del filtro hidráulico. Consultar la sección 7.5 para obtener información adicional.
5. Reacoplar la manguera del aceite al filtro hidráulico. Para evitar la entrada de aire o las fugas, asegurarse de que las conexiones están bien apretadas.
6. Abrir la válvula de salida del depósito Cebiar la bomba como se describe en la sección 4.4.

### 7.5 Filtro hidráulico

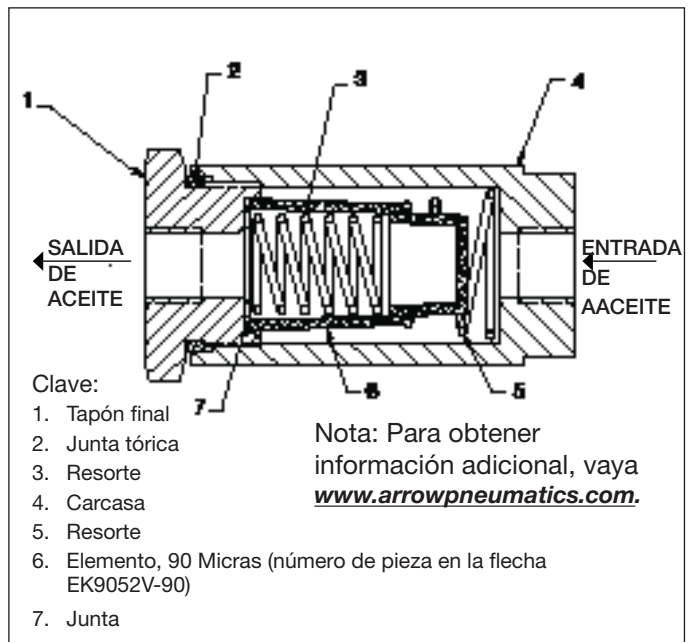
Retirar e inspeccionar el elemento del filtro hidráulico en cada cambio de aceite. El elemento puede limpiarse y reutilizarse si está en buen estado. No obstante, debería instalarse un nuevo elemento si el viejo está dañado o si se ha limpiado más de tres veces. Comprobar el elemento si ocurre una caída notable en el rendimiento de la bomba Véase Figura 10 para el diagrama de piezas.



Clave:

1. Conjunto del recipiente del autodrenaje. (Número de pieza de Camozzi C238-F11/3)
2. Conjunto del deflector/elemento. (Número de pieza de Camozzi 60W3302-0035)
3. Elemento del filtro, 25 Micras (Número de pieza de Camozzi 70-3302-0034)
4. Junta tórica
5. Conjunto de la carcasa
6. Autodrenaje (incluido con el elemento número 1)

Figura 9, Detalles del recipiente del filtro hidráulico



Clave:

1. Tapón final
2. Junta tórica
3. Resorte
4. Carcasa
5. Resorte
6. Elemento, 90 Micras (número de pieza en la flecha EK9052V-90)
7. Junta

Nota: Para obtener información adicional, vaya [www.arrowpneumatics.com](http://www.arrowpneumatics.com).

Figura 10, Detalles del filtro hidráulico



## 8.0 SOLUCIÓN DE PROBLEMAS

Sólo técnicos hidráulicos cualificados deberían realizar tareas de servicio en la bomba o los componentes del sistema. Un fallo del sistema no es necesariamente el resultado de un mal funcionamiento de la bomba. Para determinar las causas del problema, debería considerarse el sistema completo en cualquier procedimiento de diagnóstico.

La tabla de solución de problemas siguiente ha de ser usada únicamente como ayuda para determinar si existe un problema. Para servicio de reparación, contactar con su centro de servicio técnico autorizado de Enerpac de su zona.

Problema	Causa posible	Acción
La bomba no funciona.	No hay presión neumática en el suministro.	Comprobar el suministro de aire.
	Válvula de aislamiento neumático de la bomba cerrada.	Válvula de aislamiento neumático de la bomba abierta.
	Regulador de la presión neumática de la bomba fijado demasiado bajo.	Comprobar el ajuste del regulador de la presión.
	Filtro del aire de la bomba sucio.	Sustituir el elemento del filtro del aire.
	Motor del aire de la bomba desgastado o dañado.	Consultar al centro de servicio técnico autorizado Enerpac.
	Elemento de la bomba atascado.	Consultar al centro de servicio técnico autorizado Enerpac.
La bomba no crea presión hidráulica o crea una presión menor a la deseada.	Baja presión neumático o volumen en el suministro	Comprobar el suministro de aire.
	Regulador de la presión neumática de la bomba fijado demasiado bajo.	Comprobar el ajuste del regulador.
	Filtro del aire de la bomba sucio.	Sustituir el elemento del filtro del aire.
	Válvula de la bomba de retorno al tanque abierta o no completamente cerrada.	Cerrar la válvula de retorno al tanque.
	Nivel bajo de aceite en el depósito.	Comprobar el nivel de aceite. Agregar aceite según se necesite.
	Filtro hidráulico de la bomba sucio.	Limpiar o sustituir el elemento del filtro hidráulico.
	Fuga de aceite en las mangueras hidráulicas, conexiones o herramientas.	Sustituir los elementos con fugas si fuese necesario.
	Fugas en la válvula de la bomba de retorno al tanque.	Sustituir la válvula de retorno al tanque.
	Motor del aire de la bomba desgastado o dañado.	Consultar al centro de servicio técnico autorizado Enerpac.
	Fuga interna en el elemento de la bomba y/o motor de aire.	Consultar al centro de servicio técnico autorizado Enerpac.
Funcionamiento desigual o irregular de la bomba.	Baja presión neumático o volumen en el suministro.	Comprobar el suministro de aire.
	Bomba no cebada y/o aire en las líneas hidráulicas.	Ceban la bomba como se describe en la sección 4.4.
	Aceite hidráulico sucio.	Cambiar el aceite hidráulico. Usar únicamente aceite Enerpac tipo HF. Limpiar o sustituir el elemento del filtro hidráulico.
	Elemento de la bomba desgastado o dañado.	Consultar al centro de servicio técnico autorizado Enerpac.
Humedad excesiva en el escape de la bomba.	Excesiva presencia de agua y/o lubricante en el aire de suministro.	Reducir la humedad del aire. Instalar el separador de agua. <b>Nota:</b> Los componentes de la bomba son autolubricantes. No se necesita aire lubricado.
	El recipiente del filtro de aire de la bomba necesita drenarse.	Comprobar si hay agua en el recipiente. Drenar según se necesite.
	Filtro del aire de la bomba sucio.	Sustituir el elemento del filtro del aire.
	Fuga interna en el elemento de la bomba y/o motor de aire.	Consultar al centro de servicio técnico autorizado Enerpac.

L2743 Rev. A 06/10

## 1.0 BELANGRIJKE INSTRUCTIES BIJ ONTVANGST

Controleer visueel alle onderdelen op schade opgelopen tijdens de verzending. Schade opgelopen tijdens de verzending wordt niet door de garantie gedekt. Als schade opgelopen tijdens de verzending wordt gevonden, de transporteur hier onmiddellijk van op de hoogte stellen. De transporteur is verantwoordelijk voor alle reparatie- of vervangingsonkosten als gevolg van opgelopen schade tijdens de verzending.

## 2.0 VEILIGHEID

### 2.1 ALGEMENE HYDRAULISCHE VEILIGHEIDSMATREGELEN



Lees nauwkeurig alle instructies, waarschuwingen en let op-gedeelten. Volg alle veiligheidsvoorzieningen om persoonlijk letsel of schade aan eigendom te voorkomen als het systeem in werking is. Enerpac kan niet verantwoordelijk worden gesteld voor schade of letsels als gevolg van onveilig gebruik van dit product, gebrek aan onderhoud, of onjuiste toepassing van het product of het systeem. Neem contact op met Enerpac mocht u twijfels hebben over veiligheidsvoorzieningen en werkingen. Als u nooit een opleiding in hogedruk hydraulische veiligheid hebt gevolgd neem dan contact op met uw verdeel- of servicecentrum voor een gratis veiligheidskursus van Enerpac Hydraulic.

Het niet volgen van deze waarschuwingsboodschappen en voorzorgsmaatregelen kan schade aan de machine en persoonlijk letsel veroorzaken.

**LET OP** wordt gebruikt om correcte bedienings- en onderhoudsprocedures en praktijken aan te duiden om schade aan, of vernietiging van, machines of andere eigendom te voorkomen.

**WAARSCHUWING** wijst op een mogelijk gevaar dat de juiste procedures en praktijken vereist om persoonlijk letsel te voorkomen.

**GEVAAR** wordt enkel gebruikt als uw actie of gebrek aan actie ernstig letsel of zelfs de dood tot gevolg kan hebben.



**WAARSCHUWING:** Draag de juiste persoonlijke beschermende kleding bij het werken met hydraulische machines.



Stel het drukontlastventiel (enkel pompen uitgerust met een door de gebruiker instelbaar drukontlastventiel) nooit in op een hogere druk dan de maximum drukcapaciteit van de pomp. Een hogere instelling kan schade aan de uitrusting en/of persoonlijk letsel tot gevolg hebben.



**WAARSCHUWING:** De bedieningsdruk van het systeem mag de nominale drukwaarde van het onderdeel met de laagste waarde in het systeem niet overschrijden. Installeer drukmeters in het systeem om de bedieningsdruk te controleren. Op die manier weet u wat er in het systeem gebeurt.



**LET OP:** De hydraulische slang niet beschadigen. Vermijd ombuigen en knikken bij het aanbrengen van de hydraulische slangen. Een gebogen of geknikte slang gebruiken kan ernstige tegendruk van de afvoerstroam



veroorzaken. Scherpe ombuigingen en knikken beschadigen de slang aan de binnenkant wat tot vroegtijdig falen van de slang kan leiden.



**Geen zware** objecten op de slang laten vallen. Een scherpe impact kan interne schade aan de draadvezels van de slang veroorzaken. Druk uitoefenen op een slang die beschadigd is, kan scheuren van de slang tot gevolg hebben.



**BELANGRIJK:** : Hydraulische machines niet bij de slangen of de wartelkoppelingen opheffen. Gebruik de draaghandgreep of een ander middel om de machine veilig te transporteren.



**LET OP:** Houd de hydraulische machine weg van vlammen en hitte. Buitenmatige hitte verzacht de pakkingen en afdichtingen wat tot vloeistoflekken kan leiden. Hitte verzwakt ook slangmaterialen en pakkingen. Voor optimale prestaties de machines niet blootstellen aan temperaturen van 65°C (150°F) of hoger. Bescherm slangen en cilinders tegen lasspeters.



**GEVAAR:** Slangen die onder druk staan, niet aanraken. Als olie die onder druk staat ontsnapt, kan het door de huid dringen wat ernstige letsel kan veroorzaken. Als olie onder de huid wordt geïnjecteerd, onmiddellijk een arts raadplegen.



**BELANGRIJK:** Hydraulische machines mogen enkel door een bevoegd hydraulisch technicus van onderhoud worden voorzien. Voor reparaties dient u contact op te nemen met een nabijgelegen bevoegd ENERPAC servicecentrum. Om uw garantie te beschermen, enkel ENERPAC olie gebruiken.



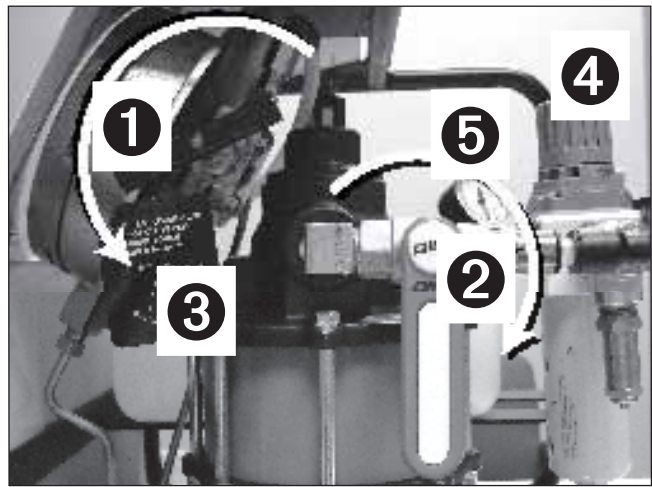
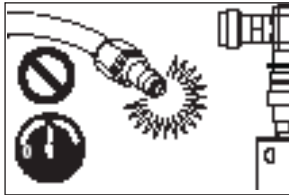
**WAARSCHUWING:** Immediately replace worn or damaged parts by genuine EVerstelen of beschadigde onderdelen onmiddellijk met authentieke ENERPAC onderdelen vervangen. Standaardonderdelen breken, wat tot persoonlijk letsel en schade aan eigendom kan leiden. ENERPAC onderdelen zijn zodanig ontworpen dat ze precies passen en hoge ladingen kunnen weerstaan.

## 2.2 Veiligheidsvoorzorgsmaatregelen



**Waarschuwing:** niet-naleving van de volgende voorzorgen kan resulteren in ernstig persoonlijk letsel of de dood!

- Draag altijd oogbescherming, handschoenen en laarzen bij het bedienen van de pomp.
- Hogedruk hydraulische apparatuur kan gevaarlijk zijn bij misbruik. Blijf uit de buurt van olieklekken onder hoge druk. Vloeistof die ontsnapt uit apparatuur onder zeer hoge druk heeft voldoende vermogen om binnen te dringen in de huid, wat kan leiden tot bloedvergiftiging. In geval van een dergelijk ongeval, ONMIDDELIJK medische hulp inroepen.
- Probeer nooit een hydraulische koppeling los te koppelen terwijl die onder druk staat.
- Probeer nooit lekken te repareren terwijl het systeem onder druk staat. Zorg ervoor dat de systeemmanometer nul 0 bar/psi aanduidt vooraleer reparaties uit te voeren.
- De achterzijde van een losgekoppelde mannelijke koppeling nooit onder druk zetten. Dit kan een ernstig letsel tot gevolg hebben als de koppeling defect is terwijl deze onder druk staat.
- Wees voorzichtig wanneer een systeem onder druk wordt gezet. De druk kan sneller stijgen dan verwacht. Permanent de manometer controleren bij het uitoefenen van druk. Wees voorbereid om de pomp onmiddellijk te stoppen.
- Vóór de werking ervoor zorgen dat snelkoppelingen juist zijn aangesloten door er fysiek aan te trekken.
- Laat alleen getraind en ervaren personeel de pomp bedienen. Wees vooral voorzichtig om te voorkomen dat de pomp per ongeluk start.
- Laat de pomp nooit onder druk zonder toezicht. Wanneer u de ruimte moet verlaten, sluit de luchtklep en zorg ervoor dat de ontlastklep (retour-naar-tank) op de pomp volledig open is. Draai de luchtdruk regelknop naar links tot 0 bar wordt aangegeven op de lucht manometer.
- Nooit de veilige werkdruk overschrijden voor de hydraulische slangen, het gereedschap of de pomp. De maximaal toelaatbare werkdruk (hydraulisch) voor deze pomp is 1500 bar.



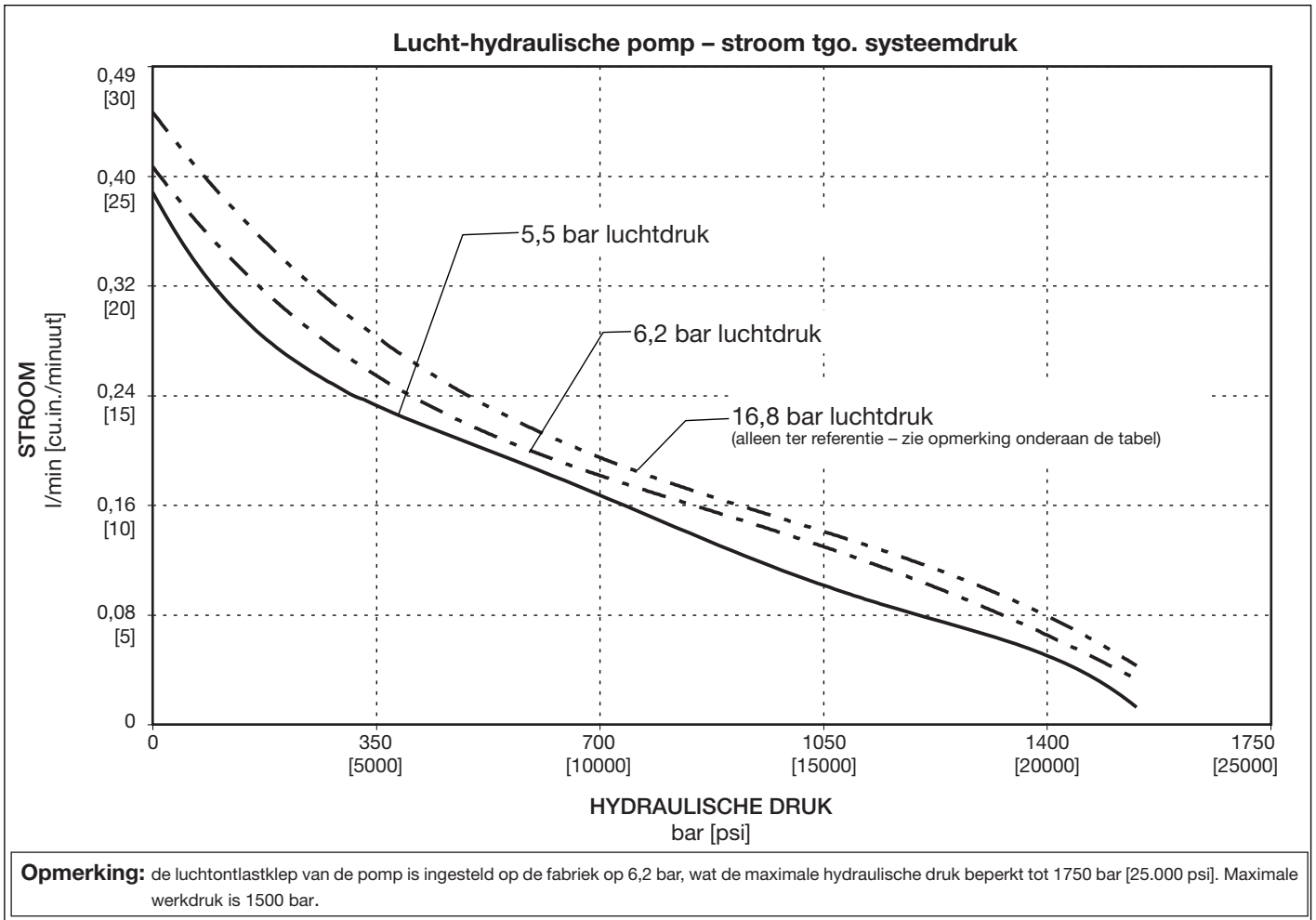
Elementen:	③ Retour-naar-tank klep
① OPEN	④ Lucht drukregulateur
② GESLOTEN	⑤ Lucht ontlastklep

Figura 1, Voor aansluiting van de luchttoevoer

- Vooraleer de luchttoevoer aan te sluiten: zorg ervoor dat de luchtklep (aan/uit) gesloten is (dwz hendel in verticale positie) en dat de olieklep (retour-naar-tank) open is. Zie Figuur 1.
- Controleer de lucht manometer na het aansluiten van de luchttoevoer. Draai de luchtdruk regelknop naar links tot de manometer nul 0 bar aanduidt als er druk wordt aangegeven.
- Altijd druk uitoefenen op de pomp vanaf nul 0 bar luchtdruk en verhogen. Draai de luchtdruk regelknop LANGZAAM om plotselinge en onverwachte toename van de hydraulische druk te voorkomen.
- Nadat de gewenste hydraulische druk is bereikt, sluit altijd de luchtklep en draai de luchtdruk regelknop naar links tot nul 0 bar wordt aangegeven op de luchtmanometer.
- Laat altijd druk af vooraleer het systeem achter te laten zonder toezicht.

### 3.0 SPECIFICATIES

#### 3.1 Prestatiegegevens

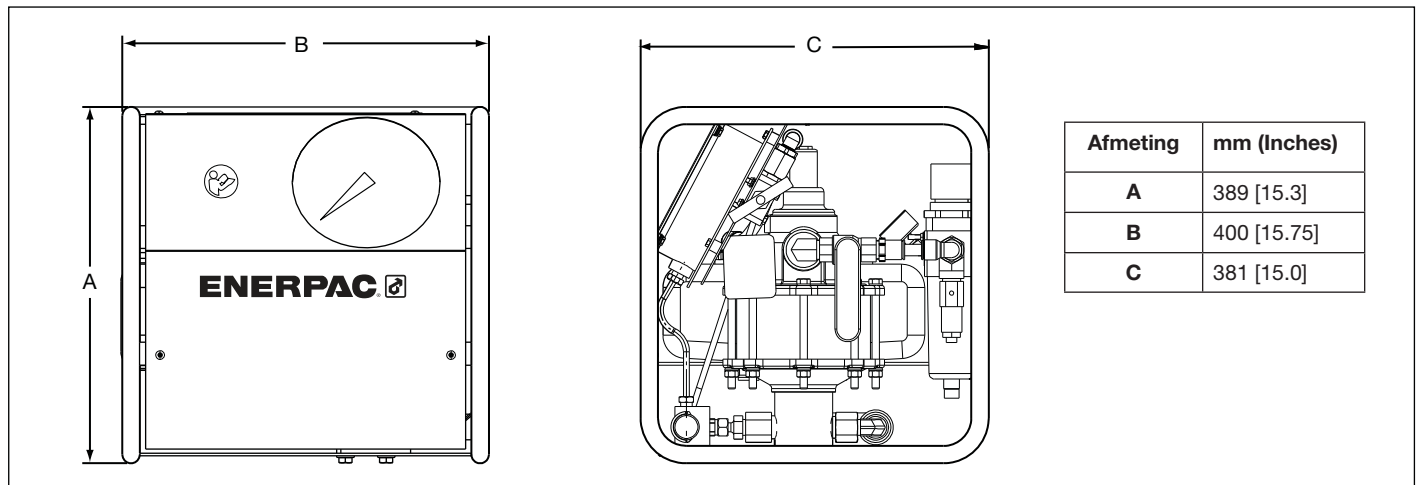


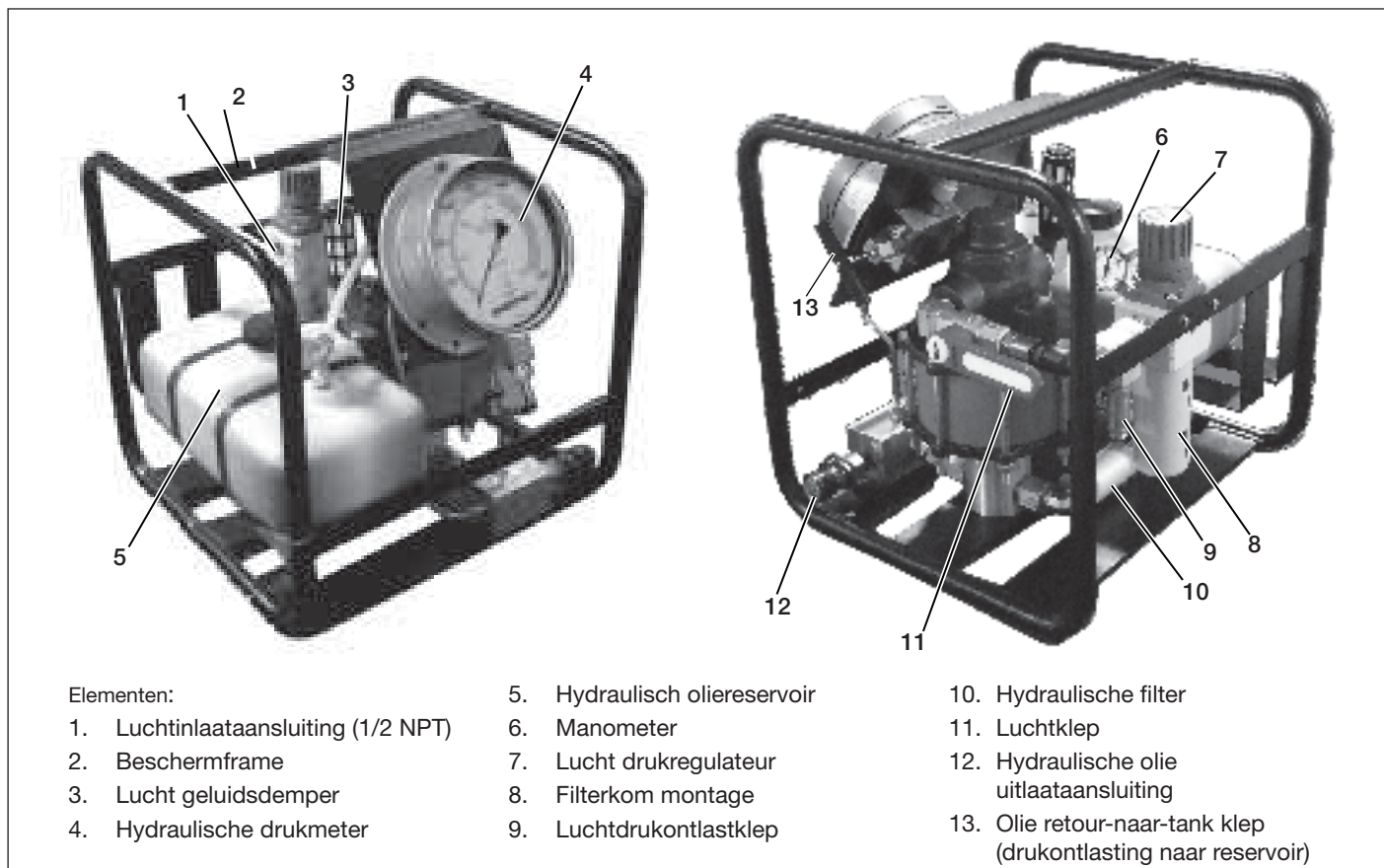
#### 3.2 Technische gegevens

Temperatuurbereik	Olie viscositeitsbereik	Hydraulische olietype (aanbevolen)	Afdichtingsmaterialen	Max hyd. druk (in werking)	Geluidsniveau	Luchtverbruik (typisch)*	Gewicht (inclusief olie)
-29 to +50°C [-20 to +140°F]	[15 - 25 C.S.T.] 150 - 165 S.U.S.	Enerpac HF	Buna and Viton	1500 bar [21,755 psi]	70 dBA Max.	113 L/Min [21 SCFM]	32 Kg [54 lbs.]

\*Werkelijke luchtverbruik zal variëren afhankelijk van de toepassing. Raadpleeg Sectie 4.3 voor meer informatie.

#### 3.3 Externe afmetingen





Figuur 2, Kenmerken en onderdelen (Opmerking: beveiligingen en deksels alleen verwijderd voor illustratieve doeleinden.)

## 4.0 POMPAFSTELLING

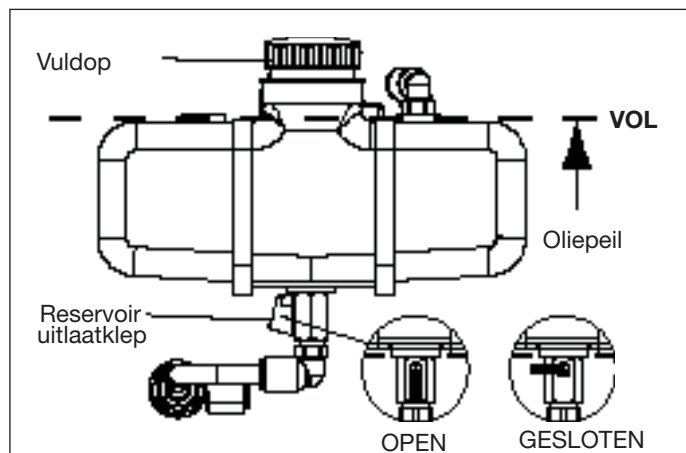
### 4.1 Oliereservoir

Controleer het oliepeil voor dat u de pomp start, en:

- Zorg ervoor dat de luchtklep GESLOTEN is en dat de olieklep retour-naar-tank OPEN is. Zie Figuur 1.
- Zorg ervoor dat de meter van de hydraulische druk op de pomp en de manometer beide nul 0 bar aangeven.

Het reservoir is VOL als het oliepeil bovenaan het reservoir staat, zoals weergegeven in Figuur 3. De oliecapaciteit is ongeveer 3,8 liters. Gebruik Enerpac Type HF olie.

**BELANGRIJK:** vul alleen olie bij wanneer alle systeemonderdelen volledig ingetrokken zijn; anders bevat het systeem meer olie dan het reservoir kan houden.



Figuur 3, Hydraulisch oliereservoir

### 4.2 Lucht- en hydraulische aansluitingen



**WAARSCHUWING:** Bzorg ervoor dat de luchtklep (aan/uit) gesloten is (dwz hendel in verticale positie) en dat de olieklep (retour-naar-tank) open is voordat de luchttoevoer wordt aangesloten. Zie Figuur 1. Zorg er ook voor dat de luchtdrukregelaar volledig is uitgeschakeld, zodat de pomp manometer 0 bar aanduidt.

Maak de aansluitingen naargelang vereist:

- Depompluchtinlaat bevindt zich op de luchtdrukregulateurmontage. Het is een standaard 1/2" NPT-aansluiting.
- De hydraulische olie-uitlaat van de pomp is een 1/4" vrouwelijke BSPP-aansluiting. Op pompen gebruikt in bouttoepassingen, wordt gewoonlijk een vrouwelijke snelkoppeling geïnstalleerd in de BSPP-aansluiting.

### 4.3 Luchtvereisten

Het luchtverbruik van de pomp is ongeveer 113 l/min vrije lucht bij een olie uitlaatdruk van 6,8 bar. Bij lagere luchtdrukken en hogere hydraulische drukken, vermindert het luchtverbruik in verhouding tot de aangegeven stroomsnelheden.

**BELANGRIJK:** de luchttoevoerdruk van de pomp mag niet meer bedragen dan 6,2 bar statisch.



**WAARSCHUWING:** de luchtdrukontlastklep van de pomp is op de fabriek ingesteld op ongeveer 6,2 bar. Om persoonlijk letsel en schade aan apparatuur te voorkomen, geen poging ondernemen om de ontlastklepinstelling te verhogen.

Gebruik alleen droog en gefilterde perslucht. Gebruik van een waterafscheider wordt sterk aanbevolen.

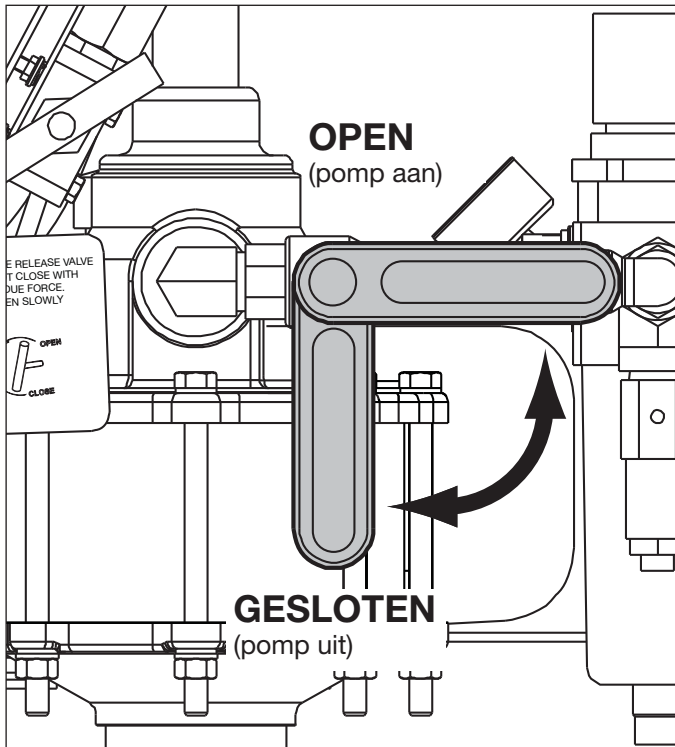
De interne componenten van pomp zijn zelfsmarend. Gesmeerde lucht is NIET vereist.

#### 4.4 Pomp op druk brengen (lucht ontlasten)

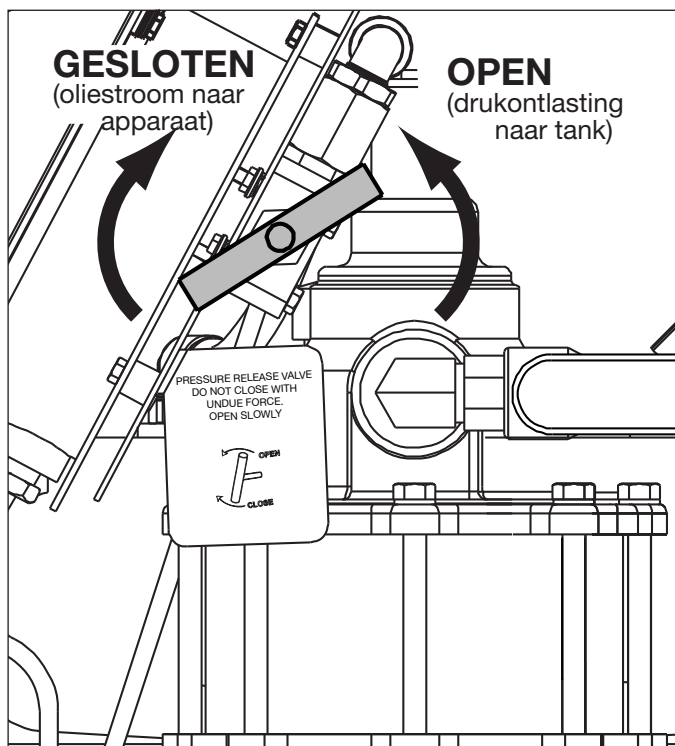
**BELANGRIJK:** Nieuwe pompen MOETEN op druk gebracht worden VOOR het eerste gebruik.

Voer de drukprocedure uit zoals beschreven in de volgende stappen. Raadpleeg de Figuren 4 tot en met 7.

1. Zorg ervoor dat het hydraulische reservoir gevuld is met de juiste olie en dat de reservoir uitlaatklep open is. Zie Sectie 4.1.
2. Zorg ervoor dat de luchtklep GESLOTEN is en dat de olieklep retour-naar-tank OPEN is.
3. Draai de reservoir vuldop los met ongeveer een halve slag om ontluchting te bieden. **Ontluchting is vereist voor de juiste werking.**

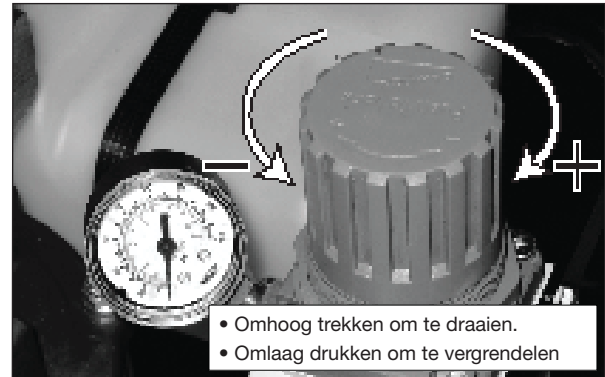


Figuur 4, Luchtklep



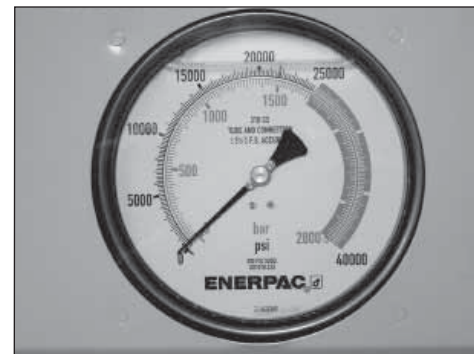
Figuur 5, Olieklep retour-naar-tank

4. Sluit de luchttoevoerslang aan op de luchtinlaataansluiting van de pomp.
5. Terwijl de luchtklep GESLOTEN blijft, activeer de luchtbron en controleer de manometer. Als er druk wordt aangeduid, draai de luchtdruk regelknop naar links naargelang vereist tot de manometer 0 bar aanduidt.



Figuur 6, Manometer en reguleur

6. Sluit het ene uiteinde van een 1 m lange hydraulische slang aan op de olie-uitlaataansluiting van de pomp.
7. Installeer een open snelverbinding op het andere uiteinde van de slang.
8. Draai de reservoir vuldop los. Plaats slanguiteinde met open fitting in het reservoir. Dit laat olie terugvloeien tijdens het op druk brengen.
9. Sluit de olieklep retour-naar-tank. Verplaats de luchtklep naar de positie OPEN.
10. Met gebruik van de luchtdrukregelaar LANGZAAM de luchtdruk opvoeren van 0,7 tot 1,0 bar om de pomp te starten.
11. Controleer dat de olie terug naar het reservoir vloeit via de slang. Voer de luchtdruk op tot 2,75 bar totdat alle lucht is verwijderd uit het systeem (geen luchtbellen zichtbaar in de terugstroom van de olie).
12. Verplaats de luchtklep terug naar de positie GESLOTEN. De pomp stopt.
13. Draai de luchtdrukregelaar naar links tot 0 bar wordt aangegeven op de manometer.
14. Open de olieklep retour-naar-tank om eventueel resterende hydraulische druk te ontlasten. Controleer of de hydraulische manometer 0 bar aanduidt.



Figuur 7, Hydraulische manometer

15. Verwijder de 1 m lange olieretourslang uit het reservoir. Installeer de vuldop van het reservoir opnieuw.
16. Koppel de olieretourslang los van de pomp olieuitgangsaansluiting.

## 5.0 POMPWERKING

Bedien de pomp, zoals beschreven in de Secties 5.1 tot en met 5.4. Raadpleeg de Figuren 4 tot en met 7.

**BELANGRIJK:** nieuwe pompen moeten vóór de werking onder druk worden gebracht. Zie Sectie 4.4.

### 5.1 Vóór de pompdruk


1. Zorg ervoor dat de luchtklep GESLOTEN is en dat de olieklep retour-naar-tank OPEN is.
2. Voorbereiding van de pompwerking. Controleer het oliepeil en sluit de slang aan naargelang vereist. Zie Secties 4.1, 4.2 en 4.3.
3. Terwijl de luchtklep GESLOTEN blijft, activeer de luchtbron en controleer de manometer. Als er druk wordt aangeduid, draai de luchtdruk regelknop naar links naargelang vereist tot de manometer 0 bar aanduidt.
4. Draai de reservoir vuldop los met ongeveer een halve slag om ontluchting te bieden. **Ontluchting is vereist voor de juiste werking.**

### 5.2 Druk op de pomp

1. it de olieklep retour-naar-tank.

**BELANGRIJK:** sluit de olieklep retour-naar-tank alleen met de hand. Gebruik van gereedschap kan resulteren in schade aan de klep en/of de klepzittin.

2. Verplaats de luchtklep naar de positie OPEN.
3. LANGZAAM de luchtdruk doen stijgen (draai de luchtdruk regelknop naar rechts) totdat de pomp start en de hydraulische druk begint op te bouwen.

 **VOORZICHTIG:** permanent de hydraulische manometer controleren terwijl de pomp draait. Druk kan sneller stijgen dan verwacht. Wees voorbereid om de luchtklep te sluiten zodra het gewenste hydraulische druk wordt aangegev.

**BELANGRIJK:** Tpermanent de hydraulische manometer controleren terwijl de pomp draait. Druk kan sneller stijgen dan verwacht. Wees voorbereid om de luchtklep te sluiten zodra het gewenste hydraulische druk wordt aangegeven.

4. Wanneer de gewenste lezing te zien is op de hydraulische manometer, stop met draaien aan de luchtregelknop en verplaats de luchtklep in de GESLOTEN positie. De pomp stopt.
5. Draai de luchtdrukregelaar naar links tot 0 bar wordt aangegeven op de manometer.

### 5.3 De pomp ontluichten

1. Verzeker dat de luchtklep zich in de GESLOTEN positie bevindt.
2. Draai de olieklep retour-naar-tank LANGZAAM open om hydraulische druk te ontluichten. Controleer of de hydraulische manometer 0 bar aanduidt.

### 5.4 Pomp uitschakelen en loskoppelen

1. Verzeker dat de luchtklep zich in de GESLOTEN positie bevindt. Draai de luchtdrukregelaarknop naar links naargelang vereist, tot 0 bar wordt aangegeven op de manometer.
2. Draai de olieklep retour-naar-tank LANGZAAM open (indien gesloten) om overblijvende hydraulische druk te ontluichten. Verifieer of de hydraulische manometer 0 bar aanduidt.
3. Koppel de luchttoevoerslang los van de luchtinlaataansluiting van de pomp.
4. Koppel de olietoevoerslang los van de olieuitvoeraansluiting van de pomp.
5. Draai de reservoir vuldop volledig los.

**BELANGRIJK:** de reservoir vuldop moet volledig worden gesloten wanneer de pomp niet in gebruik is om te voorkomen dat verontreinigende materialen het systeem binnendringen.

6. Sla de pomp op zoals beschreven in Sectie 6.0.

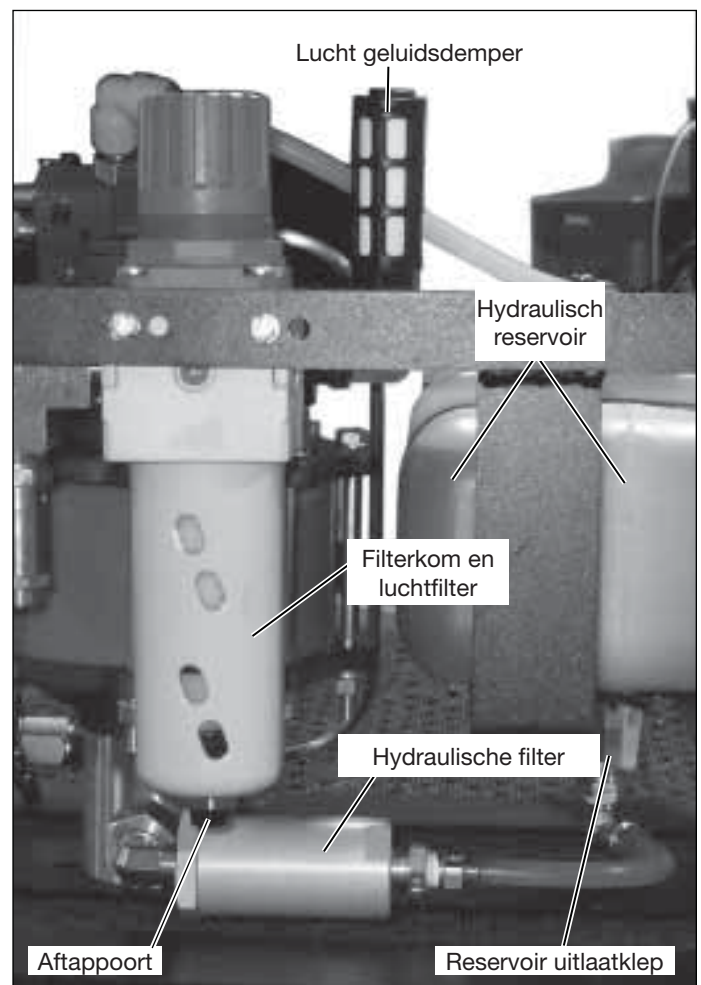
## 6.0 OPSLAG

- Zorg ervoor dat de olieklep retour-naar-tank zich in de OPEN positie bevindt.
- Controleer of de reservoir vuldop volledig gesloten is.
- Verwijder de filterkom. Tap het water af en verwijder alle vuil. Herinstalleer de kom na het aftappen.
- Bewaar de pomp in verticale positie in een schone en droge plaats.
- Plaats stofdeksels over de hydraulische olieuitvoer en luchtinlaataansluitingen.
- Als de pomp wordt opgeslagen voor een langere periode, pas een geschikte roestwerend middel toe op alle blootgestelde niet-beplaatte metalen elementen.

## 7.0 ONDERHOUD

Raadpleeg Figuur 8 voor de locaties van de elementen voor pomponderhoud.

**BELANGRIJK:** neem alle voorzorgsmaatregelen om de pomp op te slaan en tegen het binnendringen van vuil en gruis in de olielijnen. Vreemde stoffen in het systeem kunnen resulteren in een pompdefect of schade aan de pomponderdelen. Dergelijke schade valt niet onder de garantie.



Figuur 8, Pomponderhoud elementen



**WAARSCHUWING:** voor het onderhoud en reparaties, zorg ervoor dat de olieklep retour-naar-tank open is en dat de luchtklep gesloten is. Koppel de lucht- en hydraulische leidingen altijd los van de pomp. Verifieer of de manometer 0 bar aanduidt.

### 7.1 Luchtfilter

Vervang het luchtfilterelement indien dit vuil blijkt, of als er sprake is van een merkbare daling in de luchtstroom. Zie Figuur 9 voor onderdelendiagram.

### 7.2 Filterkom aftappoort

De filterkom loopt automatisch vanzelf leeg wanneer het waterpeil stijgt met ongeveer 1/3 komhoogte. De kom moet onder druk van ten minste 1,5 bar worden gezet voor automatisch aftappen. Indien gewenst, kan een afvoerslang met een 1/8 inch BSPP-fitting (gebruiker-geleverd) worden aangesloten op de komaftappoort.

Vervang de hele potmontage als de auto-aftapfunctie defect is. Zie Figuur 9 voor onderdelendiagram.

**BELANGRIJK:** om schade aan de auto-aftapmontage te voorkomen, probeer niet om de aftappoortmoer los te draaien. De kom bevat geen handmatige aftapklep. Sluit de luchttoevoer af en tap alle opgesloten water af door de kom te verwijderen als handmatig aftappen is gewenst.

### 7.3 Lucht geluiddemper

Inspecteer periodiek de lucht geluiddemper. Verwijder eventueel los vuil of olieresidu met een vod. Vervang de geluiddemper als die verstopt raakt, of indien er een merkbare toename is van het pomplawaai. Zie Figuur 8 voor de locatie.

### 7.4 Olie verversen

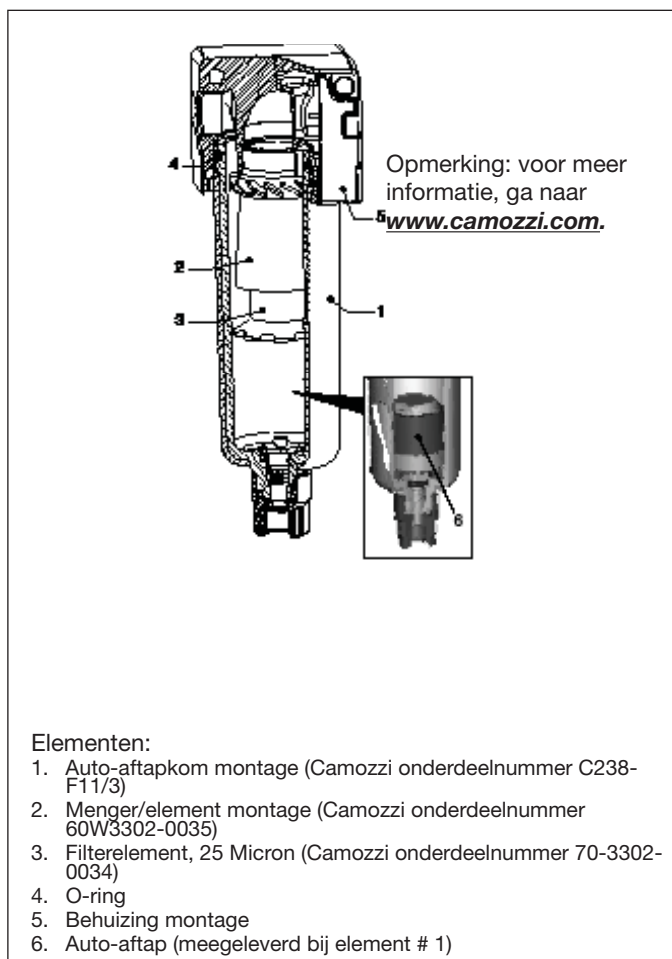
Enerpac HF-olie heeft een helderblauwe kleur. Controleer de conditie van de olie regelmatig op verontreiniging door de olie van de pomp te vergelijken met verse Enerpac-olie. Over het algemeen moet het reservoir om de 250 uur volledig worden afgetapt en gereinigd, of vaker wanneer in vuile omgevingen wordt gewerkt.

Ververs de olie zoals beschreven in de volgende stappen. Zie Figuur 8:

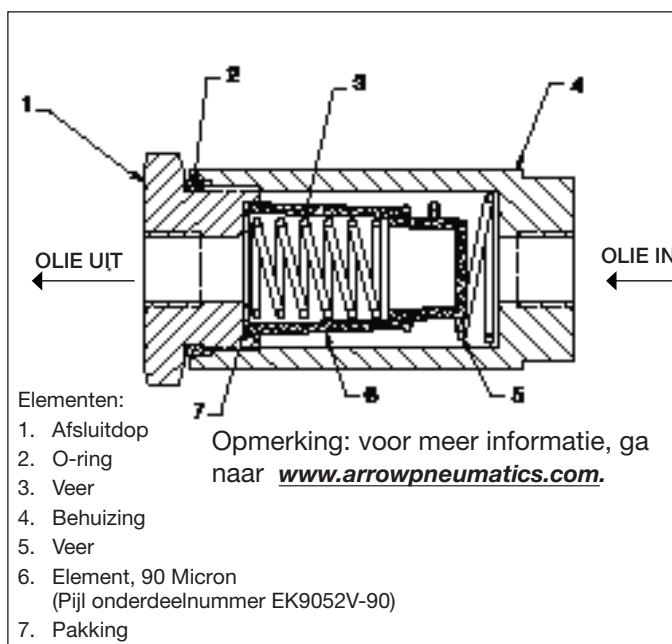
1. Sluit de uitlaatklep van het reservoir.
2. Koppel de olieslang los van de hydraulische filter. Plaats een geschikte container onder het open uiteinde van de slang.
3. Open de uitlaatklep van het reservoir. Laat olie toe om af te vloeien in de container eronder. Voer de gebruikte olie af in overeenstemming met alle geldende wetten en voorschriften.
4. Demonteer de hydraulische filtermontage. Reinig en installeer opnieuw (of vervang) de hydraulische filterelement. Raadpleeg Sectie 7.5 voor meer informatie.
5. Koppel de olieslang terug op de hydraulische filter. Zorg ervoor dat de aansluitingen vast zijn aangedraaid om te voorkomen dat lucht binnenkomt of er lekken zijn.
6. Open de uitlaatklep van het reservoir. Breng lucht in de pomp zoals beschreven in Sectie 4.4.

### 7.5 Hydraulische filter

Verwijder en inspecteer het hydraulische filterelement bij iedere olieversing. Het element kan worden gereinigd en hergebruikt als deze is in goede conditie. Er moet echter een nieuw element worden geïnstalleerd als het oude element is beschadigd of meer dan drie keer werd gereinigd. Controleer het element als een merkbare daling van de pompprestatie optreedt. Zie Figuur 10 voor het onderdelendiagram.



Figuur 9, Luchtfilterkom details



Figuur 10, Hydraulische filter details



## 8.0 PROBLEMEN OPLOSSEN

Uitsluitend bevoegde hydraulische technici mogen onderhoud aan de pomp of systeemonderdelen verrichten. Een systeemstoring is niet noodzakelijkerwijze het resultaat van een pompdefect. Om de oorzaak van het probleem te bepalen moet het volledige systeem in een diagnoseprocedure worden betrokken.

De tabel voor foutopsporing is bedoeld om te worden gebruikt als hulpmiddel bij het bepalen of een probleem bestaat. Voor reparatie, neem contact op met een erkend Enerpac servicecentrum.

Probleem	Mogelijke oorzaak	Actie
Pomp werkt niet.	Geen lucht druk bij toevoer.	Controleer de luchttoevoer.
	Pompontlastklep is gesloten.	Pompluchtklep openen.
	Pomp luchtdrukregelaar te laag ingesteld	Luchtdrukreguleurstelling controleren.
	Pomp luchtfilter is vuil.	Luchtfilterelement vervangen.
	Pomp luchtmotor is versleten of beschadigd.	Neem contact op met erkend servicecentrum.
	Pompelement vastgelopen.	Neem contact op met erkend servicecentrum.
De pomp bouwt geen hydraulische druk op of bouwt minder druk op dan gewenst.	Lage luchtdruk of volume bij luchttoevoer.	Controleer de luchttoevoer.
	Pomp luchtdrukregelaar te laag ingesteld.	Reguleurstelling controleren.
	Pomp luchtfilter is vuil.	Luchtfilterelement vervangen.
	Pomplep retour-naar-tank open of niet volledig gesloten.	Sluit de klep retour-naar-tank.
	Laag oliepeil in reservoir.	Oliepeil controleren.olie toevoegen naargelang vereist.
	Pomp hydraulische filter vuil.	Hydraulische filterelement reinigen of vervangen.
	Olielekkage van hydraulische slangen, fittingen of gereedschap.	Lekkende objecten vervangen naargelang vereist.
	Pomplep retour-naar-tank lekt.	Klep retour-naar-tank vervangen.
	Pomp luchtmotor is versleten of beschadigd.	Neem contact op met erkend servicecentrum.
	Interne lekkage in het pompelement en/of de luchtmotor.	Neem contact op met erkend servicecentrum.
Schokkerige of onregelmatige pompwerking.	Lage luchtdruk of volume bij luchttoevoer.	Controleer de luchttoevoer.
	Pomp niet op druk gebracht en/of lucht in de hydraulische leidingen.	Pomp niet op druk gebracht en/of lucht in de hydraulische leidingen.
	Hydraulische olie vuil.	Hydraulische olie verversen. Gebruik alleen Enerpac HF olie. Hydraulische filterelement reinigen of vervangen.
	Pompelement versleten of beschadigd.	Neem contact op met erkend servicecentrum.
Overmatig vocht in de pompuitlaat.	Teveel water en/of smeerolie in toevoerlucht.	Vocht in de lucht verminderen. Waterafscheiders installeren. <b>Opmerking:</b> de pomponderdelen zijn zelfsmierend. Gesmeerde lucht is NIET vereist.
	Pomp luchtfilterkom moet worden gedraineerd.	Kom op water controleren. Draineren naargelang vereist.
	Pomp luchtfilter is vuil.	Luchtfilterelement vervangen.
	Interne lekkage in het pompelement en/of de luchtmotor.	Neem contact op met erkend servicecentrum.

L2743 Rev. A 06/10

## 1.0 INSTRUÇÕES IMPORTANTES NO RECEBIMENTO

Inspecione visualmente todos os componentes verificando se houve avarias durante o transporte. Avarias no transporte não são cobertas pela garantia. Caso haja avarias no transporte, avise o transportador imediatamente. O transportador é responsável por todos os custos de consertos e substituições decorrentes de avarias ocorridas no transporte.

## 2.0 SEGURANÇA

### 2.1 ALERTAS SOBRE SEGURANÇA HIDRÁULICA - GENERALIDADES



Leia cuidadosamente todas as instruções, advertências e avisos sobre precaução. Siga todas as recomendações de segurança para evitar lesões pessoais ou danos à propriedade durante a operação do sistema. Enerpac não pode ser responsável por danos ou lesões pessoais resultantes do uso indevido do produto, falta de manutenção ou operação inadequada do produto e/ou sistema. Entre em contato com Enerpac quando houver dúvidas sobre as recomendações de segurança e operações. Se você nunca recebeu treinamento em segurança na hidráulica de alta pressão, consulte o seu distribuidor ou centro de serviço sobre um curso de segurança hidráulica Enerpac.

Falhas no cumprimento das advertências e avisos de precaução podem causar lesões pessoais e avarias ao equipamento.

**PRECAUÇÃO** é usada para indicar a operação correta ou os procedimentos e métodos de manutenção para prevenir o dano, a destruição do equipamento ou outras propriedades.

**ADVERTÊNCIA** indica um perigo potencial que exige procedimentos ou métodos corretivos para evitar lesões pessoais.

**PERIGO** é usado somente quando a ação ou a falta da mesma podem causar lesões sérias ou mesmo a morte.



**ADVERTÊNCIA:** Use equipamentos individuais de proteção quando acionar equipamentos hidráulicos.



**Nunca** ajuste uma válvula de alívio (somente bombas equipadas com válvula de segurança ajustável) com pressão maior que a máxima pressão nominal da bomba. Ajustes mais altos podem resultar em lesões pessoais e/ou danos aos equipamentos.



**ADVERTÊNCIA:** A pressão de operação do sistema não deve exceder a capacidade de pressão do componente de menor capacidade no sistema. Instale manômetros de pressão no sistema para monitorar a pressão de operação. É a sua janela para o que está acontecendo no sistema.



**PRECAUÇÃO:** Evite danificar mangueiras hidráulicas. Evite curvas ou dobras pronunciadas quando direcionar as mangueiras hidráulicas. O uso de uma mangueira curvada ou dobrada causará aumento na pressão de retorno. Curvas ou dobras pronunciadas danificarão a mangueira internamente, levando a um desgaste prematuro.



Não derrube objetos pesados na mangueira. Um forte impacto pode causar danos à trama interna de aço da mangueira. A aplicação de pressão em uma mangueira danificada pode causar a sua ruptura.



**IMPORTANTE:** Não levante o equipamento hidráulico pela mangueira ou pelos engates. Use manoplas ou outros meios mais seguros para o transporte.



**PRECAUÇÃO:** Mantenha o equipamento hidráulico longe do calor e das chamas. O calor excessivo amolece vedações e selos, resultando em vazamento de fluidos. O calor também enfraquece o material das mangueiras e das juntas. Para um desempenho otimizado não exponha o equipamento a temperaturas maiores que 65 °C (150 °F). Proteja mangueiras e cilindros dos respingos de solda.



**PERIGO:** Não manuseie mangueiras pressurizadas. O escape do óleo sob pressão pode penetrar na pele, causando lesões sérias. Se o óleo penetrar na pele, procure um médico imediatamente.



**IMPORTANTE:** Somente técnicos em hidráulica, devidamente qualificados, devem fazer a manutenção de equipamentos hidráulicos. Para serviços de manutenção, entre em contato com o Centro de Serviço Autorizado Enerpac em sua área. Para proteger sua garantia, use somente óleo Enerpac.



**ADVERTÊNCIA:** Substitua imediatamente peças gastas ou danificadas por peças genuínas Enerpac. Peças não genuínas podem quebrar, causando lesões pessoais ou danos à propriedade. As peças Enerpac são projetadas para se encaixar adequadamente e sustentar cargas pesadas.

## 2.2 Cuidados com a Segurança ATP-1500



**Aviso:** A não observação dos avisos seguintes pode resultar em lesões pessoais sérias ou a morte!

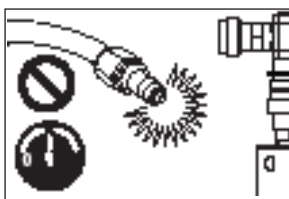
- Use sempre proteção para os olhos, luvas e botas quando acionar a bomba.
- Equipamento hidráulico de alta pressão pode ser muito perigoso, quando mal utilizado. Mantenha-se distante de vazamentos de óleo em alta pressão. Líquido escapando do equipamento altamente pressurizado tem poder suficiente para penetrar na pele, o que pode causar o envenenamento do sangue. Caso ocorra este acidente, **IMEDIATAMENTE** procure ajuda médica.

- Nunca tente desconectar um engate rápido quando estiver sob pressão.

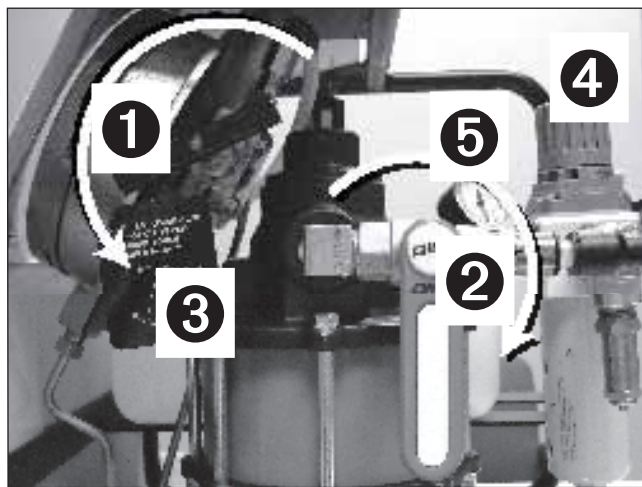


- Nunca tente consertar vazamentos enquanto o sistema estiver sob pressão. Certifique-se de que o manômetro de pressão indica zero [0] psi/bar antes de executar qualquer conserto.

- Nunca coloque pressão na parte posterior de um engate rápido macho desconectado. Podem resultar sérias lesões pessoais, se o engate rápido falha sob pressão.



- Tenha cuidado ao colocar pressão em um sistema. A pressão pode subir mais rapidamente que o esperado. Monitore continuamente o manômetro de pressão durante a pressurização. Esteja preparado para, imediatamente, parar a pressurização, a qualquer momento.
- Antes da operação, certifique-se de que os engates rápidos estão adequadamente conectados, tentando arrancá-los fisicamente.
- O acionamento da bomba deve somente ser executado por pessoal treinado e experiente. Seja especificamente cuidadoso, evitando o acionamento acidental da bomba.
- Nunca deixe desacompanhada bomba sob pressão. Caso precise sair da área, feche a válvula pneumática e certifique-se de que a válvula de alívio (retorno para o reservatório) da bomba está totalmente aberta. Gire o botão do regulador de ar no sentido anti-horário, até que o manômetro de pressão de ar indique zero [0] psi/ bar.
- Nunca exceda a segurança da pressão de trabalho para mangueiras hidráulicas ou bomba. A pressão máxima de trabalho permitida para uma bomba ATP-1500 é de 1.500 bar [21.755 psi].



Chave:

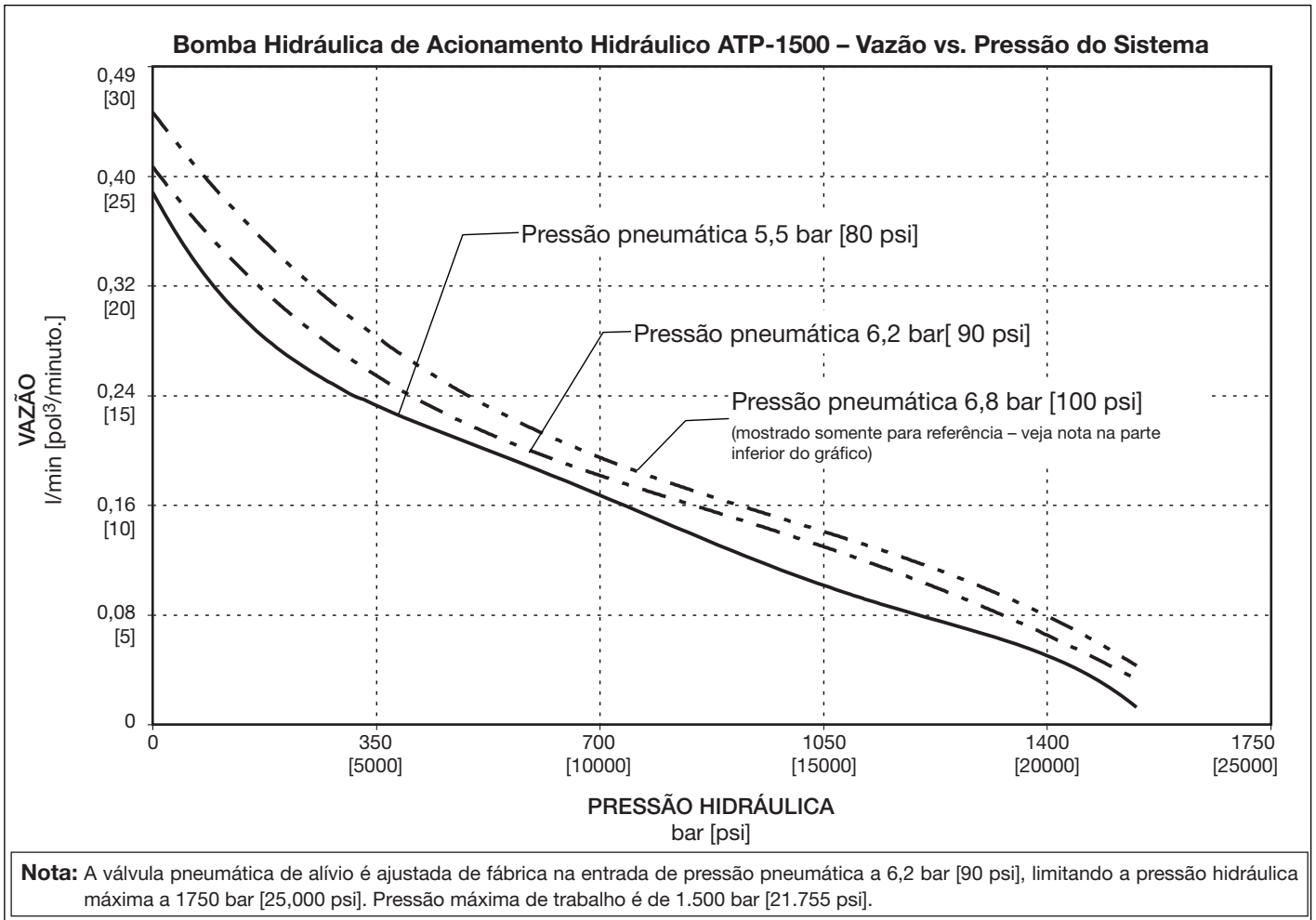
- |  |                                    |
|--|------------------------------------|
| ① ABERTA                                 | ④ Regulador de Pressão Pneumática  |
| ② FECHADA                                | ⑤ Válvula pneumática de fechamento |
| ③ Válvula de Retorno para o Reservatório |                                    |

Figura 1, Antes de Ligar o Fornecimento de Ar

- Antes de ligar o fornecimento de ar: Certifique-se de que a válvula pneumática de fechamento (liga-desliga) está fechada (i.e. alavanca na posição vertical) e que a válvula de retorno para o reservatório está aberta. Ver Figura 1.
- Verifique o manômetro pneumático de pressão depois de ligar o fornecimento de ar. Se houver indicação de qualquer pressão, gire o botão do regulador de pressão no sentido anti-horário até que o manômetro indique zero [0] bar/psi.
- Sempre pressurize a bomba, partindo da pressão pneumática zero [0] bar/psi e trabalhe de baixo para cima. Gire VAGAROSAMENTE o botão regulador de pressão para evitar um súbito e inesperado aumento da pressão hidráulica.
- Depois que a pressão hidráulica desejada tiver sido atingida, sempre feche a válvula pneumática de fechamento e gire o botão do regulador de pressão no sentido anti-horário até que o manômetro de pressão pneumática indique zero [0] psi/bar.
- Sempre despressurize antes de deixar o sistema desacompanhado.

### 3.0 ESPECIFICAÇÕES

#### 3.1 Dados de Desempenho

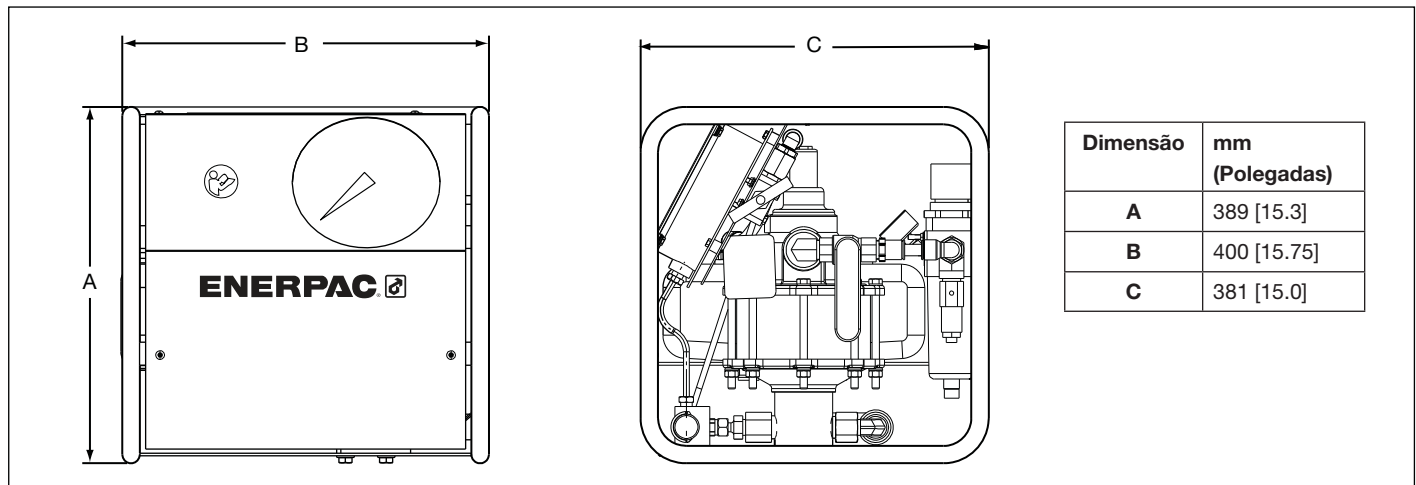


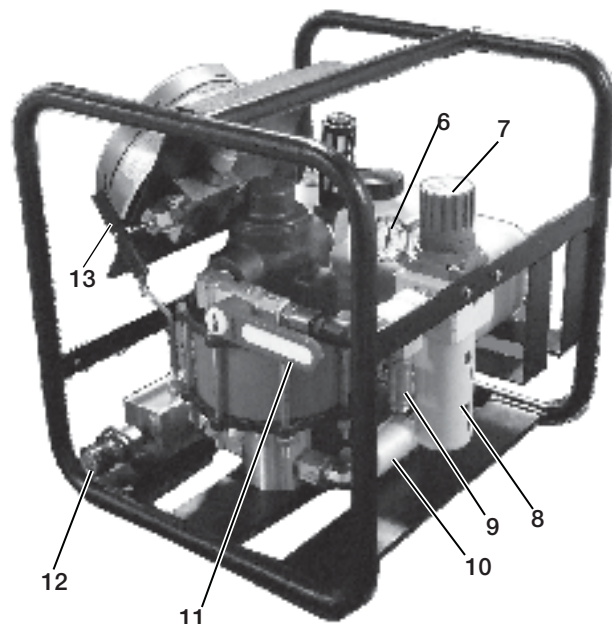
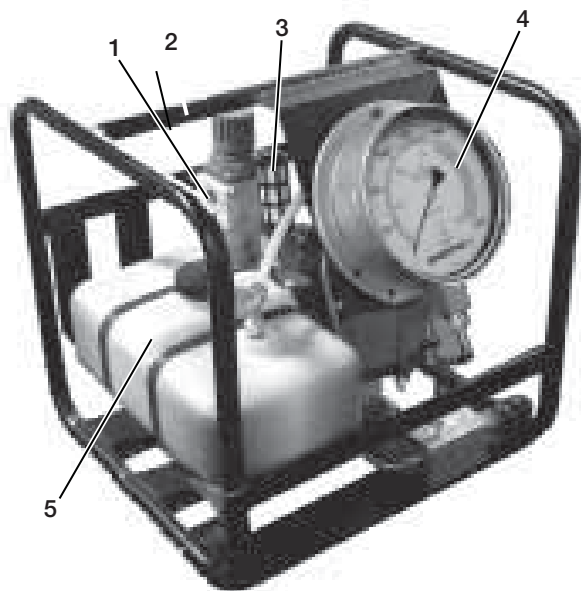
#### 3.2 Detalhes Técnicos

Faixa de Temperatura	Faixa de Viscosidade do Óleo	Tipo de Óleo Hidráulico (recomendado)	Materiais de Vedação	Pressão Hidráulica Máx. (trabalhando)	Nível de Ruído	Consumo de A (típico)	Peso (incluindo óleo)
-29 to +50°C [-20 to +140°F]	[15 - 25 C.S.T.] 150 - 165 S.U.S.	Enerpac HF	Buna and Viton	1500 bar [21,755 psi]	70 dBA Max.	113 L/Min [21 SCFM]	32 Kg [54 lbs.]

\* Consumo efetivo de ar varia dependendo da aplicação. Veja a Seção 4.3 para informações adicionais.

#### 3.3 Dimensões Externas





Chave:

- |                                       |  |  |
|---------------------------------------|--|--|
| 1. Conexão da Entrada de Ar (1/2 NPT) | 7. Regulador Pneumático de Pressão         | 12. Saída da Conexão Hidráulica de Óleo  |
| 2. Gaiola de Proteção                 | 8. Montagem do Copo do Filtro              | 13. Válvula de retorno de óleo para o reservatório (alívio de pressão para o reservatório) |
| 3. Silencioso Pneumático              | 9. Válvula de Alívio de Pressão Pneumática |  |
| 4. Manômetro Hidráulico de Pressão    | 10. Filtro Hidráulico                      |  |
| 5. Reservatório de Óleo               | 11. Válvula Pneumática de Fechamento       |  |

Figura 2, Características da Bomba e Componentes (Nota: proteções e tampas removidas para ilustração somente.)

## 4.0 ARRANJO DA BOMBA

### 4.1 Reservatório de Óleo

Verifique o nível do óleo antes de acionar a bomba. Antes de verificar o nível do óleo:

- Certifique-se de que a válvula pneumática de fechamento esteja FECHADA e que a válvula de retorno de óleo para o reservatório está ABERTA. Ver Figura 1.
- Certifique-se de que a pressão hidráulica da bomba e do manômetro indicam zero [0] psi/bar.

O reservatório está CHEIO quando o nível de óleo está na parte superior do mesmo, conforme mostrado na Figura 3. A capacidade de óleo é de aproximadamente 3,8 litros [1 galão americano]. Use Óleo Enerpac Tipo HF.

**IMPORTANTE:** Adicione óleo somente quando todos os componentes estiverem totalmente retraídos, ou o sistema irá conter mais óleo do que o reservatório pode conter.

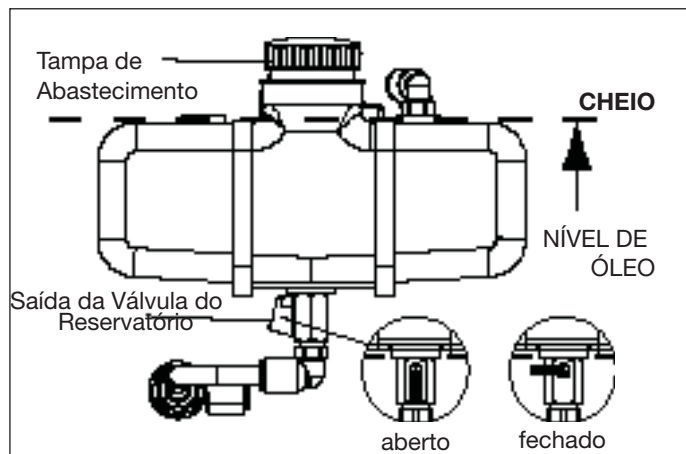


Figura 3, Reservatório de Óleo

### 4.2 Ligações Hidráulicas e Pneumáticas



**AVISO:** Antes de fazer a ligação do fornecimento de ar, certifique-se de que a válvula pneumática de fechamento (liga-desliga) está fechada (i.e. alavanca na posição vertical) e que a válvula de retorno de óleo para o reservatório está aberta. Ver Figura 1. Também, certifique-se de que o regulador pneumático de pressão está totalmente desligado, portanto o manômetro de pressão da bomba indica zero [0] psi.

Faça as ligações conforme necessário:

- A entrada de ar da bomba está localizada na montagem do regulador de pressão pneumática. É uma ligação padrão de 1/2" NPT.
- A saída hidráulica da bomba é uma conexão fêmea BSPP de 1/4". Em bombas usadas para aplicações de aparafusamento, um engate rápido fêmea é tipicamente instalado na conexão BSPP.

### 4.3 Exigências Pneumáticas

O consumo de ar da bomba é de aproximadamente 113 l/min [21 pés 3/min] a pressão de descarga de óleo de 6,8 bar [100 psi]. Com pressões pneumáticas mais baixas e pressões hidráulicas mais altas, o consumo de ar será reduzido proporcionalmente às faixas de vazão indicadas.

**IMPORTANTE:** A pressão de fornecimento de ar estático para a bomba não deve exceder 6,2 bar [90 psi].



**AVISO:** A válvula de alívio da bomba com acionamento pneumático é ajustada de fábrica a aproximadamente 6,2 bar [90 psi]. Para evitar lesões pessoais ou danos ao equipamento, não tente aumentar o ajuste da válvula de alívio.

Use somente ar comprimido seco e filtrado. A utilização de separador de água é fortemente recomendada.

Componentes internos da bomba são auto lubrificadas. NÃO há necessidade de ar lubrificado.

#### 4.4 Abeberamento da Bomba (sangrando o ar)

**IMPORTANTE:** Bombas novas DEVEM ser abeberadas antes do acionamento inicial.

Execute o procedimento de abeberamento, conforme descrito nos passos seguintes. Veja as figuras e até 7.

1. Certifique-se de que o reservatório hidráulico está abastecido com o óleo correto e que a saída para a válvula está aberta. Veja a Seção 4.1.
2. Certifique-se de que a válvula pneumática de fechamento está na posição FECHADA e que a válvula de retorno de óleo para o reservatório está aberta.
3. Afrouxe a tampa de abastecimento do reservatório em meia volta para permitir a ventilação do ar. **É necessário ventilar para uma operação adequada.**

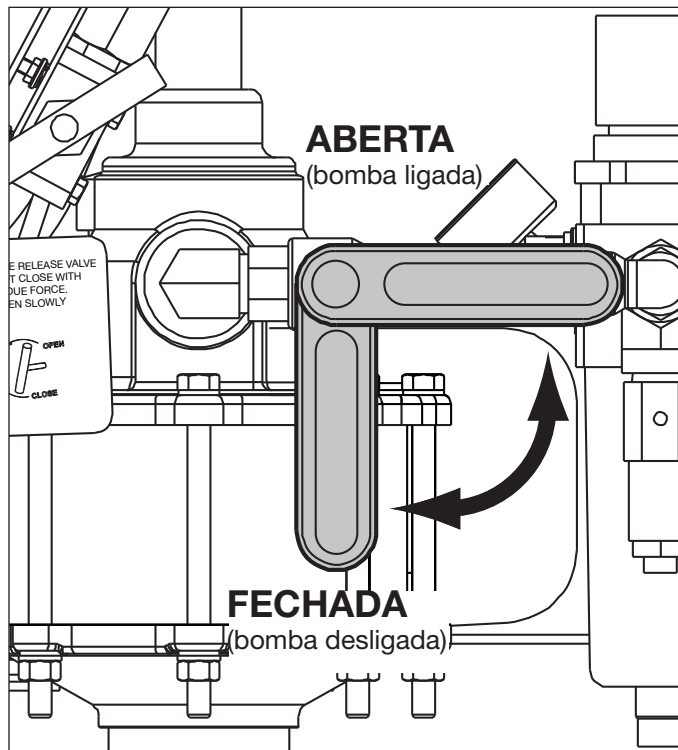


Figura 4, Válvula pneumática de fechamento

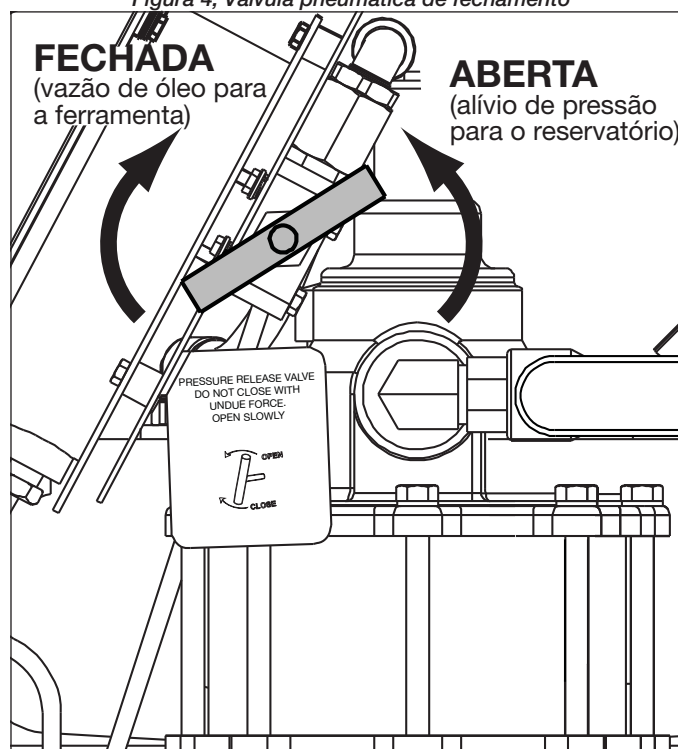


Figura 5, Válvula de retorno de óleo para o reservatório

4. Faça a ligação da mangueira de suprimento de ar na conexão de entrada de ar.
5. Enquanto a válvula pneumática de fechamento permanece FECHADA, acione o recurso de ar e verifique a pressão no manômetro. Se houver indicação de qualquer pressão, gire o botão do regulador de pressão, no sentido anti-horário, conforme necessário, até que o manômetro indique zero [0] bar/psi.

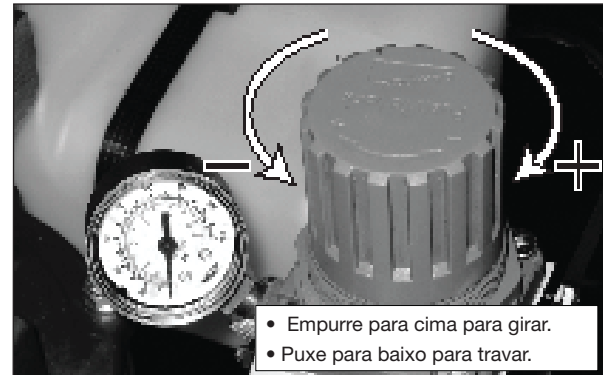


Figura 6, Manômetro Pneumático de Pressão e Regulador

6. Faça a ligação de um terminal da mangueira hidráulica de 1 m [3 pés] com a conexão de saída de óleo da bomba.
7. Instale um engate rápido de terminal aberto na outra extremidade da mangueira.
8. Desparafuse a tampa de abastecimento do reservatório. Coloque o terminal da mangueira com um engate rápido de terminal aberto dentro do reservatório. Isto vai permitir o retorno do óleo durante a escorvação.
9. Feche a válvula de retorno do óleo para o reservatório. Mova a válvula pneumática de fechamento para a posição ABERTA.
10. Usando o regulador pneumático de pressão, VAGAROSAMENTE aumente a pressão de 0,68 - 1,0 bar [0 psi a 10-15 psi] para iniciar a operação da bomba.
11. Verifique se o óleo está retornando para o reservatório através da mangueira. Aumente a pressão para 2,75 bar [40 psi] até que todo o ar tenha sido sangrado do sistema (sem bolhas visíveis na corrente de retorno do óleo).
12. Mova a válvula de fechamento pneumático para a posição FECHADA. A bomba vai parar.
13. Gire o botão do regulador de pressão no sentido anti-horário, até que o manômetro indique zero [0] psi/bar.
14. Abra a válvula de retorno do óleo para o reservatório, para liberar qualquer pressão hidráulica residual. Verifique se o manômetro de pressão hidráulica indica zero [0] psi/bar.

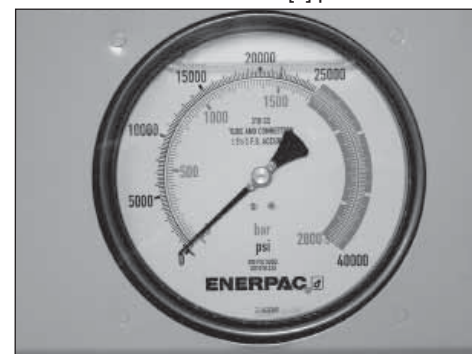


Figura 7, Manômetro de Pressão Hidráulica

15. Remova a mangueira de retorno do óleo de 1m [3 pés] do reservatório. Reinstale a tampa de abastecimento do reservatório.
16. Desligue a mangueira de retorno do óleo da conexão de saída de óleo da bomba.

## 5.0 ACIONAMENTO DA BOMBA

Acione a bomba conforme descrito nas seções 5.1 até 5.4. Veja as Figuras 4 até 7.

**IMPORTANTE:** Bombas novas DEVEM ser escorvadas antes do acionamento inicial.

### 5.1 Antes de pressurizar a Bomba

1. Certifique-se de que a válvula pneumática de fechamento está na posição FECHADA e que a válvula de retorno do óleo para o reservatório está aberta.
2. Prepare a bomba para o acionamento. Verifique o nível de óleo e faça as ligações das mangueiras, conforme necessário. Veja as seções 4.1, 4.2 e 4.3.
3. Enquanto a válvula pneumática de fechamento permanece FECHADA, ative o fornecimento de ar comprimido e verifique o manômetro de pressão. Se houver indicação de qualquer pressão, gire o botão do regulador de pressão, no sentido anti-horário, conforme necessário, até que o manômetro indique zero [0] psi/bar.
4. Afrouxe a tampa de abastecimento do reservatório em meia volta para permitir a ventilação do ar. **É necessário ventilar para uma operação adequada.**

### 5.2 Pressurizando a Bomba

1. Feche a válvula de retorno do óleo para o reservatório.  
**IMPORTANTE:** Feche a válvula de retorno do óleo para o reservatório usando somente aperto com a mão. Uso de ferramentas pode resultar em danos à válvula e/ou ao assento da válvula.
2. Mova a válvula de fechamento pneumático para a posição ABERTA.
3. Aumente VAGAROSAMENTE a pressão do ar (gire o botão do regulador de pressão no sentido horário) até que a bomba inicie o funcionamento e a pressão hidráulica comece a ser gerada.



**PRECAUÇÃO:** Monitore continuamente o manômetro de pressão enquanto a bomba estiver funcionando. A pressão pode subir mais rapidamente que o esperado. Esteja preparado para, imediatamente, fechar a válvula de fechamento pneumático quando a pressão hidráulica desejada for atingida.

**IMPORTANTE:** O tempo necessário para pressurizar o circuito hidráulico vai variar, dependendo da quantidade e tipo de ferramentas conectadas, disponibilidade de volume de ar, comprimento das mangueiras hidráulicas e outros fatores.

4. Quando a leitura desejada for mostrada no manômetro, pare, girando o botão do regulador de ar e mova a válvula pneumática de fechamento para a posição FECHADA. A bomba vai parar.
5. Gire o botão do regulador de pressão no sentido anti-horário até que o manômetro de pressão indique [0] psi/barr.

### 5.3 Depressurizando a Bomba

1. Certifique-se de que a válvula pneumática de fechamento está na posição FECHADA.
2. VAGAROSAMENTE abra a válvula de retorno do óleo para o reservatório para liberar a pressão hidráulica. Verifique se o manômetro de pressão hidráulica indica zero [0] bar/psi.

### 5.4 Desligando a Bomba e Desconectando

1. Certifique-se de que a válvula pneumática de fechamento está na posição FECHADA. Gire o botão do regulador de pressão no sentido anti-horário, até que o manômetro de pressão indique zero [0] psi/bar.
2. VAGAROSAMENTE abra a válvula de retorno do óleo para o reservatório (se fechada) para liberar qualquer pressão hidráulica residual. Verifique se o manômetro de pressão hidráulica indica zero [0] psi/bar.
3. Desligue a mangueira de fornecimento de ar da conexão de entrada da bomba.

4. Desligue a mangueira de retorno do óleo da conexão de saída de óleo da bomba.

5. Feche totalmente a tampa de abastecimento do reservatório.

**IMPORTANTE:** A tampa de abastecimento do reservatório deve estar totalmente fechada quando a bomba não estiver sendo usada, para evitar a entrada de contaminantes no sistema.

6. Armazene a bomba conforme descrito na Seção 6.0.

## 6.0 ARMAZENAMENTO

- Certifique-se de que a válvula de retorno de óleo para o reservatório esteja na posição ABERTA.
- Verifique se a tampa de abastecimento do reservatório está totalmente fechada.
- Remova o copo do filtro. Drene a água e remova qualquer cavaco. Reinstale o copo depois da drenagem.
- Armazene a bomba na posição vertical em local limpo e seco.
- Coloque tampas guarda-pó nas conexões de saída do óleo hidráulico e entrada de ar.
- Caso a bomba deva ser armazenada por um longo período de tempo, aplique um preventivo contra ferrugem em todos os itens de metal não galvanizados..

## 7.0 MANUTENÇÃO

Veja na Figura 8 para localização dos itens de manutenção da bomba.

**IMPORTANTE:** Tome muito cuidado para proteger a bomba e as linhas de óleo contra a entrada de sujeira e cascalho. Objetos estranhos no sistema podem causar falha ou danos aos componentes da bomba. Estes danos não são cobertos por garantia.

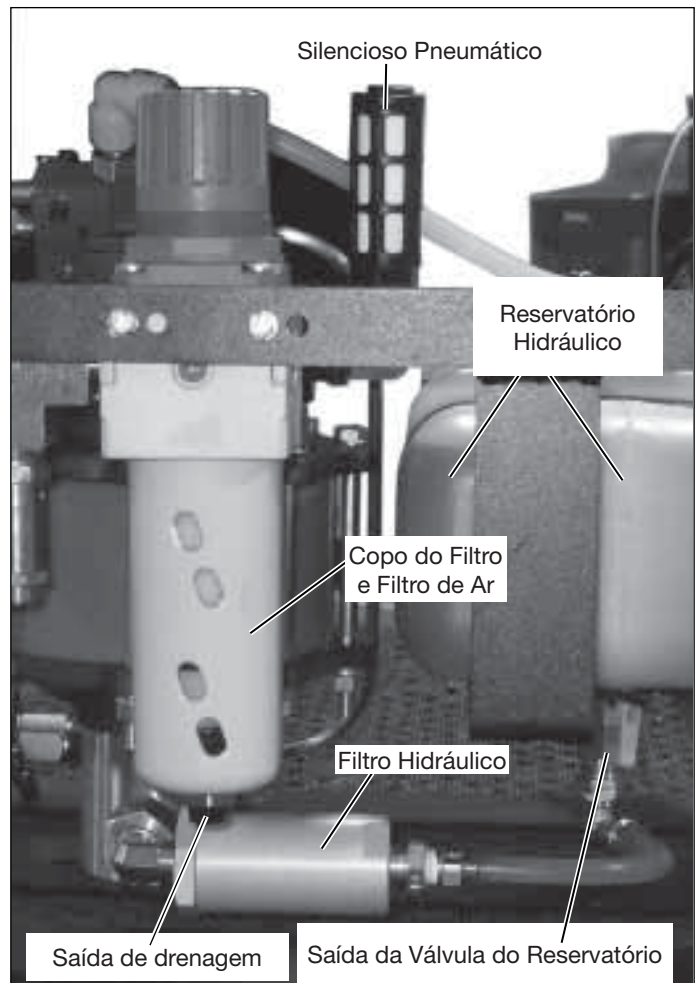


Figura 8, Itens de Manutenção da Bomba



**AVISO:** Antes de começar qualquer manutenção ou reparo, certifique-se de que a válvula de retorno do óleo para o reservatório está fechada e que a válvula pneumática de fechamento está fechada. Desconecte sempre as linhas hidráulicas e de ar da bomba. Verifique se o manômetro indica zero [0] bar/psi.

### 7.1 Filtro de Ar

Substitua o elemento do filtro de ar, caso pareça sujo, ou se notar alguma gota na vazão pneumática. Ver Figura 9 para diagrama de partes.

### 7.2 Saída de Drenagem do Copo do Filtro

O copo do filtro é drenado automaticamente quando o nível de água sobe para, aproximadamente 1/3 da altura do copo. O copo deve ser pressurizado até, pelo menos 1,5 bar [22 psi] para que a drenagem automática ocorra. Se desejável, uma mangueira de drenagem com conexão de 1/8 pol. BSPP (fornecida pelo usuário) pode ser conectada na porta de drenagem do copo.

Substitua a montagem completa do copo se o dispositivo automático de drenagem não entrar em funcionamento. Ver Figura 9 para diagrama das partes.

**IMPORTANTE:** Para evitar danos à montagem de auto-drenagem, não tente afrouxar a porca da entrada do dreno. O copo não válvula de drenagem manual. Se há necessidade de drenagem manual, feche o fornecimento de ar e drene qualquer água retida, removendo o copo.

### 7.3 Silencioso Pneumático

Periodicamente inspecione o silencioso pneumático. Remova os resíduos de sujeira com um pano. Substitua o silencioso se houver obstrução ou caso haja um aumento considerável de barulho na bomba. Ver Figura 8 para localização.

### 7.4 Troca de Óleo

O óleo Enerpac HF tem a cor azul. Verifique frequentemente as condições do óleo para contaminação, comparando o óleo da bomba com óleo Enerpac novo. Como regra geral, drene e limpe o reservatório a cada 250 horas, ou com maior frequência caso a utilização ocorra em ambientes sujos.

Troque o óleo conforme descrito nos passos seguintes. Veja a Figura 8:

1. Feche a válvula de saída do reservatório.
2. Desconecte a mangueira de óleo do filtro. Coloque um recipiente adequado sob o terminal da mangueira.
3. Abra a válvula na saída do reservatório. Permita que o óleo seja drenado para o recipiente. Descarte o óleo usado de acordo com todas as leis e regulamentações aplicáveis.
4. Desmonte a montagem do filtro. Limpe e reinstale (ou substitua) o elemento do filtro. Ver Seção 7.5 para informações adicionais.
5. Fixa novamente a mangueira de óleo ao filtro. Para evitar entrada de ar ou vazamentos, certifique-se de que todas as conexões estão apertadas.
6. Abra a saída da válvula do reservatório. Abebere a bomba conforme descrito na Seção 4.4.

### 7.5 Filtro Hidráulico

Remova e inspecione o elemento do filtro a cada troca de óleo. O elemento pode ser limpo e reutilizado, se estiver em boas condições. Entretanto, um novo elemento deve ser instalado se o velho estiver danificado ou tiver sido limpo mais do que três vezes. Verifique o elemento se for notada uma queda no desempenho da bomba. Ver Figura 10 para diagrama das partes.

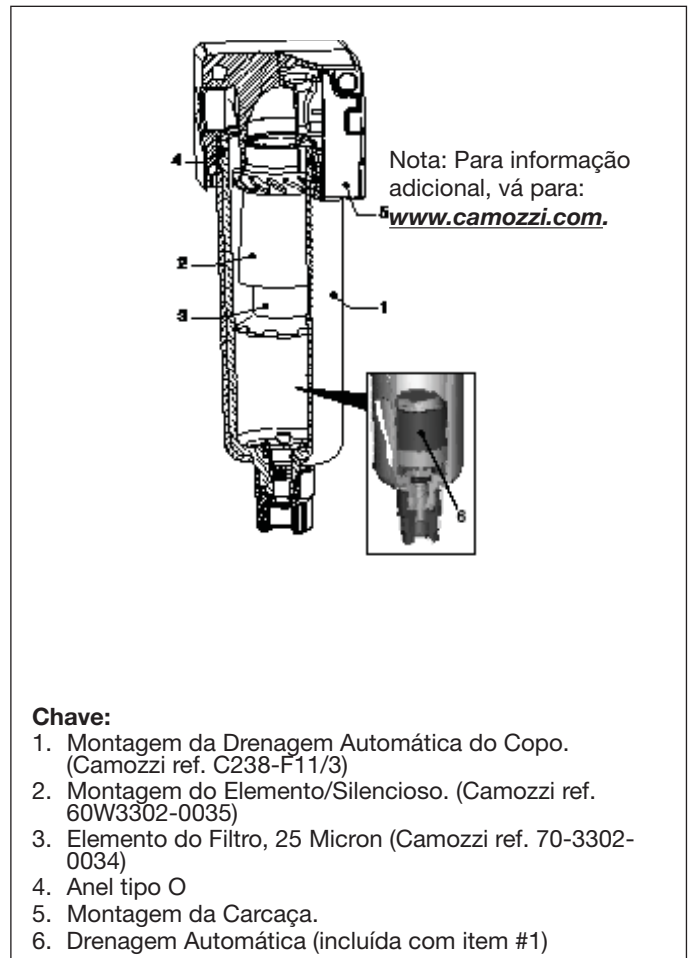


Figura 9, Detalhes do Copo do Filtro de Ar

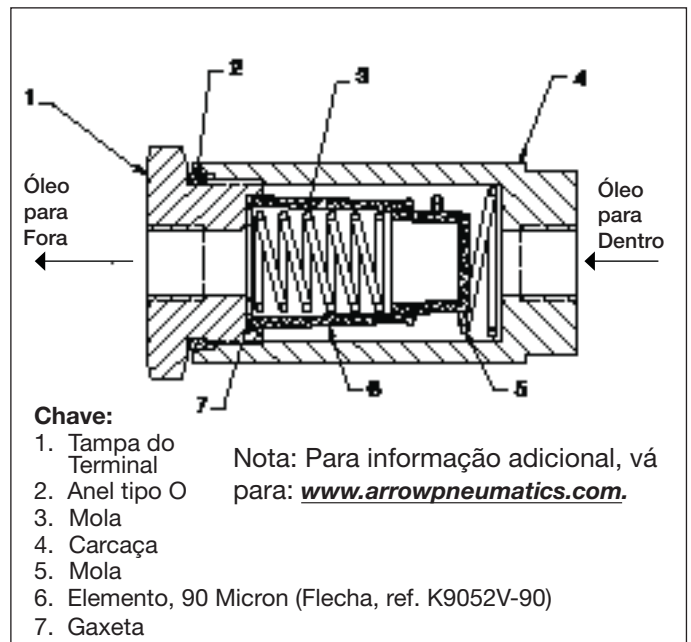


Figura 10, Detalhes do Filtro Hidráulico



## 8.0 SOLUCIONANDO PROBLEMAS

Somente técnicos em hidráulica, devidamente qualificados devem fazer manutenções na bomba ou nos componentes do sistema. Falhas no sistema poderão ou não ser causados pelo funcionamento inadequado da bomba. Para determinar a causa do problema, é necessária uma análise do sistema completo, em qualquer procedimento de diagnóstico.

A tabela seguinte de solução de problemas deve ser utilizada somente como uma ajuda na determinação da existência do problema. Para reparos, entre em contato com seu Centro Autorizado de Serviços Enerpac.

Problema	Causas Possíveis	Ação
Bomba não inicia o acionamento.	Não há fornecimento de ar sob pressão.	Verifique o fornecimento de ar.
	Válvula pneumática de fechamento da bomba fechada.	Abra a válvula pneumática de fechamento da bomba.
	Regulador de pressão da bomba com ajuste muito baixo.	Verifique o ajuste do regulador de pressão.
	Filtro de ar da bomba sujo.	Substitua o elemento do filtro de ar.
	Motor pneumático da bomba gasto ou danificado.	Entre em contato com o Centro Autorizado de Serviço Enerpac.
	Elemento da bomba obstruído.	Entre em contato com o Centro Autorizado de Serviço Enerpac.
Bomba não gera pressão hidráulica ou gera menos que a pressão desejada.	Baixo volume ou pressão de ar no fornecimento de ar comprimido.	Verifique o fornecimento de ar.
	Regulador de pressão da bomba com ajuste muito baixo.	Verifique o ajuste do regulador.
	Filtro de ar da bomba sujo.	Substitua o elemento do filtro de ar.
	Válvula de retorno para o reservatório está aberta ou não totalmente fechada.	Feche a válvula de retorno para o reservatório.
	Nível de óleo baixo no reservatório	Verifique o nível de óleo. Adicione óleo, conforme necessário.
	Filtro hidráulico sujo na bomba.	Limpe ou substitua o elemento do filtro.
	Vazamento de óleo nas mangueiras hidráulicas, engates rápidos ou ferramentas.	Substitua os itens com vazamento, conforme necessário.
	Vazamento na válvula de retorno para o reservatório.	Substitua a válvula de retorno para o reservatório.
	Motor pneumático da bomba gasto ou danificado.	Entre em contato com o Centro Autorizado de Serviço Enerpac.
	Vazamento interno no elemento da bomba e/ou no motor pneumático.	Entre em contato com o Centro Autorizado de Serviço Enerpac.
Operação instável ou errática da bomba.	Baixo volume ou pressão de ar no fornecimento de ar comprimido.	Verifique o fornecimento de ar.
	Não abeberamento da bomba e/ou ar nas linhas hidráulicas.	Abebere, conforme descrito na Seção 4.4.
	Óleo hidráulico sujo.	Troque o óleo hidráulico. Use somente óleo Enerpac HF. Limpe ou substitua o elemento do filtro.
	Elemento da bomba gasto ou danificado.	Entre em contato com o Centro Autorizado de Serviço Enerpac.
Excesso de umidade no escapamento da bomba.	Excesso de água e/ou lubrificante no fornecimento de ar.	Reduza a umidade do ar. Instale um separador de água. <b>Nota:</b> Componentes da bomba são auto-lubrificantes. Não há necessidade de ar lubrificado.
	Copo do filtro de ar da bomba necessita drenagem.	Verifique o copo para água. Drene, conforme necessário.
	Filtro de ar da bomba sujo.	Substitua o elemento do filtro de ar.
	Vazamento interno no elemento da bomba e/ou no motor pneumático.	Entre em contato com o Centro Autorizado de Serviço Enerpac.

L2743 Rev. A 06/10

## 1.0 TÄRKEÄT VASTAANOTTO-OHJEET

Tarkista silmämääräisesti kaikki osat kuljetusvaurioiden varalta. Takuu ei kata kuljetusvaurioita. Jos kuljetusvaurioita löytyy, niin ilmoita kuljetusliikkeelle välittömästi. Kuljetusliike on vastuussa kaikista korjauksista ja korvauskustannuksista, jotka ovat johtuvat kuljetusvaurioista.

## 2.0 TURVALLISUUS

### 2.1 HYDRAULILAITTEITA KOSKEVAT YLEISET VAROTOIMENPITEET



Read all instructions, warnings and cautions Lue kaikki ohjeet ja varoitukset huolellisesti. Noudata kaikkia varotoimenpiteitä estääksesi vammoja tai omaisuuden vaurioitumista käytön aikana. Enerpac ei ole vastuussa vaurioista tai vammoista, jotka johtuvat tuotteen turvattomasta käytöstä, huollon puutteesta tai tuotteen ja/tai järjestelmän väärästä käytöstä. Ota yhteys Enerpaciin kun olet epävarma varotoimenpiteistä ja käytöstä. Jos et ole koskaan koulutautunut korkeapaineisen hydraulijärjestelmän turvallisuuteen, ota maahantuojaan tai palvelukeskukseen, jotta voit ottaa osaa Enerpacin ilmaiseen hydraulijärjestelmän turvakurssiin.

Seuraavien varoitusten noudattamatta jättäminen voi aiheuttaa laitevaurioita ja vammoja.

**VAROVAISUUS** -tekstiä käytetään ilmaisemaan oikeat käyttö- tai huoltotoimenpiteet ja käytännöt vaurioiden estämiseksi, tai laitteen tai muun omaisuuden tuhoutumisen estämiseksi.

**VAROITUS** -tekstiä käytetään ilmaisemaan mahdollinen vaara, joka vaatii oikeita toimenpiteitä tai käytäntöjä vammojen välttämiseksi.

**VAARA** -tekstiä käytetään vain kun toiminta tai sen puute voi aiheuttaa vakavan vamman tai jopa kuoleman.



**VAROITUS:** Käytä henkilökohtaisia suojavarusteita kun käytät hydraulilaitteita.



Älä koskaan aseta varoventtiiliä (vain pumput, joissa käyttäjän säädettävä varoventtiili) korkeampaan kuin pumpun korkeimpaan sallittuun paineeseen. Korkeammat asetukset saattavat aiheuttaa laitteiston vaurioitumisen ja/tai henkilövahinkoja.



**VAROITUS:** Järjestelmän käyttöpaine ei saa ylittää järjestelmän alimmalle luokitellun osan painearvoa. Asenna painemittarit järjestelmään tarkkailemaan käyttöpainetta. Se on ikkuna siihen mitä järjestelmässä tapahtuu.



**VAROVAISUUS:** Vältä hydrauliletkujen vaurioittamista. Vältä teräviä kulmia ja kiertymiä kun reitität hydrauliletkuja. Vääntyneen tai kiertyneen letkun käyttö voi aiheuttaa vakavan paluupaineen. Terävät kulmat ja kiertymät vaurioittavat sisäisesti letkua, mikä johtaa ennenaikaiseen vikaan letkussa.



**Älä** pudota painavia esineitä letkun päälle. Terävä kosketus voi aiheuttaa sisäisen vaurion letkun lankasäikeisiin. Paineenjohtaminen vaurioituneeseen letkuun voi saada sen repeämään.



**TÄRKEÄÄ:** Älä nosta hydraulilaitteita letkuista tai kiertokytkimistä. Käytä kantokahvoja tai muita turvallisia kuljetusmuotoja.



**VAROVAISUUS:** Pidä hydraulilaitteet etäällä tulesta ja kuumuudesta. Liiallinen lämpö pehmentää pakkaukset ja saumat, johtaen nestevuotoihin. Lämpö myös heikentää letkumateriaaleja ja pakkauksia. Optimaalisen toiminnan saavuttamiseksi, älä altista laitteita lämpötiloille, jotka ovat 150 °F (65 °C) tai korkeampia. Suojaa letkut ja sylinterit hitsausroiskeilta.



**VAARA:** Älä käsittele paineistettuja letkuja. Vapautuva öljy voi paineen alla mennä ihon läpi, aiheuttaen vakavan vamman. Jos öljyä ruiskuu ihon alle, ota välittömästi yhteys lääkäriin.



**TÄRKEÄÄ:** Hydraulilaitteita saa huoltaa vain pätevä hydrauliteknikko. Ota yhteys valtuutettuun ENERPAC-huoltokeskukseen korjauspalveluiden suhteen. Takuun säilyttämiseksi, käytä vain ENERPAC-öljyä.



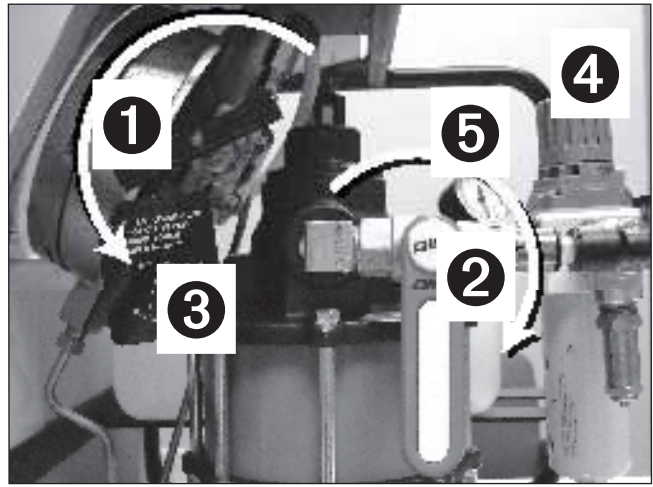
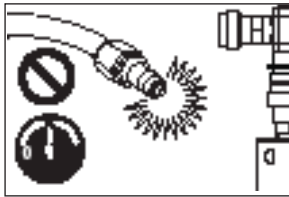
**VAROITUS:** Vaihda välittömästi kuluneet tai vaurioituneet osat aidoilla ENERPAC-osilla. Standardilaatuiset ovat hajoavat, aiheuttaen henkilövammoja ja omaisuuden tuhoutumista. ENERPAC-osat ovat suunniteltu sopimaan kunnolla ja kestäämään raskaita kuormia.

## 2.2 ATP-1500:hen liittyvät varotoimenpiteet



**Varoitus:** Jos seuraavia varotoimenpiteitä ei noudateta, seurauksena saattaa olla vakavia henkilövahinkoja tai hengenvaara!

- Käytä aina suojalaseja ja -käsineitä sekä turvajalkineita pumppua käyttäessäsi.
- Väärin käytettyinä korkeapaineiset hydraulilaitteet saattavat olla erittäin vaarallisia. Pysy loitolla öljyvuodoista laitteen ollessa korkeapaineisena. Korkeapaineisesta laitteesta vuotava neste voi lävistää ihoa, mikä aiheuttaa verenmyrkytystä. Tällaisen onnettomuuden sattuessa hakeudu **VÄLITTÖMÄSTI** lääkärin hoitoon.
- Älä yritä irrottaa hydrauliliitintä sen ollessa paineen alaisena.
- Älä yritä korjata vuotoja järjestelmän ollessa paineistettuna. Varmista, että järjestelmän painemittari osoittaa nolla (0) bar/psi ennen korjausten tekemistä.
- Älä paineista irtikytketyn urosliittimen takaosaa. Jos liitin peittää paineen alaisena, seurauksena saattaa olla vakavia henkilövahinkoja.
- Noudata varovaisuutta paineistaessasi järjestelmää. Paine voi nousta oletettua nopeammin. Seuraa jatkuvasti painemittaria paineistuksen aikana. Ole valmiina pysäyttämään paineistus milloin tahansa.
- Varmista ennen toiminnan aloittamista, että pikaliittimet ovat kunnolla kiinni vetämällä niitä.
- Salli vain koulutetun ja kokeneen henkilökunnan käyttää pumppua. Huolehdi erityisesti siitä, että pumppu ei pääse käynnistymään vahingossa.
- Älä koskaan jätä paineistettua pumppua valvomatta. Jos sinun on poistuttava alueelta, sulje ilmansulkuventtiili ja varmista, että pumpun paineenalennusventtiili (säiliöön palautus) on kokonaan auki. Käännä ilmanpaineen säätönapulaa vastapäivään, kunnes ilmanpainemittari näyttää lukemaa nolla [0] bar/psi.
- Älä koskaan ylitä hydrauliletkujen, -laitteiden ja -pumppujen turvallista työpainetta. Suurin sallittu käyttöpaine (hydraulinen) ATP-1500-pumpulle on 1 500 bar [21 755 psi].



### Selite:

1 AUKI

2 KIINNI

3 Öljyn säiliöön palautuksen venttiili

4 Ilmanpaineen säädin

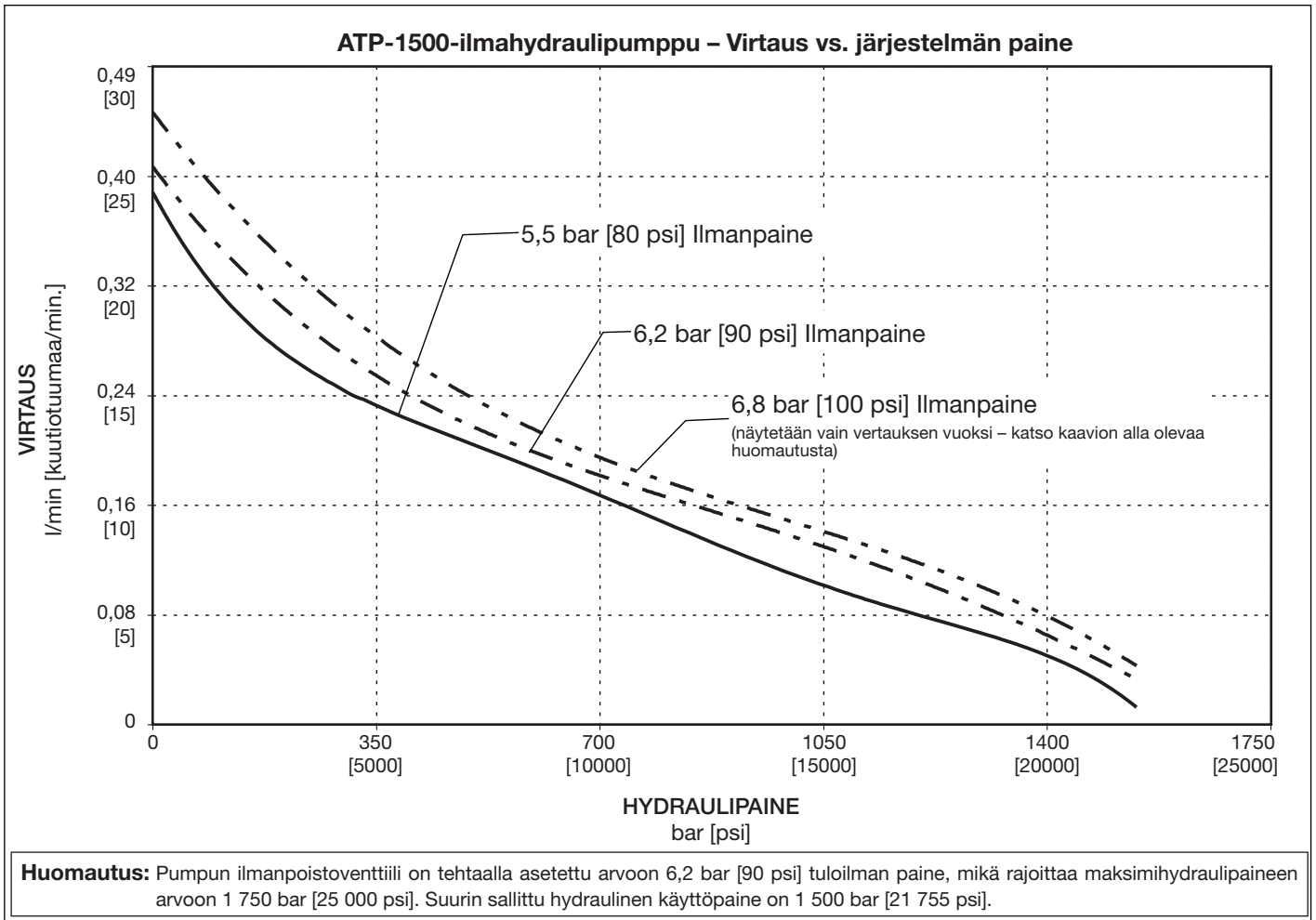
5 Ilmansulkuventtiili

### Kuva 1, Ennen ilmansyötön kytkemistä

- Ennen ilmansyötön kytkemistä: Varmista, että ilmansulkuventtiili (on/off) on suljettuna (ts. kahva on pystysuorassa asennossa) ja että öljyn säiliöön palautuksen venttiili on auki. Katso kuva 1.
- Tarkista ilmanpainemittari ilmansyötön kytkemisen jälkeen. Jos se ilmaisee painetta, käännä ilmanpaineen säätönapulaa vastapäivään, kunnes ilmanpainemittari näyttää lukemaa nolla [0] bar/psi.
- Paineista pumppu aina siten, että aloitat ilmanpaineen ollessa nolla [0] bar/psi ja jatkat siitä ylöspäin. Käännä ilmanpaineen säätönapulaa HITAASTI, jotta äkilliset ja odottamattomat lisäykset hydraulipaineessa vältettäisiin.
- Kun haluttu hydraulipaine on saavutettu, sulje aina ilmansulkuventtiili ja käännä ilmanpaineen säätönapulaa vastapäivään, kunnes ilmanpainemittari näyttää lukemaa nolla [0] bar/psi.
- Vapauta järjestelmästä paine aina, kun se jätetään valvomatta.

### 3.0 TEKNISET TIEDOT

#### 3.1 Suorituskytiedot

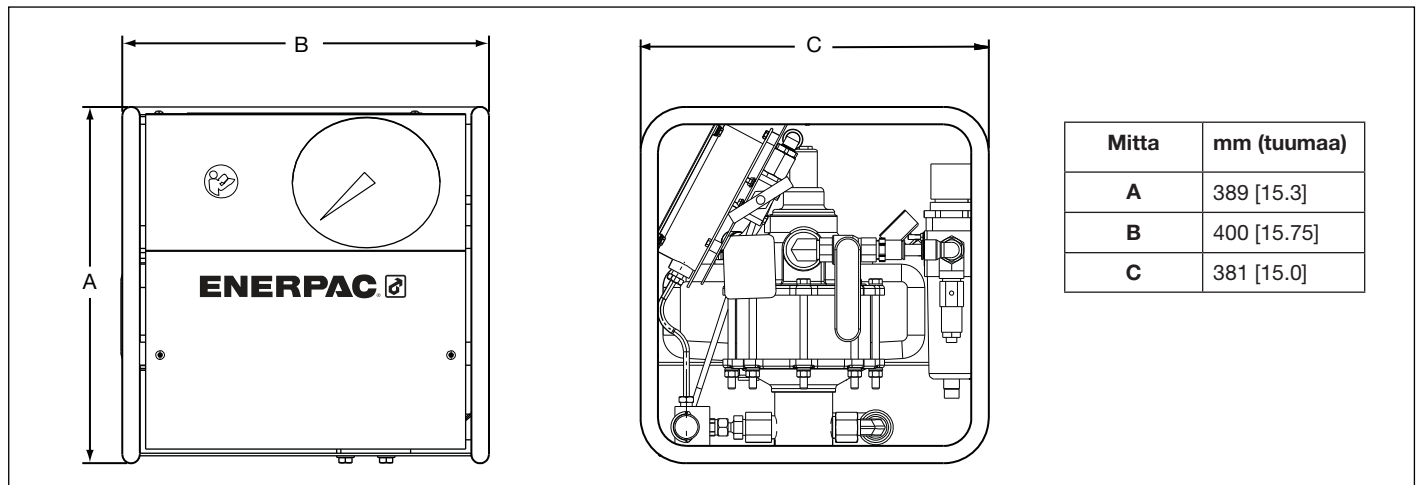


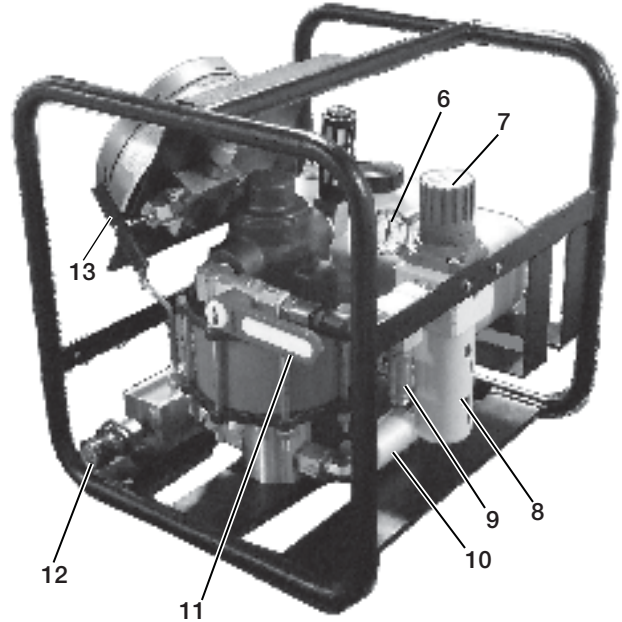
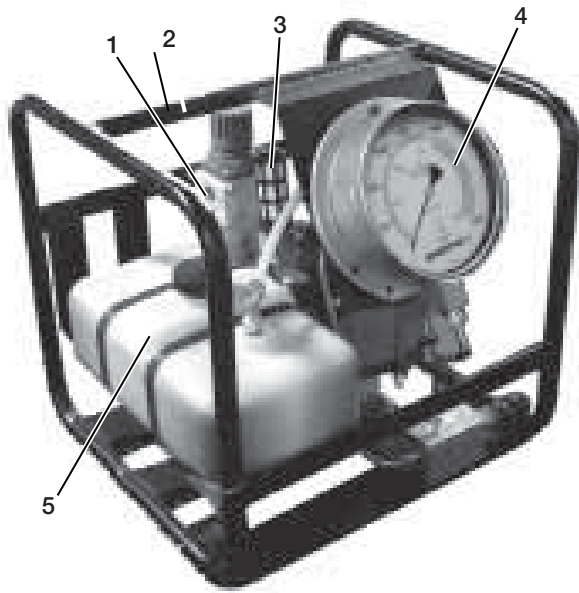
#### 3.2 Tekniset tiedot

Lämpötila-alue	Öljyn viskositeettialue	Hydrauliöljyn tyyppi (suositus)	Tiivistemateriaalit	Maks. hyd. paine (käyttö)	Melutaso	Ilmankulutus (tyypillisesti)	Paino (ml. öljy)
-29 to +50°C [-20 to +140°F]	[15 - 25 C.S.T.] 150 -165 S.U.S.	Enerpac HF	Buna and Viton	1500 bar [21,755 psi]	70 dBA Max.	113 L/Min [21 SCFM]	32 Kg [54 lbs.]

\* Consumo efetivo de ar varia dependendo da aplicação. Veja a Seção 4.3 para informações adicionais.

#### 3.3 Ulkomitat





Selite:

- |                                 |                                   |  |
|---------------------------------|-----------------------------------|--|
| 1. Ilman tuloliitäntä (1/2 NPT) | 6. Ilmanpainemittari              | 11. Ilmansulkuventtiili  |
| 2. Turvakehikko                 | 7. Ilmanpaineen säädin            | 12. Hydraulioiljyn poistoliitäntä                                    |
| 3. Ilmavaimennin                | 8. Suodatinmalja                  | 13. Öljyn säiliöön palautuksen venttiili (paineen vapautus säiliöön) |
| 4. Hydraulipainemittari         | 9. Ilmanpaineen vapautusventtiili |  |
| 5. Hydraulioiljysäiliö          | 10. Hydraulisuodatin              |  |

Kuva 2, Pumpun toiminnot ja osat (Huomautus: Suojat ja kannet on poistettu vain havainnollisuuden vuoksi.)

## 4.0 PUMPUN ASENTAMINEN

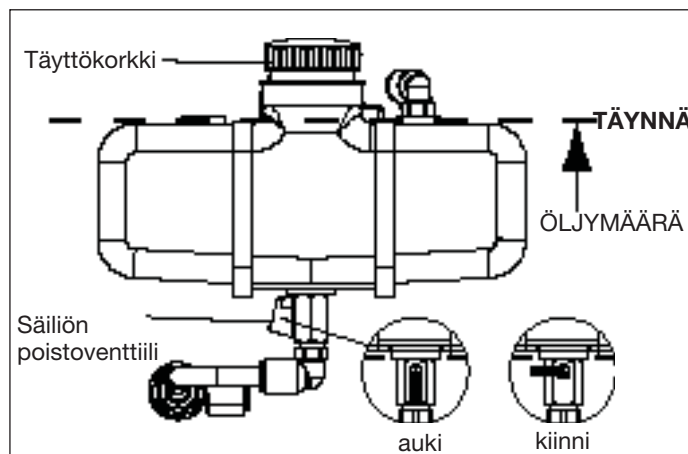
### 4.1 Öljysäiliö

Tarkista pumpun öljyn määrä ennen käynnistystä. Ennen öljyn määrän tarkistusta:

- Varmista, että ilmansulkuventtiili on KIINNI ja että öljyn säiliöön palautuksen venttiili on AUKI. Katso kuva 1.
- Varmista, että pumpun sekä hydraulipaine- että ilmanpainemittari näyttävät lukemaa [0] bar/psi.

Säiliö on TÄYNNÄ, kun öljyn pinta on säiliön yläreunassa kuten kuvassa 3. Öljysäiliön vetoisuus on noin 3,8 litraa [1 US gallona]. Käytä Enerpacin tyyppin HF öljyä.

**TÄRKEÄÄ:** Lisää öljyä siten, että järjestelmän kaikki osat ovat täysin vetäytyneinä. Muussa tapauksessa järjestelmässä on enemmän öljyä kuin säiliö voi sisältää.



Kuva 3, Hydraulioiljysäiliö

### 4.2 Ilma- ja hydrauliliitännät



**VAROITUS:** Ennen ilmansyötön kytkemistä varmista, että ilmansulkuventtiili (onoff) on suljettuna (ts. kahva on pystysuorassa asennossa) ja että öljyn säiliöön palautuksen venttiili on auki. Katso kuva 1. Varmista myös, että ilmanpaineen säädin on kokonaan pois päältä, niin että pumpun ilmanpainemittari näyttää lukemaa nolla [0] bar/psi.

Tee tarvittavat liitännät:

- Pumpun ilmantulo sijaitsee ilmanpaineen säätimessä. Se on 1/2" NPT -vakioliitäntä.
- Pumpun hydraulioiljyn poisto on 1/4" BSPP -naarasliitäntä. Pulttauksiin käytettävissä pumpuissa naaraspikaliitin on tavallisesti asennettu BSPP-liitäntään.

### 4.3 Ilmavaatimukset

Pumpun ilmankulutus on keskimäärin 113 L/min [21 SCFM] vapaata ilmaa 6,8 barin [100 psi] öljynpoistopaineessa. Alhaisemmissa ilmanpaineissa ja korkeammassa hydraulipaineissa ilmankulutus vähenee suhteellisesti mainittuihin virtauslukuihin verrattuna.

**TÄRKEÄÄ:** Pumpun ilmansyöttöpaine ei saa ylittää 6,2 bar [90 psi], staattinen.



**VAROITUS:** Pumpun ilmanpaineen poistoveniilin asetukseksi on tehtaalla määritetty keskimäärin 6,2 bar [90 psi]. Henkilövahinkojen ja laitevaurioiden välttämiseksi älä yritä nostaa varoventtiilin asetusta.

Käytä vain kuivaa ja suodatettua paineilmaa. Vedenerottimen käyttöä suositellaan.

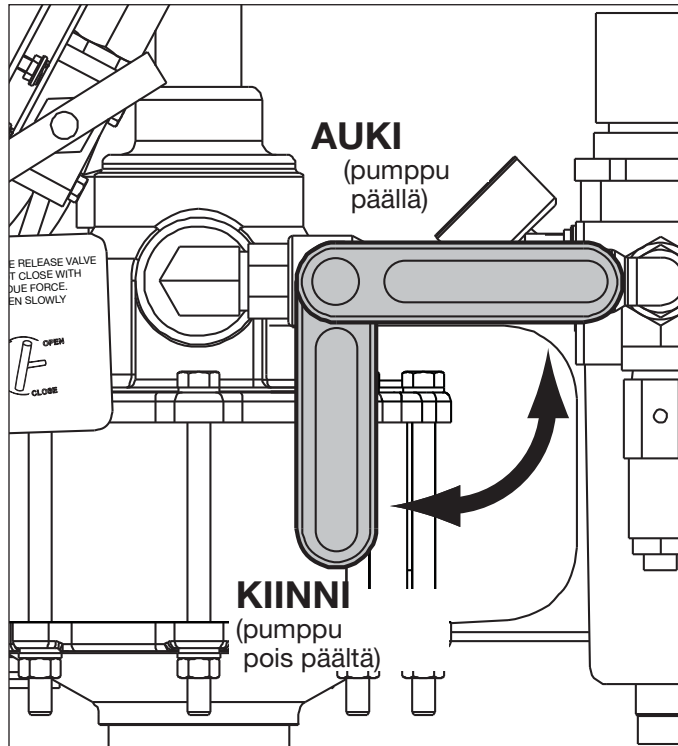
Pumpun sisäosat ovat itseliukasteisia. Öljyttyä ilmaa EI tarvita.

#### 4.4 Pumpun alustus (ilmaus)

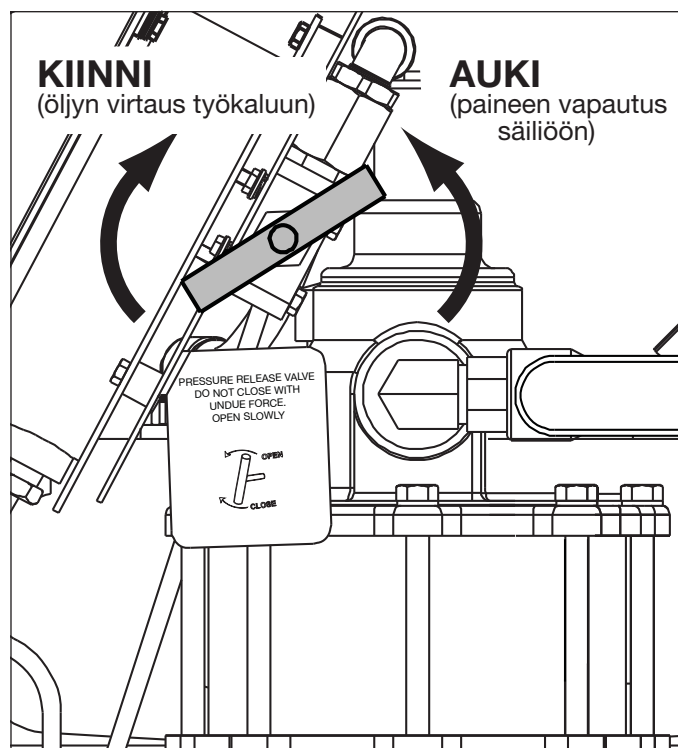
**TÄRKEÄÄ:** Uudet pumput ON alustettava/ilmattava ENNEN ensimmäistä käynnistystä.

Suorita alustus seuraavissa vaiheissa kuvatulla tavalla. Katso kuvat 4–7.

1. Varmista, että hydraulisäiliö on täynnä oikeanlaista öljyä ja että säiliön poistoventtiili on auki. Katso kappale 4.1.
2. Varmista, että ilmansulkuventtiili on KIINNI ja että öljyn säiliön palautuksen venttiili on auki.
3. Löysää säiliön täyttökorkkia noin puoli kierrosta, jotta ilma pääsee poistumaan. **Ilma on poistettava, jotta pumppu toimisi oikein.**



Kuva 4, Ilmansulkuventtiili



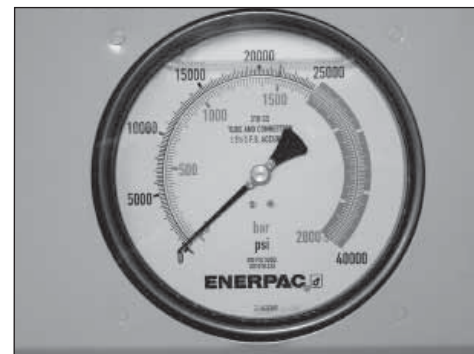
Kuva 5, Öljyn säiliön palautuksen venttiili

4. Liitä ilmansyöttöletku pumpun ilman tuloliitäntään.
5. Ilmansulkuventtiiliin ollessa KIINNI aktivoi ilmanlähde ja tarkista ilmanpainemittari. Jos se ilmaisee painetta, käännä ilmanpaineen säätönappulaa vastapäivään, kunnes ilmanpainemittari näyttää lukemaa nolla [0] bar/psi.



Kuva 6, Ilmanpainemittari ja säädin

6. Liitä 1 m (3 jalkaa) pitkän hydrauliletkun toinen pää pumpun öljyn poistoliitäntään.
7. Asenna letkun toiseen päähän avopäinen pikaliitin.
8. Kierrä auki säiliön täyttökorkki. Aseta letkun se pää, jossa on avopäinen pikaliitin, sisälle säiliöön. Näin öljy pääsee palaamaan ilmauksen aikana.
9. Sulje öljyn säiliön palautuksen venttiili. Siirrä ilmansulkuventtiili AUKI-asentoon.
10. Lisää ilmanpainetta HITAASTI ilmanpaineen säätimen avulla 0,68 barista 1,0 bariin [10–15 psi] pumpun toiminnan käynnistämiseksi.
11. Varmista, että öljy palaa säiliöön letkun kautta. Lisää ilmanpainetta 275 bariin [40 psi], kunnes kaikki ilma on poistunut järjestelmästä (paluuöljyssä ei näy kuplia).
12. Siirrä ilmansulkuventtiili takaisin KIINNI-asentoon. Pumpu pysähtyy.
13. Käännä ilmanpaineen säätönappulaa vastapäivään, kunnes ilmanpainemittari näyttää lukemaa nolla [0] bar/psi.
14. Avaa öljyn säiliön palautuksen venttiili kaiken jäljelle jääneen hydraulipaineen vapauttamiseksi. Varmista, että hydraulipainemittari osoittaa nolla [0] bar/psi.



Kuva 7, Hydraulipainemittari

15. Poista 1 m [3 jalkaa] pitkä paluuöljyletku säiliöstä. Aseta säiliön täyttökorkki takaisin paikalleen.
16. Irrota paluuöljyletku pumpun öljyn poistoliitännästä..

## 5.0 PUMPUN KÄYTTÖ

Käytä pumppua kappaleissa 5.1–5.4 kuvatulla tavalla. Katso kuvat 4–7.

**TÄRKEÄÄ:** Uudet pumput on alustettava/ilmattava ennen käyttöä. Katso kappale 4.4.

### 5.1 Ennen pumpun paineistusta

1. Varmista, että ilmansulkuventtiili on KIINNI ja että öljyn säiliöön palautuksen venttiili on auki.
2. Valmistele pumppu käyttöä varten. Tarkista öljymäärä ja tee letkuliitännät tarpeen mukaan. Katso kappaleet 4.1, 4.2 ja 4.3.
3. Ilmansulkuventtiiliin ollessa KIINNI aktivoi ilmanlähde ja tarkista ilmanpainemittari. Jos se ilmaisee painetta, käännä ilmanpaineen säätönappulaa vastapäivään, kunnes ilmanpainemittari näyttää lukemaa nolla [0] bar/psi.
4. Löysää säiliön täyttökorkkia noin puoli kierrosta, jotta ilma pääsee poistumaan. **Ilma on poistettava, jotta pumppu toimisi oikein.**

### 5.2 Pumpun paineistus

1. Sulje öljyn säiliöön palautuksen venttiili.

**TÄRKEÄÄ:** Sulje öljyn säiliöön palautuksen venttiili käyttäen vain käsipainetta. Työvälineiden käyttö voi vaurioittaa venttiiliä ja/tai venttiiliin istukkaa.

2. Siirrä ilmansulkuventtiili AUKI-asentoon.
3. Lisää HITAASTI ilmanpainetta (käännä ilmanpaineen säätönappulaa myötäpäivään), kunnes pumppu käynnistyy ja hydraulipainetta alkaa muodostua.



**MUISTUTUS:** Tarkkaile hydraulipainemittaria jatkuvasti pumpun ollessa käynnissä. Paine voi nousta oletettua nopeammin. Ole valmiina sulkemaan ilmansulkuventtiili heti, kun mittari osoittaa haluttua hydraulipainetta.

**IMPORTANT:** Hydraulipiirin paineistukseen tarvittava aika vaihtelee riippuen siihen liitettyjen laitteiden määrästä ja tyypistä, käytettävissä olevasta ilman määrästä, hydrauliletkujen pituudesta ynnä muista tekijöistä.

4. Kun hydraulipainemittari osoittaa haluttua lukemaa, lopeta ilmanpaineen säätönappulan kääntäminen ja siirrä ilmansulkuventtiili KIINNI-asentoon. Pumppu pysähtyy.
5. Käännä ilmanpaineen säätönappulaa vastapäivään, kunnes ilmanpainemittari osoittaa nolla [0] bar/psi.

### 5.3 Paineen poistaminen pumpusta

1. Varmista, että ilmansulkuventtiili on KIINNI-asennossa.
2. Avaa öljyn säiliöön palautuksen venttiili HITAASTI hydraulipaineen vapauttamiseksi. Varmista, että hydraulipainemittari osoittaa nolla [0] bar/psi.

### 5.4 Pumpun sammuttaminen ja irtikytkeminen

1. Varmista, että ilmansulkuventtiili on KIINNI-asennossa. Käännä ilmanpaineen säätönappulaa vastapäivään tarvittaessa, kunnes ilmanpainemittari osoittaa nolla [0] bar/psi.
2. Avaa öljyn säiliöön palautuksen venttiili (jos se on suljettuna) HITAASTI hydraulipaineen poistamiseksi. Varmista, että hydraulipainemittari osoittaa nolla [0] bar/psi.
3. Irrota ilmansyöttöletku pumpun ilman tuloliitännästä.
4. Irrota ilmansyöttöletku pumpun öljyn poistoliitännästä.
5. Sulje säiliön täyttökorkki kokonaan.

**TÄRKEÄÄ:** Säiliön täyttökorkin on oltava kokonaan kiinni, kun pumppua ei käytetä, jotta epäpuhtauksia ei pääsisi järjestelmään.

6. Säilytä pumppua kappaleessa 6.0 kuvatulla tavalla.

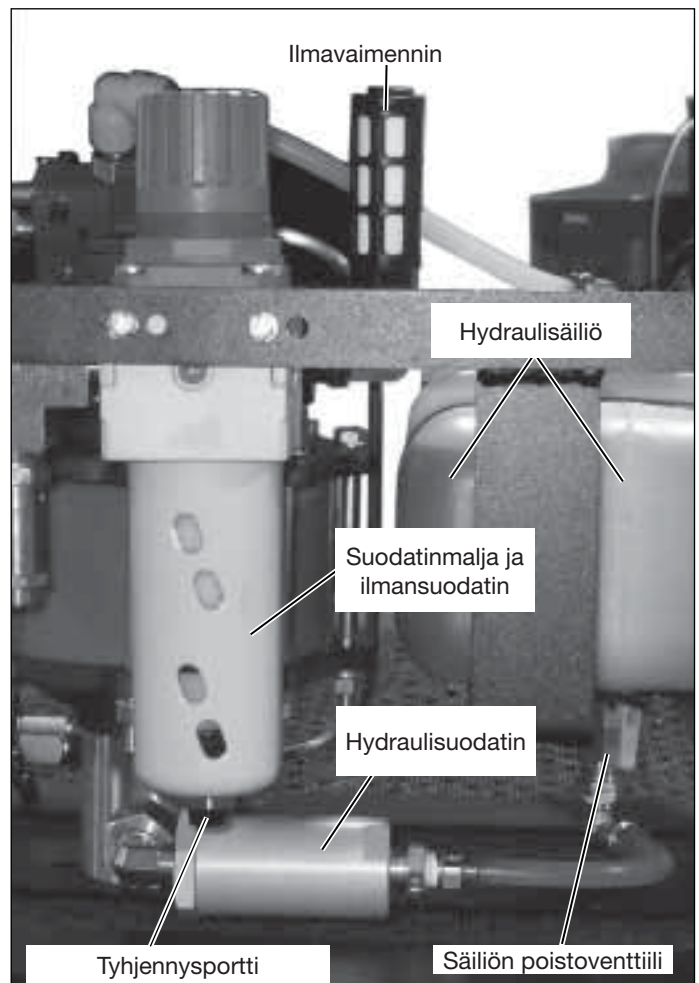
## 6.0 SÄILYTYS

- Varmista, että öljyn säiliöön palautuksen venttiili on AUKI-asennossa.
- Tarkista, että säiliön täyttökorkki on kokonaan kiinni.
- Irrota suodatinmalja. Tyhjennä vesi ja poista lika. Asenna malja tyhjennyksen jälkeen takaisin paikalleen.
- Säilytä pumppua pystysuorassa asennossa puhtaassa ja kuivassa paikassa.
- Aseta pölysuojat hydrauliohjainpoisto- ja ilman tuloliitännöihin.
- Jos pumppua aiotaan säilyttää pitkän aikaa, lisää sopivaa ruosteestoainetta kaikkiin suojaamattomiin oleviin päällystämättömiin metalliosiin.

## 7.0 KUNNOSSAPITO

Katso kuvasta 8 pumpun kunnossapidettävät kohdat.

**TÄRKEÄÄ:** Tee kaikki mahdolliset varotoimet, jotta pumppuun ja öljyletkuihin ei pääsisi likaa ja hiekkaa. Vieras aines järjestelmässä saattaa aiheuttaa pumpun toimintahäiriön tai vaurioittaa pumpun osia. Takuu ei kata tällaisia vaurioita.



Kuva 8, Pumpun kunnossapidettävät osat



**VAROITUS:** BEnnen kunnossapidon tai korjausten aloittamista varmista, että öljyn säiliöön palautuksen venttiili on auki ja että ilmansulkuventtiili on kiinni. Irrota aina ilma- ja hydrauliletkut pumpusta. Varmista, että mittarit osoittavat lukemaa nolla [0] bar/psi.

### 7.1 Ilmansuodatin

Vaihda ilmansuodatin, jos se on likainen tai jos ilmavirrassa ilmenee huomattavaa laskua. Katso osakaavio kuvasta 9.

### 7.2 Suodatinmaljan tyhjennysportti

Suodatinmalja tyhjenee automaattisesti, kun veden taso nousee suurin piirtein 1/3 korkeudelle. Maljan on oltava paineistettuna vähintään 1,5 bariin [22 psi], jotta se voisi tyhjentyä automaattisesti. Haluttaessa tyhjennysletku, jossa on 1/8 tuuman BSPP-liitin (käyttäjän hankittava), voidaan liittää maljan tyhjennysporttiin.

Vaihda koko maljakokoonpano, jos automaattinen tyhjennysominaisuus lakkaa toimimasta. Katso osakaavio kuvasta 9.

**TÄRKEÄÄ:** TÄlä yritä löysätä tyhjennysportin mutteria, jotta automaattinen tyhjennysjärjestelmä ei vahingoittuisi. Maljassa ei ole manuaalista tyhjennysventtiiliä. Jos malja halutaan tyhjentää manuaalisesti, katkaise ilmansyöttö ja tyhjennä maljaan jäänyt vesi poistamalla malja.

### 7.3 Ilmavaimennin

Tarkista ilmavaimennin ajoittain. Poista irtolika ja öljyjäämät rievulla. Vaihda vaimennin, jos se tukkeutuu tai jos pumpun melu lisääntyy merkittävästi. Katso sijainti kuvasta 8.

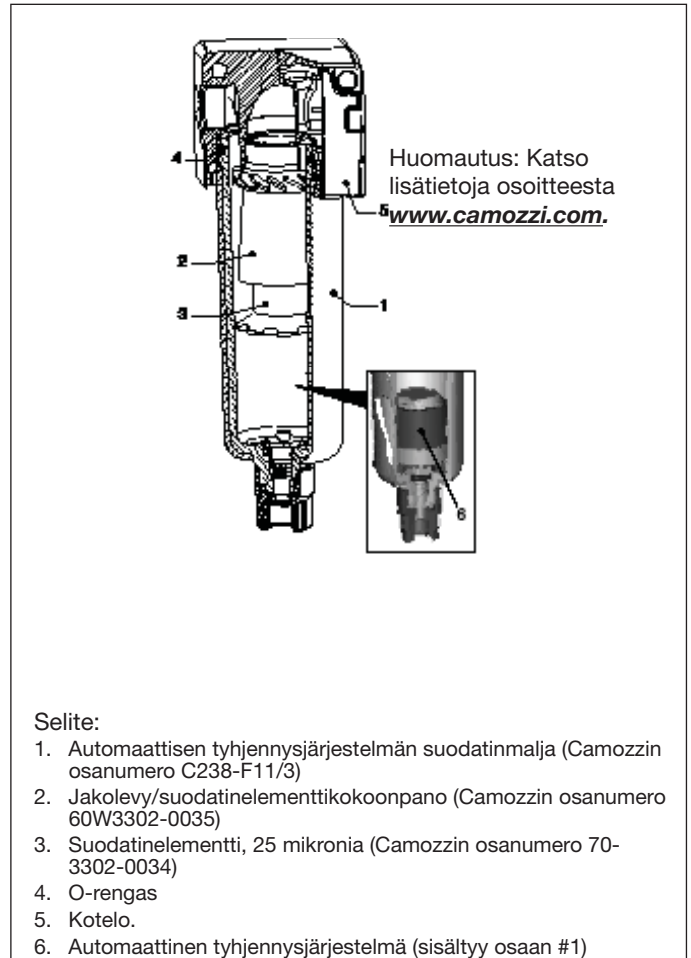
### 7.4 Öljynvaihto

Enerpac HF -öljy on väriltään selkeän sinistä. Tarkista säännöllisesti öljyisaastumisen varalta vertaamalla pumpussa olevaa öljyä uuteen Enerpac-öljyyn. Nyrkkisääntönä on, että säiliö on tyhjennettävä ja puhdistettava kokonaan joka 250 tunti, tai useammin, jos pumpua on käytetty likaisessa ympäristössä. Vaihda öljy seuraavissa vaiheissa kuvattujen ohjeiden mukaisesti. Katso kuva 8:

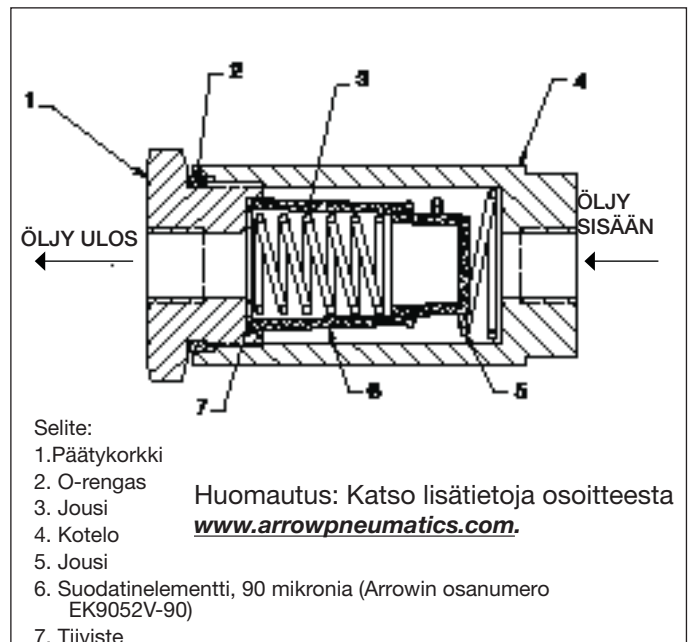
1. Sulje säiliön poistoventtiili.
2. Irrota öljyletku hydraulisuodattimesta. Aseta sopiva astia letkun avoimen pään alle.
3. Avaa säiliön poistoventtiili. Anna öljyn tyhjentyä alla olevaan astiaan. Hävitä käytetty öljy kaikkien sovellettavissa olevien säädösten ja lakien mukaisesti.
4. Pura hydraulisuodatinkokoonpano. Puhdista hydraulisuodatinelementti ja aseta se takaisin paikalleen (tai vaihda se). Katso lisätietoja kappaleesta 7.5.
5. Kiinnitä öljyletku takaisin hydraulisuodattimeen. Jotta ilmaa ei pääsisi sisään ja jotta vuotoja ei tulisi, varmista, että liitännät ovat tiukat.
6. Avaa säiliön poistoventtiili. Ilmaa pumpuu kappaleesta 4.4 kuvatulla tavalla.

### 7.5 Hydraulisuodatin

Irrota ja tarkasta hydraulisuodatinelementti jokaisen öljynvaihdon yhteydessä. Suodatinelementti voidaan puhdistaa ja ottaa uudelleen käyttöön, jos se on hyvässä kunnossa. Uusi suodatinelementti on kuitenkin otettava käyttöön, jos vanha on vaurioitunut tai se on puhdistettu enemmän kuin kolme kertaa. Tarkista suodatinelementti, jos pumpun suorituskyky laskee huomattavasti. Katso osakaavio kuvasta 10.



Kuva 9, Ilmansuodattimen osat



Kuva 10, Hydraulisuodattimen osat



## 8.0 VIANMÄÄRITYS

Vain pätevä hydrauliteknikko saa huoltaa pumppua tai sen osia. Järjestelmän toimintahäiriö ei välttämättä johdu pumpun viasta. Ongelman selvittämiseksi koko järjestelmä on diagnosoitava.

Seuraava vianmäärityskaavio on tarkoitettu ainoastaan apumateriaaliksi selvitettäessä, onko ongelmaa. Huoltotoimien suhteen ota yhteyttä valtuutettuun Enerpac-huoltokeskukseen.

Ongelma	Mahdollinen syy	Toiminta
Pumppu ei käy.	Ilmansyötössä ei ole painetta.	Tarkista ilmansyöttö.
	Pumpun ilmansulkuventtiili on kiinni.	Avaa pumpun ilmansulkuventtiili.
	Pumpun ilmanpaineen säädin on asetettu liian alhaiseksi.	Tarkista painesäätimen asetus
	Pumpun ilmansuodatin on likainen.	Vaihda ilmansuodatin.
	Pumpun ilmamoottori on kulunut tai vaurioitunut.	Ota yhteyttä valtuutettuun Enerpac-huoltokeskukseen.
	Pumppu jumissa.	Ota yhteyttä valtuutettuun Enerpac-huoltokeskukseen.
Pumppu ei onnistu muodostamaan hydraulipainetta tai muodostaa sitä liian vähän.	Alhainen ilmanpaine tai määrä ilmansyötössä.	Tarkista ilmansyöttö.
	Pumpun ilmanpaineen säädin on asetettu liian alhaiseksi.	Tarkista säätimen asetus.
	Pumpun ilmansuodatin on likainen.	Vaihda ilmansuodatin.
	Pumpun öljyn säiliöön palautuksen venttiili on auki tai ei kunnolla kiinni.	Sulje öljyn säiliöön palautuksen venttiili.
	Vähennä öljyn määrää säiliössä.	Tarkista öljyn määrä. Lisää öljyä tarpeen mukaan.
	Pumpun hydraulisuodatin on likainen.	Puhdista tai vaihda hydraulisuodatinelementti.
	Öljyvuotoa hydrauliletkuissa, -liittimissä tai -laitteissa.	Vaihda vuotavat osat tarpeen mukaan.
	Pumpun öljyn säiliöön palautuksen venttiili vuotaa.	Vaihda öljyn säiliöön palautuksen venttiili.
	Pumpun ilmamoottori on kulunut tai vaurioitunut.	Ota yhteyttä valtuutettuun Enerpac-huoltokeskukseen.
	Sisäinen vuoto pumpussa ja/tai ilmamoottorissa.	Ota yhteyttä valtuutettuun Enerpac-huoltokeskukseen.
Pumppu toimii nytkähtelevästi tai epätasaisesti.	Alhainen ilmanpaine tai määrä ilmansyötössä.	Tarkista ilmansyöttö.
	Pumpun ilmansuodattimen malja on tyhjennettävä.	Ilmaa pumppu kappaleessa 4.4 kuvatulla tavalla.
	Hydrauliöljy on likaista.	Vaihda hydrauliöljy. Käytä vain Enerpac HF -öljyä. Puhdista tai vaihda hydraulisuodatinelementti.
	Pumppuelementti on kulunut tai vaurioitunut.	Ota yhteyttä valtuutettuun Enerpac-huoltokeskukseen.
Liikaa kosteutta pumpun poistojärjestelmässä.	Liikaa vettä ja/tai voiteluainetta syöttöilmassa	Vähennä ilman kosteutta. Asenna vedenerotin. <b>Huomautus:</b> Pumpun osat ovat itseliukasteisia. Öljyttyä ilmaa ei tarvita.
	Pumpun ilmansuodattimen malja on tyhjennettävä.	Tarkista, onko maljassa vettä. Tyhjennä tarvittaessa.
	Pumpun ilmansuodatin on likainen.	Vaihda ilmansuodatin.
	Sisäinen vuoto pumpussa ja/tai ilmamoottorissa.	Ota yhteyttä valtuutettuun Enerpac-huoltokeskukseen.

L2743 Rev. A 06/10

## 1.0 VIKTIG VED MOTTAK AV PRODUKTET

Foreta en visuell inspeksjon av alle komponenter for å forvisse deg om at ikke noe er skadd under transporten. Transportskader er ikke dekket av produktgarantien. Dersom du finner transportskader må du øyeblikkelig kontakte transportøren. Transportøren er ansvarlig for alle utgifter til reparasjon og nye deler som oppstår som en følge av transportskade.

## 2.0 SIKKERHET

### 2.1 GENERELLE SIKKERHETSREGLER FOR HYDRAULIKK



Les alle instruksjer og advarsler nøye. Følg alle råd om sikkerhet for å unngå skade på person eller eiendom ved drift av systemet. Enerpac kan ikke påta seg ansvar for skade på person eller materiell som følger av usikker bruk av produktet, mangel på vedlikehold eller uriktig bruk av produkt eller system. Kontakt Enerpac dersom du er i tvil om sikker bruk av produktet. Dersom du aldri har fått opplæring i hydraulisk høytrykksikkerhet, bør du kontakte ditt distribusjons- eller servicesenter for et kostnadsfritt Enerpac Hydraulikk Sikkerhetskurs.

Det er viktig å rette seg etter følgende forskrifter og advarsler for å unngå skade på personer og utstyr.

**FORSIKTIG** brukes for å indikere korrekte prosedyrer for drift eller vedlikehold for å unngå skader på-, eller ødeleggelse av utstyret eller annen eiendom.

**ADVARSEL** indikerer en potensiell fare som krever korrekte prosedyrer eller bruksmåter for å unngå personskade.

**FARE** brukes kun når din handling eller mangel på handling kan forårsake alvorlig skade eller død.



**ADVARSEL:** Bruk riktig personlig verneutstyr når du bruker hydraulisk utstyr.



Still aldri avlastningsventilen (kun pumper utstyrt med brukerjusterte avlastningsventiler) inn på et høyere trykk enn pumpens nominelle maksimaltrykk. Høyereinnstillinger kan føre til skade på utstyret og/eller personskade.



**ADVARSEL:** Systemets arbeidstrykk på ikke overstige trykkklasse av den lavest klasserte komponenten i systemet. Installer trykkmålere i systemet for å overvåke driftstrykk. Det er ditt vindu inn til hva som skjer i systemet.



**FORSIKTIG:** Unngå skader på hydrauliske slanger. Unngå bøyning og krølling når de hydrauliske slangene legges ut. Å bruke en bøyd eller krøllet slange vil skape et alvorlig mottrykk. Skarpe bøyer eller krøll vil umiddelbart skade slangen og føre til tidlig slangefeil.



Ikke slipp tunge gjenstander på slangen. Et hardt slag kan føre til skade på slangens armering. Å sette trykk på en skadet slange kan få den til å revne.



**VIKTIG:** Ikke løft hydraulisk utstyr i slangen eller svivelkoblinger. Bruk bærehåndtaket eller andre sikre måter å bære på.



**FORSIKTIG:** Hold hydraulisk utstyr unna åpen ild og varme. For mye varme vil gjøre pakninger og forseglinger bløte, noe som fører til væskelekkasje. Hete svekker også slangematerialet og pakninger. For best mulig ytelse bør ikke utstyret utsettes for temperaturer over 65 °C. Beskytt slanger og sylindere mot sveisesprut.



**FARE:** Ikke håndter slanger under trykk. Oljesprut under trykk kan gå gjennom huden og gjøre alvorlig skade. Dersom olje er trenger gjennom huden må man oppsøke lege med en gang.



**VIKTIG:** Hydraulisk utstyr må kun få service av en kvalifisert hydraulikktekniker. For reparasjoner, kontakt et Autorisert ENERPAC Servicesenter i din region. For å beskytte garantien, bruk bare ENERPAC hydraulikkolje.



**ADVARSEL:** Bytt umiddelbart ut slitte eller skadde deler med ekte ENERPAC-deler. Uoriginale deler vil gå i stykker og forårsake skade på personer og eiendom. ENERPAC-deler er designet for å passe riktig og for å tåle store påkjenninger.

## 2.2 ATP-1500 Sikkerhetsmessige forholdsregler



**Advarsel:** Hvis du ikke følger disse reglene, kan det føre til alvorlig personskade eller død.

- Bruk alltid vernebriller, hansker og vernestøvler når du arbeider med pumpen.
- Hydraulisk høytrykksutstyr kan være meget farlig hvis det brukes feil. Hold deg unna oljelekkasjer med høyt trykk. Væske som spruter ut fra høytrykksutstyr kan ha tilstrekkelig kraft til å trenge gjennom huden, noe som kan føre til blodforgiftning. I tilfelle av en slik ulykke, må det oppsøkes lege UMIDDELBART.

- Forsøk aldri å koble fra en hydraulisk kobling under trykk.



- Forsøk aldri å reparere lekkasjer mens systemet er under trykk. Vær sikker på at trykkmåleren indikerer null [0] bar/psi før du utfører noen form for reparasjon.

- Sett aldri baksiden av en frakoblet hankobling under trykk. Det kan føre til alvorlige skader hvis koblingen svikter under trykk.



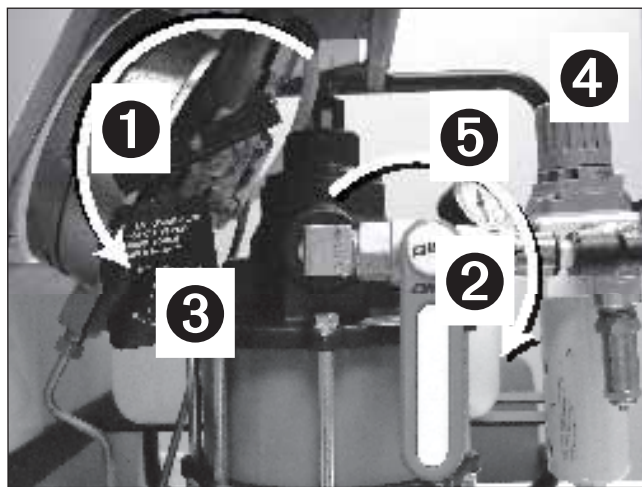
- Vær forsiktig når du setter trykk på et system. Trykket kan stige raskere enn forventet. Følg hele tiden med på trykkmåleren mens trykket settes på. Vær klar til å stoppe trykktilførselen raskt.

- Før drift må du påse at hurtigkoblinger sitter fast ved fysisk å trekke i dem.

- Kun personell med opplæring og erfaring bør arbeide med pumpen. Vær ekstra forsiktig og unngå utilsiktet oppstart av pumpen.

- La aldri pumpen stå uten tilsyn når den er under trykk. Hvis du må forlate området, må du lukke luftstengeventilen og sørge for at utløsningsventilen (retur-til-tank) på pumpen er helt åpen. Drei regulatorbryteren for lufttrykket mot klokken til null [0] bar/psi indikeres på lufttrykkmåleren.

- Overskrid aldri sikkert arbeidstrykk for hydraulikkslanger, verktøy eller pumpe. Maks tillatt driftstrykk (hydraulisk) for pumpen ATP-1500 er 1500 bar [21 755 psi].



Nummerforklaring:

① ÅPEN

② LUKKET

③ Utløsningsventil (retur til tank)

④ Lufttrykksregulator

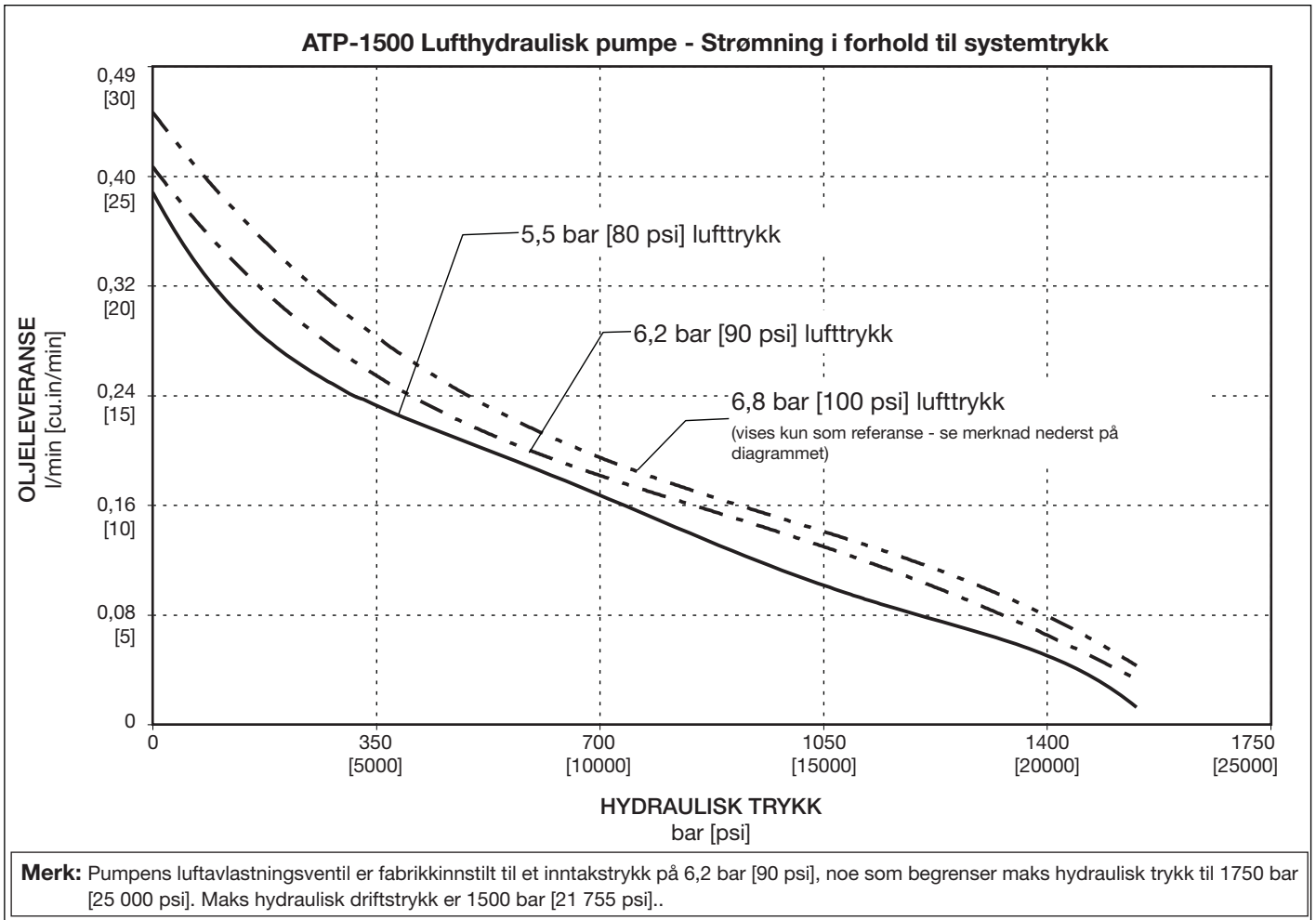
⑤ Avstengingsventil for luft

Figur 1, Før du kobler til luftforsyningen

- Før du kobler til luftforsyningen: Påse at luftstengeventilen (på-av) er lukket (dvs. hendelen i vertikal stilling) og at utløsningsventilen (retur til tank) er åpen. Se Figur 1.
- Sjekk lufttrykkmåleren etter at luftforsyningen kobles til. Hvis det indikeres trykk, drei regulatorbryteren for lufttrykket mot klokken til null [0] bar/psi indikeres på lufttrykkmåleren.
- Sett alltid trykk på pumpen ved å starte på null [0] bar/psi og arbeide opp derfra. Drei reguleringsbryteren for lufttrykk SAKTE for å unngå brå og uventede trykkøkninger.
- Etter at ønsket hydraulisk trykk er nådd, må du alltid stenge luftstengeventilen og dreie regulatoren for lufttrykk mot klokken til null [0] bar/psi vises på trykkmåleren.
- Avlast alltid trykket i systemet før du forlater det.

### 3.0 SPESIFIKASJONER

#### 3.1 Ytelsesdata

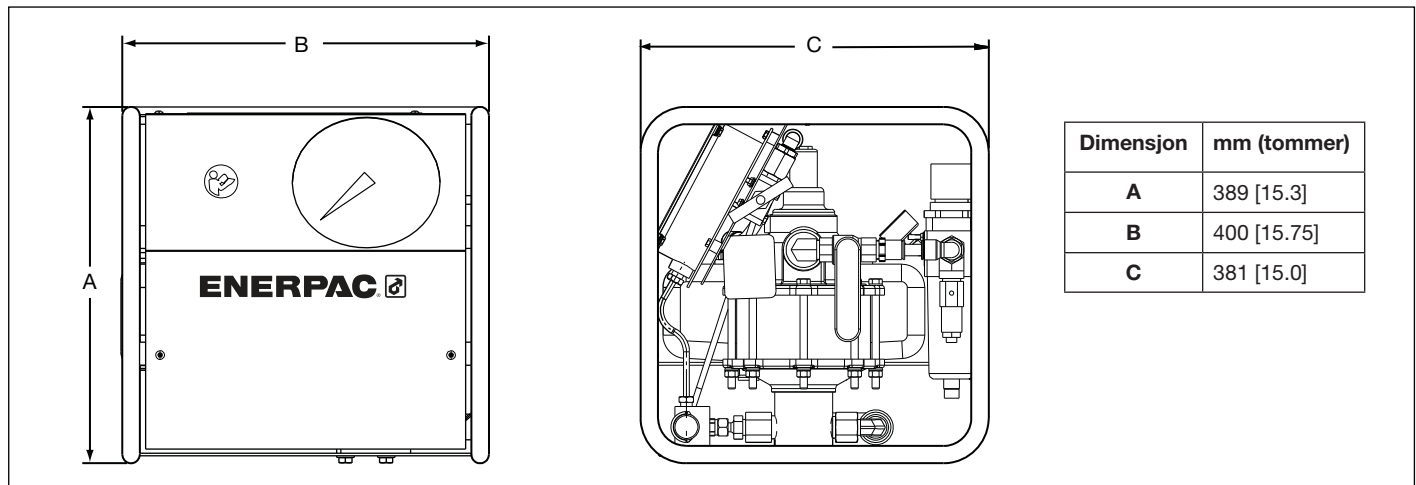


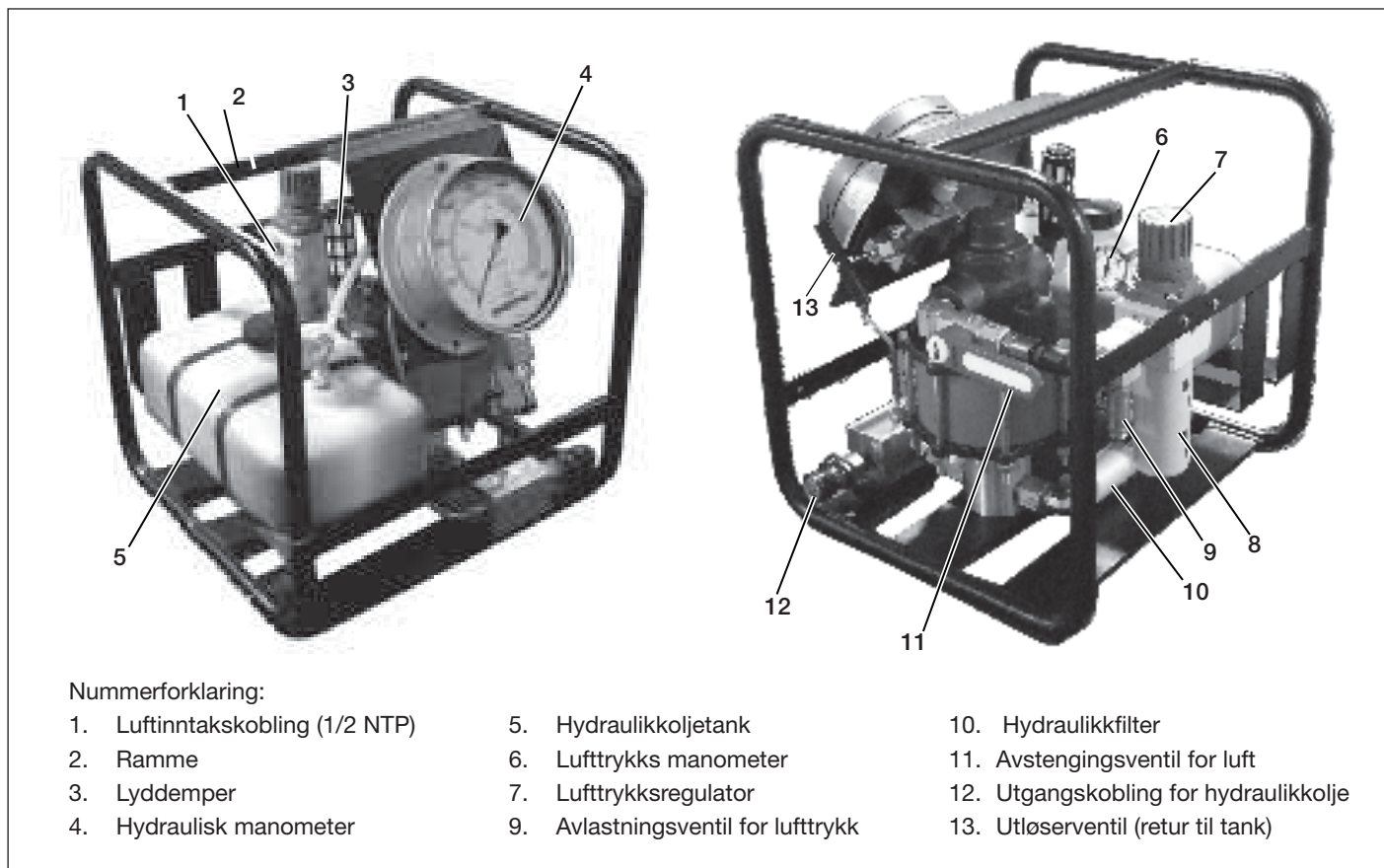
#### 3.2 Tekniske data

Temperaturgrenser	Oljeviskositet	Type hydraulikkolje (anbefalt)	Pakningsmaterialer	Maks hyd. trykk (i drift)	Lydnivå	Luftforbruk* (typisk)	Vekt (inkl. olje)
-29 to +50°C [-20 to +140°F]	[15 - 25 C.S.T.] 150 -165 S.U.S.	Enerpac HF	Buna and Viton	1500 bar [21,755 psi]	70 dBA Max.	113 L/Min [21 SCFM]	32 Kg [54 lbs.]

\* Consumo efetivo de ar varia dependendo da aplicação. Veja a Seção 4.3 para informações adicionais.

#### 3.3 Ytre dimensjoner





Figur 2, Pumpefunksjoner og komponenter (Merk: vern og deksler er fjernet av hensyn til illustrasjonen.)

## 4.0 OPPSETT AV PUMPE

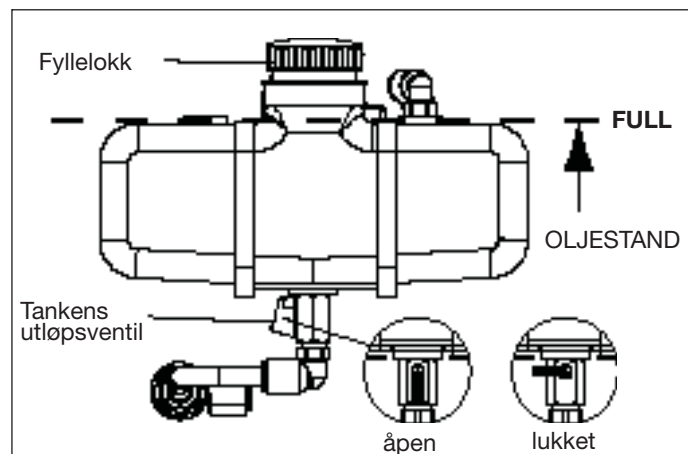
### 4.1 Oljetank

Sjekk pumpens oljestand før oppstart. Før du sjekker oljestanden:

- Sørg for at avstengingsventilen for luft er LUKKET og at utløserventiler ÅPEN. Se Figur 1.
- Påse at pumpens manometere for luft og hydraulikk begge viser [0] bar/psi.

Tanken er FULL når oljestanden er på toppen av tanken, slik det vises i Fig. 3. Oljekapasiteten er ca. 3,8 liter [1 US gallon]. Bruk Enerpac olje type HF

**VIKTIG:** Etterfyll olje når alle systemkomponenter er fullstendig trukket tilbake, hvis ikke vil systemet inneholde mer olje enn det er plass i tanken.



Figur 3, Hydraulikkoljetank

### 4.2 Luft- og hydrauliske koblinger



**ADVARSEL:** Før du kobler til luftforsyningen, påse at luftstengeventilen (på-av) er lukket (dvs. hendelen i vertikal stilling) og at utløserventilen (oljeretur til tank) er åpen. Se Figur 1. Påse også at lufttrykksregulatoren dreies helt av slik at pumpens manometer viser null [0] bar/psi.

Koble til etter behov.

- Pumpens luftinntak sitter sammen med lufttrykksregulatoren. Det er en standard 1/2" NPT-kobling.
- Pumpens utgangskobling for hydraulikkolje er en 1/4" BSPP hunkobling. På pumper som brukes til bolting installeres vanligvis en hurtigkobling i BSPP-koblingen.

### 4.3 Krav til luft

Pumpens luftforbruk er ca. 113 l/min [21 SCFM] med fri luft ved 6,8 bar [100 psi] oljeutgangstrykk. Ved lavere lufttrykk og høyere hydrauliske trykk vil luftforbruket bli proporsjonalt redusert til de indikerte strømningshastighetene.

**VIKTIG:** Pumpens luftforsyning bør ikke overskride 6,2 bar [90 psi] statisk.



**ADVARSEL:** Pumpens avlastningsventil for luft er fabrikkinnstilt på ca. 6,2 bar [90 psi]. For å unngå personskade eller skade på utstyret bør du ikke øke innstillingen på avlastningsventilen.

Bruk kun tørr og filtrert trykkluft. Bruk av en vannseparator anbefales på det sterkeste.

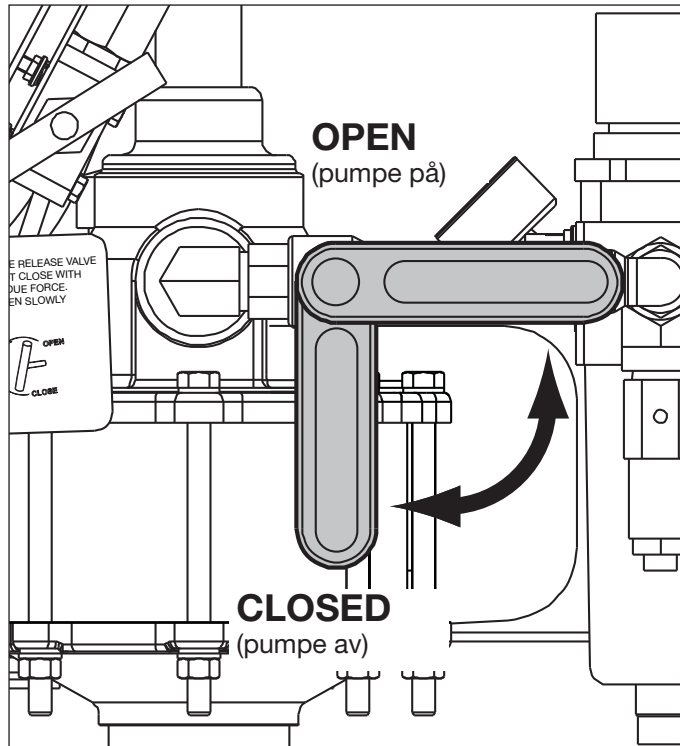
Pumpens innvendige komponenter er selvsørende. Det er ikke behov for smurt luft.

#### 4.4 Priming av pumpen (utlufting)

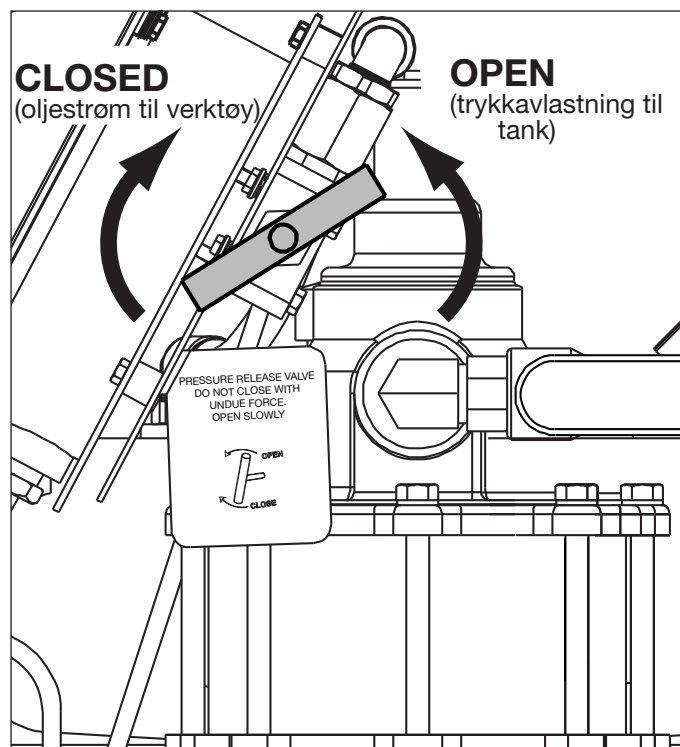
**VIKTIG:** Nye pumper MÅ primes FØR første oppstart.

Utfør primingsprosedyren i samsvar med følgende trinn. Se figurene 4-7.

1. Påse at hydraulikk tanken er fylt med korrekt olje og at utløpsventilen er åpen. Se avsnitt 4.1.
2. Påse at luftstengeventilen er LUKKET og at utløsningsventilen (oljeretur til tank) er åpen.
3. Løsne tankens fyllelokk ca. en halv omdreining for å slippe ut luft. **Utlufting er nødvendig for at pumpen skal virke.**

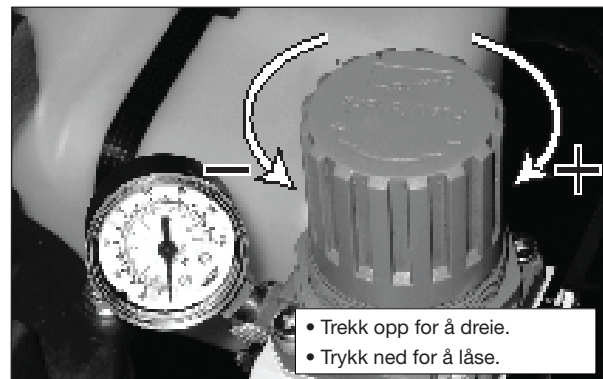


Figur 4, Avstengingsventil for luft



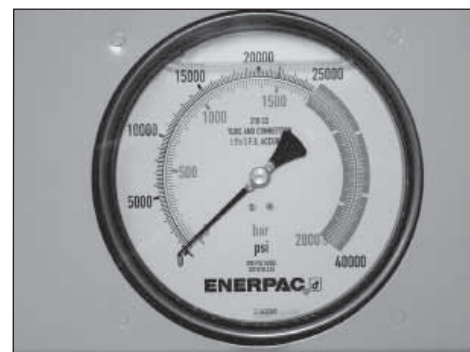
Figur 5, Utløsningsventil (oljeretur til tank)

4. Koble luftforsyningsslangen til pumpens luftinntak.
5. Mens luftavstengingsventilen er LUKKET, aktiverer du lufttilførsel og sjekker lufttrykkmåleren. Hvis det indikeres trykk, dreier regulatorbryteren for lufttrykket mot klokken til null [0] bar/psi indikeres på lufttrykkmåleren.



Figur 6, Lufttrykkmåler og regulator

6. Koble en ende av en 1 m [3 fot] lang hydraulikkslange til pumpens oljeutgangskobling.
7. Installer en åpen-endet hurtigkobling i den andre enden av slangen.
8. Skru opp tankens fyllelokk. Plasser slangeenden med den åpenendede koblingen i tanken. Dett gjør at oljen kan returnere under priming.
9. Lukk utløsningsventilen (oljeretur til tank). Sett luftavstengingsventilen til ÅPEN stilling.
10. Bruk lufttrykkregulatoren og øk lufttrykket SAKTE fra 0 bar/psi til 0,68-1,0 bar [10-15 psi] for å starte opp pumpen.
11. Kontroller at oljen returnerer til tanken gjennom slangen. Øk lufttrykket til 2,75 bar [40 psi] til all luft er presset ut av systemet (ingen bobler i returoljen).
12. Sett luftavstengingsventilen tilbake til LUKKET stilling. Pumpen vil stanse.
13. Dreier regulatorbryteren for lufttrykket mot klokken til null [0] bar/psi indikeres på lufttrykkmåleren.
14. Åpne utløsningsventilen (oljeretur til tank) for å avlaste eventuelt hydraulisk trykk. Kontroller at oljetrykkmåleren indikerer null (0) bar/psi.



Figur 7, Hydraulikktrykkmåler manometer

15. Fjern den 1 m [3 fot] lange oljereturslangen fra tanken. Skru på tankens fyllelokk igjen.
16. Koble oljereturslangen fra pumpens oljeutløp.

## 5.0 BRUK AV PUMPEN

Bruk pumpen slik det beskrives i avsnittene 5.1 til 5.4. Se figurene 4-7.

**VIKTIG:** Nye pumper må primes før de brukes. Se avsnitt 4.4.

### 5.1 Før du setter trykk på pumpen

1. Påse at luftavstengingsventilen er LUKKET og at utløsningsventilen (oljeretur til tank) er åpen.
2. Klargjør pumpen for bruk. Sjekk oljestanden og koble til slanger etter behov. Se avsnittene 4.1, 4.2 og 4.3.
3. Mens luftavstengingsventilen er LUKKET, aktiverer du lufttilførsel og sjekker lufttrykkmåleren. Hvis det indikeres trykk, dreier regulatorbryteren for lufttrykket mot klokken til null [0] bar/psi indikeres på lufttrykkmåleren.
4. Løsne tankens fyllelokk ca. en halv omdreining for å slippe ut luft. **Utlufting er nødvendig for at pumpen skal virke.**

### 5.2 Sette trykk på pumpen

1. Lukk utløsningsventilen (oljeretur til tank).

**VIKTIG:** Lukk utløsningsventilen (oljeretur til tank) kun med håndkraft. Bruk av verktøy for å lukke ventilen kan føre til skade på ventilen og/eller ventilsetet.

2. Sett luftavstengingsventilen til ÅPEN stilling.
3. Øk lufttrykket SAKTE (dreier regulatorbryteren med klokken) til pumpen begynner å gå og det hydrauliske trykket begynner å bygges opp.



**FORSIKTIG:** Følg hele tiden med på hydraulikktrykkmåleren mens pumpen går. Trykket kan stige raskere enn forventet. Vær forberedt på å lukke luftavstengingsventilen øyeblikkelig når ønsket hydraulisk trykk er nå.

**VIKTIG:** Tiden som kreves for å sette den hydrauliske kretsen under trykk vil variere, avhengig av antallet og typen av verktøy som kobles til, tilgjengelig luftvolum, lengden på hydraulikkslangene og andre faktorer.

4. Når hydraulikktrykkmåleren viser ønsket verdi, slutter du å dreie på luftregulatoren og setter luftavstengingsventilen i LUKKET stilling. Pumpen vil stanse.
5. Dreier lufttrykkregulatoren mot klokken til trykkmåleren viser null [0] bar/psi.

### 5.3 Trykkavlaste pumpen

1. Sett luftavstengingsventilen til LUKKET stilling.
2. Åpne utløsningsventilen (oljeretur til tank) SAKTE for å avlaste hydraulisk trykk. Kontroller at oljetrykkmåleren indikerer null [0] bar/psi.

### 5.4 Avstenging og frakobling av pumpen

1. Sett luftavstengingsventilen til LUKKET stilling. Dreier lufttrykkregulatoren mot klokken til trykkmåleren viser null [0] bar/psi.
2. Åpne utløsningsventilen (oljeretur til tank) SAKTE for å avlaste eventuelt hydraulisk trykk. Kontroller at oljetrykkmåleren indikerer null [0] bar/psi.
3. Koble luftforsyningsslangen fra pumpens luftinntak.
4. Koble oljeforsyningsslangen fra pumpens oljeutløp.

5. Skru tankens fyllelokk helt igjen..

**VIKTIG:** Tankens fyllelokk må lukkes helt når pumpen ikke brukes, for å hindre at det kommer urenheter inn i systemet.

6. Oppbevar pumpen slik det beskrives i avsnitt 6.0.

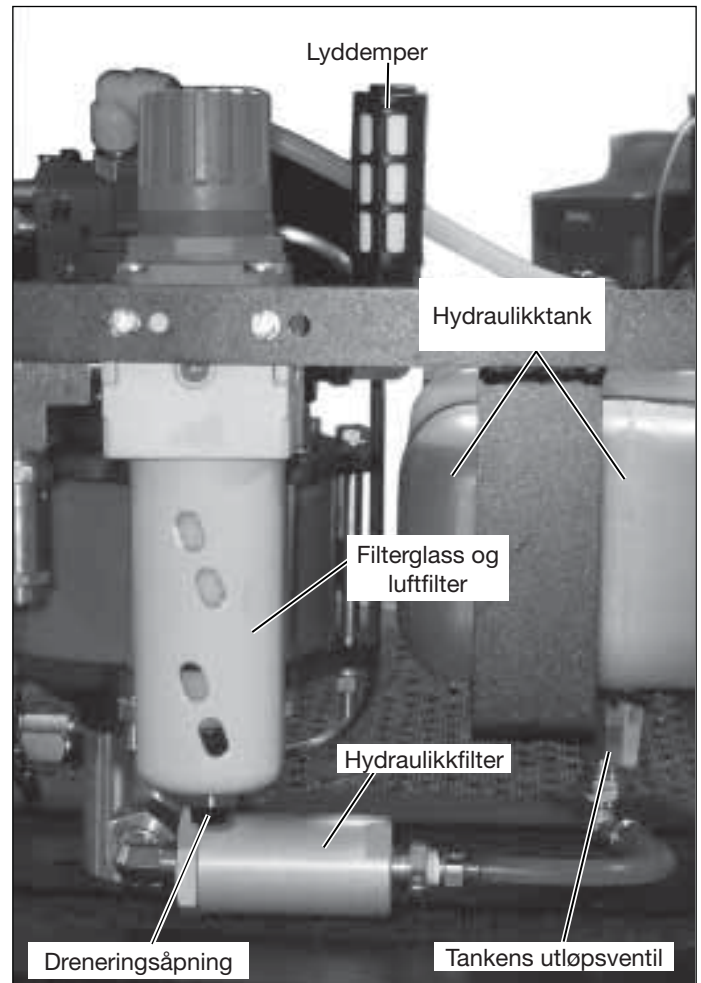
## 6.0 OPPBEVARING

- Påse at oljereturventilen er ÅPEN.
- Kontroller at tankens fyllelokk er helt lukket.
- Ta av filterhuset. Tapp av vann og fjern alle rester. Sett filterglasset tilbake etter avtappingen.
- Oppbevar pumpen stående på et rent og tørt sted.
- Sett støvkapper over oljeutganger og luftinntak.
- Hvis pumpen skal oppbevares over lengre tid, bør du smøre inn alle eksponerte metalldele med et rusthindrende middel

## 7.0 VEDLIKEHOLD

**Se Figur 8 for pumpens vedlikeholdspunkter.**

**VIKTIG:** Bruk alle midler for å unngå at det kommer skitt og partikler inn i pumpen og oljeledningene. Fremmedlegemer i systemet kan føre til pumpevik eller skade på komponenter. Slik skade dekkes ikke av garantien.



Figur 8, Pumpens vedlikeholdspunkter



**ADVARSEL:** Før du starter vedlikehold eller reparasjoner må du sørge for at oljereturventilen er åpen og at luftavstengingsventilen er lukket. Koble alltid luft og oljeslanger fra pumpen. Kontroller at målerne viser null [0] bar/psi.

## 7.1 Luftfilter

Skift ut luftfilterelementet hvis det er skittent eller hvis luftstrømmen er vesentlig redusert. Se Figur 9 for et delediagram.

## 7.2 Filterglassets dreneringsåpning

Filterglasset vil automatisk drenere seg selv når vannstanden stiger til ca. 1/3 av glassets høyde. Glasset må settes under trykk med minst 1,5 bar [22 psi] for at det skal kunne dreneres automatisk. Om ønskelig kan du koble en dreneringsslange med en 1/8" BSPP-kobling (følger ikke med) til filterglassets dreneringsåpning.

Skift hele filterglasset hvis den automatiske dreneringen ikke virker. Se Figur 9 for et delediagram.

**VIKTIG:** For å unngå skade på den automatiske dreneringsmodulen må du ikke forsøke å løsne dreneringsåpningens mutter. Glasset har ingen manuell dreneringsventil. Hvis du vil drenere manuelt, må du stenge av luftforsyningen og drenere vannet ved å fjerne glasset.

## 7.3 Lyddemper

Lyddemperen bør inspiseres jevnlig. Fjern all løs skitt og oljerester med en fille. Skift lyddemperen hvis den tilstoppes eller hvis det er merkbart mer pumpestøy. Se Figur 8 for plassering.

## 7.4 Oljeskifte

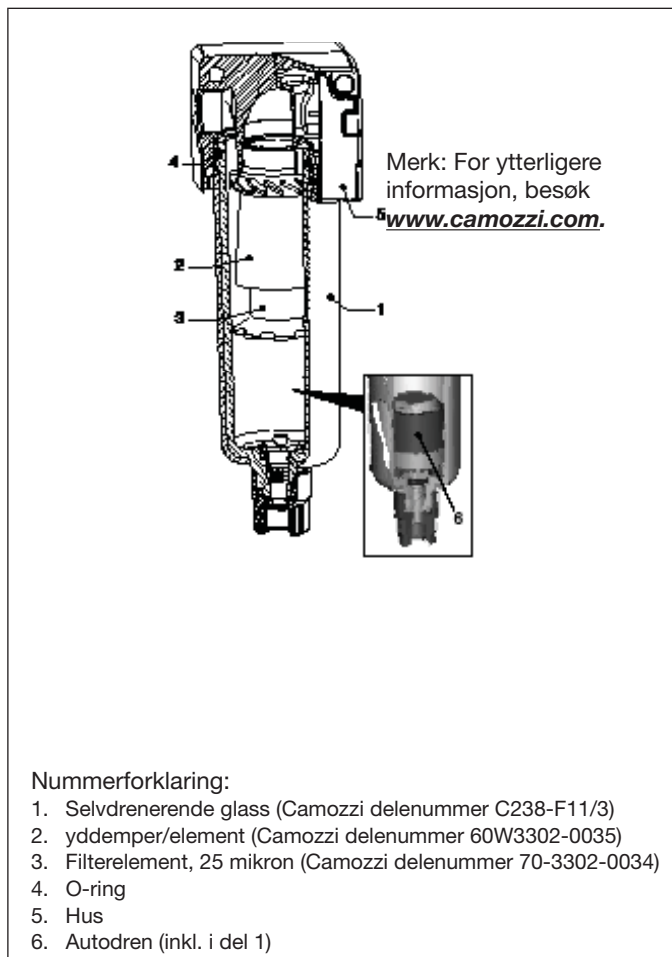
Enerpac HF olje har en frisk blå farge. Sjekk oljen jevnlig for kontaminering ved å sammenligne oljen på pumpen med frisk Enerpac olje. Som en generell regel bør du tappe av all olje og gjøre rent tanken etter 250 timers bruk, eller oftere hvis utstyret brukes i spesielt skitne omgivelser.

Skift olje som beskrevet i følgende trinn. Se Figur 8:

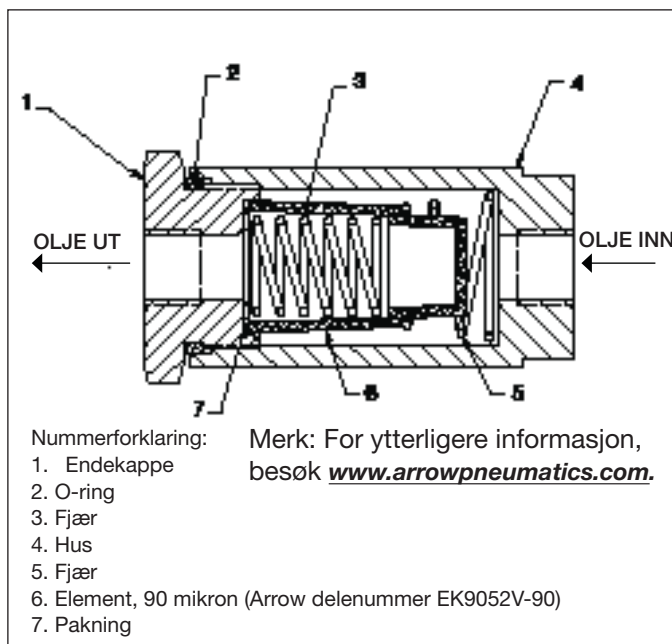
1. Lukk tankens utløpsventil.
2. Koble fra oljeslangen på hydraulikkfilteret. Plasser en passende beholder under slangens åpne ende.
3. Åpne tankens utløpsventil. La oljen renne ned i beholderen under. Kast brukt olje i samsvar med gjeldende lover og forskrifter.
4. Demonter hydraulikkfilteret. Rengjør og reinstaller (eller skift) hydraulikkfilterelementet. Se avsnitt 7.5 for mer informasjon.
5. Koble oljeslangen til hydraulikkfilteret. For å unngå luft eller lekkasjer må koblingene være tette.
6. Åpne tankens utløpsventil. Prim pumpen slik det beskrives i avsnitt 4.4.

## 7.5 Hydraulikkfilter

Ta ut og inspiser hydraulikkfilterelementet ved hvert oljeskift. Elementet kan rengjøres og brukes igjen hvis det er i god stand. Et nytt element bør derimot installeres hvis det gamle elementet er skadet eller har blitt rengjort mer enn tre ganger. Sjekk elementet hvis pumpen virker merkbart dårligere. Se Figur 10 for et delediagram.



Figur 9, Detaljer, luftfilterglass



Figur 10, Detaljer, hydraulikkfilter



## 8.0 FEILSØKING

Kun kvalifiserte hydraulikkteknikere bør gjøre service på pumpen eller systemkomponentene. En systemfeil skyldes ikke nødvendigvis at pumpen svikter. For å bestemme årsaken til problemet må hele systemet inkluderes i enhver diagnostikk.

Følgende informasjon kun ment som en hjelp til å bestemme om det finnes et problem. For reparasjoner bes du kontakte ditt lokale, autoriserte Enerpac servicesenter.

Problem	Mulig årsak	Handling
Pumpen virker ikke.	Ingen luft fra forsyningen.	Sjekk luftforsyningen.
	Pumpens luftavstengingsventil er lukket.	Åpne pumpens luftavstengingsventil.
	Pumpens lufttrykkregulator er satt for lavt.	Sjekk trykkregulatoren.
	Pumpens luftfilter er skittent.	Skift filterelement.
	Pumpens luftmotor er slitt eller skadet.	Kontakt et autorisert Enerpac servicesenter.
	Pumpeelementer fastkilt.	Kontakt et autorisert Enerpac servicesenter.
Pumpen bygger ikke opp hydraulisk trykk, eller bygger mindre trykk enn ønskelig.	Lavt lufttrykk eller volum på luftforsyningen.	Sjekk luftforsyningen.
	Pumpens lufttrykkregulator er satt for lavt.	Sjekk trykkregulatoren.
	Pumpens luftfilter er skittent.	Skift filterelementt.
	Pumpens utløsningsventil (oljeretur til tank) er ikke helt lukket.	Lukk utløsningsventilen (oljeretur til tank)..
	Lav oljestand i tanken.	Sjekk oljestanden. Etterfyll olje.
	Pumpens hydraulikkfilter er skittent.	Rengjør eller skift hydraulikkfilterelementet.
	Oljelekkasje fra hydraulikkslanger, koblinger eller verktøy.	Skift ut deler som lekker.
	Pumpens utløsningsventilen (oljeretur til tank) lekker.	Skift ut utløsningsventilen (oljeretur til tank)..
	Pumpens luftmotor er slitt eller skadet.	Kontakt et autorisert Enerpac servicesenter.
	Innvendig lekkasje i pumpeelement og/eller luftmotor.	Kontakt et autorisert Enerpac servicesenter.
Rykkvis eller sviktende pumpeytelse.	Lavt lufttrykk eller volum på luftforsyningen.	Sjekk luftforsyningen.
	Pumpen er ikke primet og/eller luft i hydraulikklinjene.	Prim pumpen slik det beskrives i avsnitt 4.4.
	Skitten hydraulikkolje.	Skift hydraulikkolje. Bruk kun Enerpac HF-olje. Rengjør eller skift hydraulikkfilterelementet.
	Pumpeelementet er slitt eller skadet.	Kontakt et autorisert Enerpac servicesenter.
For mye fuktighet i pumpeutløpet.	For mye vann og/eller smøremiddel i forsynt luft.	Reduser luftfuktigheten. Installer en vannseparator. <b>Merk:</b> Pumpens komponenter er selvsmørende. Det er ikke behov for smurt luft.
	Pumpens luftfilterglass må dreneres.	Sjekk om det er vann i glasset. Drener etter behov.
	Pumpens luftfilter er skittent.	Skift filterelement.
	Innvendig lekkasje i pumpeelement og/eller luftmotor.	Kontakt et autorisert Enerpac servicesenter.

L2743 Rev. A 06/10

## 1.0 VIKTIGA MOTTAGNINGSPROCEDURER

Kontrollera att inga komponenter skadats under transport. Transportskador täcks inte av garantin. Meddela budet direkt om transportskador hittats. Budet ansvarar för alla reparations- och utbyteskostnader som uppkommit på grund av transportskador.

## 2.0 SÄKERHET

### 2.1 ALLMÄNNA HYDRAULISÄKERHETSÅTGÄRDER



Läs noggrant igenom alla instruktioner, varningar och försiktighetsåtgärder. Följ alla säkerhetsåtgärder för att undvika personskador eller skador på egendom under systemdrift. Enerpac kan inte hållas ansvariga för skada eller skador som uppkommit på grund av olämplig produktanvändning, brist på underhåll eller felaktig produkt- och/eller systemdrift. Kontakta Enerpac när osäkerhet uppstår gällande säkerhetsåtgärder och -drift. Om du inte fått utbildning inom hydraulisk högtryckssäkerhet, kan du höra med ditt distributions- eller servicecenter för en gratis Enerpac hydraulisk säkerhetskurs.

Att inte följa de följande försiktighetsåtgärderna och varningarna kan orsaka skador på utrustning och människor.

EN **FÖRSIKTIGHETSÅTGÄRD** används för att påvisa korrekta drifts- och underhållsprocedurer för att förhindra skador på utrustning eller annan egendom

EN **VARNING** indikerar en möjlig fara som kräver korrekta procedurer och rätt användning för att undvika personskador.

EN **RISK** visas bara när dina handlingar eller icke utförda handlingar kan orsaka allvarliga skador eller till och med dödsfall.



**VARNING:** Använd lämplig personlig skyddsutrustning när hydraulisk utrustning används.



Ställ aldrig in säkerhetsventilen (endast på pumpar utrustade med användarjusterbar säkerhetsventil) på ett högre tryck än det maximala nominella trycket för pumpen. Högre inställningar kan resultera i skada på utrustning och/eller personskada.



**VARNING:** Systemets driftstryck får inte överstiga det trycket på den komponent som har lägst max. tryck, i systemet. Installera tryckmätare i systemet för att övervaka driftstrycket. Det är så du kan se vad som händer i systemet.



**IAKTTA FÖRSIKTIGHET:** Undvik att skada den hydrauliska slangen. Undvik snäva böjningar och öglor vid hantering av de hydrauliska slangarna. Användning av böjda eller öglade slangar kan orsaka undertryck. Snäva böjningar och öglor kan skada slangen invändigt vilket orsakar för tidig utslitning.



Släpp inte tunga saker på slangen. En hård stöt kan orsaka invändiga skador på slangens vajerlingor. Att applicera tryck på en skadad slang kan göra att den går sönder.



**VIKTIGT:** Lyft inte den hydrauliska utrustningen med slangarna eller snabbkopplingarna. Använd bärhandtagen eller andra hjälpmedel för en säker transport.



**IAKTTA FÖRSIKTIGHET: Håll den hydrauliska utrustningen borta från brand och hetta.** För mycket hetta kan göra att packningarna och ventilerna skadas, vilket resulterar i vätskeläckor. Hetta skadar också slangarna och packningarna. Utsätt inte utrustningen för temperaturer på 65 °C (150 °F) eller högre för en optimal prestanda. Skydda slangar och cylindrar från svetsstänk.



**FARA:** Hantera inte slangar med under tryck. Olja som tar sig ut under tryck kan penetrera huden och orsaka allvarliga skador. Uppsök läkare direkt om oljan sprutas in under huden.



**VIKTIGT:** Hydraulisk utrustning får bara underhållas av en behörig hydraulisk tekniker. Kontakta ett behörigt ENERPAC servicecenter i ditt område vid behov av reparationer. Använd bara ENERPAC-olja för att skydda din garanti.


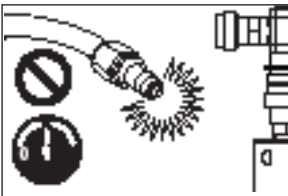


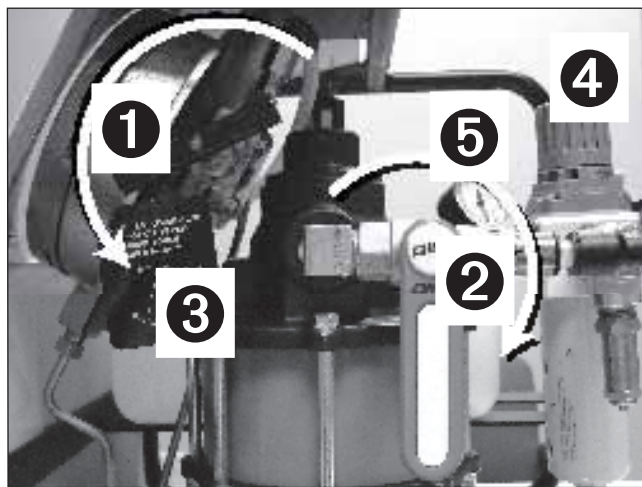
**VARNING:** Byt direkt ut utslitna eller skadade delar med äkta ENERPAC-delar. Standarddelar kan gå sönder vilket orsakar personskador och egendomsskador. ENERPAC-delar är tillverkade för att passa perfekt och motstå höga laster.

## 2.2 Säkerhetsåtgärder för ATP-1500



**Varning!** Underlåtenhet att följa nedanstående säkerhetsföreskrifter kan resultera i allvarlig personskada eller dödsfall!

- Bär alltid skyddsglasögon, skyddshandskar och skyddskängor när du använder pumpen.
- Hydraulisk högtrycksutrustning kan vara väldigt farlig vid felanvändning. Håll dig borta från oljeläckage vid högt tryck. Vätska som sprutar ut ur högtrycksutrustning kan tränga igenom huden och orsaka blodförgiftning. Om det skulle inträffa, uppsök GENAST läkare.
- Försök aldrig avlägsna en trycksatt hydraulisk koppling.
- Försök aldrig täta läckor medan systemet är trycksatt. Se till att systemets manometer visar (0) bar/psi innan reparationer utförs.
- Tryck aldrig på baksidan av en fränkopplad hankoppling. Allvarliga personskador kan uppstå om kopplingen går sönder när den utsätts för tryck.
- Iakttag försiktighet när ett system trycksätts. Trycket kan stiga snabbare än förväntat. Observera manometern kontinuerligt under trycksättning. Var beredd att när som helst kunna stoppa trycksättningen.
- Innan användning, se till att snabbkopplingarna är ordentligt anslutna genom att dra i dem.
- Låt bara utbildad och erfaren personal hantera pumpen. Var särskilt noga med att undvika oavsiktlig igångsättning av pumpen.
- Lämna aldrig en trycksatt pump oövervakad. Om du måste lämna området, stäng luftavstängningsventilen och se till att avlastningsventilen på pumpen är helt öppen. Vrid lufttrycksreglaget moturs tills det står noll (0) bar/psi på manometern.
- Överskrid aldrig rekommenderat arbetstryck för hydrauliska slangar, verktyg eller pumpar. Maximalt tillåtet arbetstryck (hydrauliskt) för ATP-1500-pumpen är 1500 bar (21 755 psi).



Nyckel:

① ÖPPEN

② STÄNGD

③ Oljeventil

④ Lufttrycksreglage

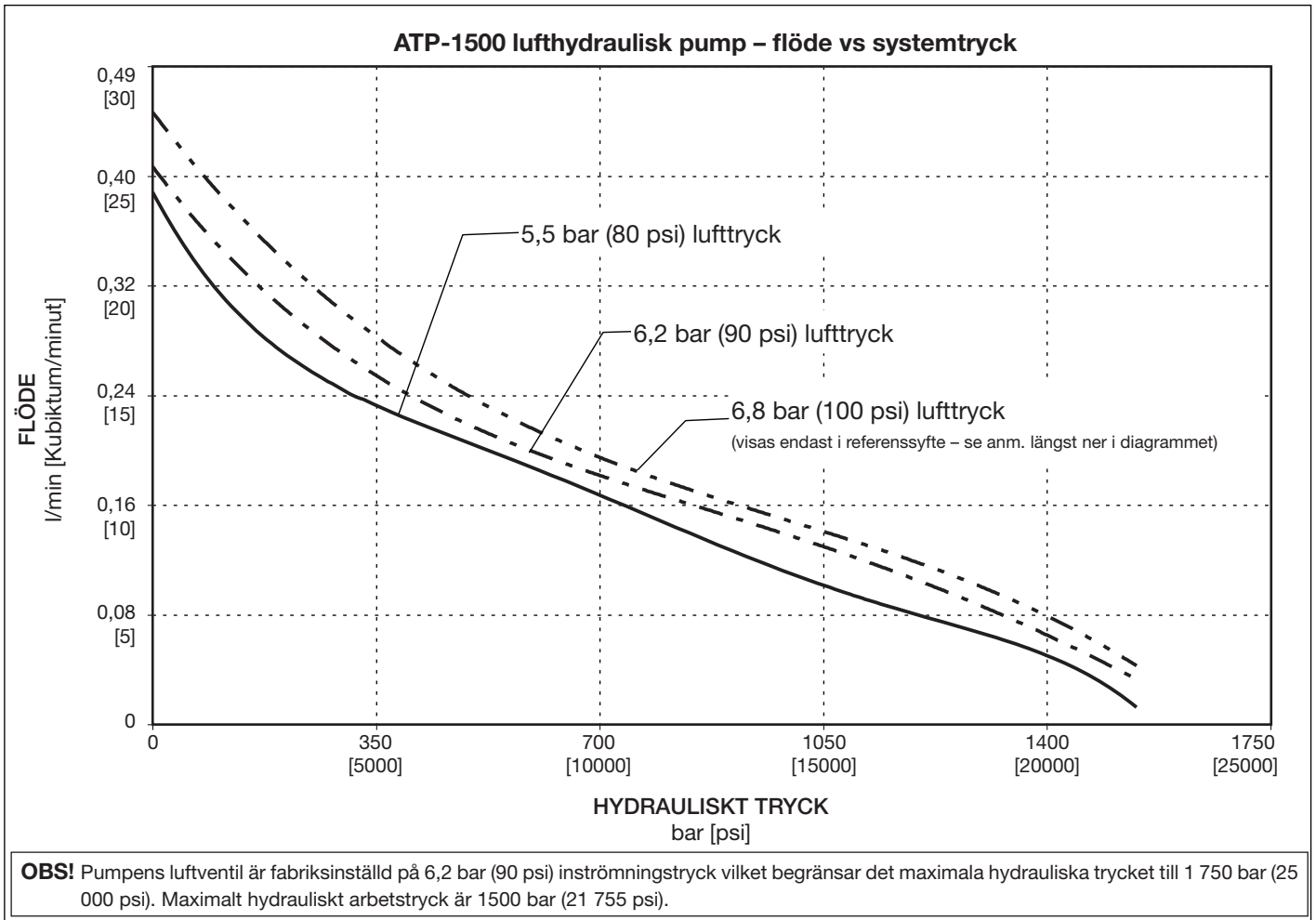
⑤ Luftavstängningsventil

Figur 1, Innan lufttillförsel ansluts.

- Innan lufttillförsel ansluts. Se till att luftavstängningsventilen (på-av) är stängd (d.v.s. står i vertikalt läge) och att oljeventilen är öppen. Se figur 1.
- Kontrollera lufttillförseln genom att titta på manometern. Om tryck visas, vrid lufttrycksreglaget moturs tills mätaren visar noll (0) bar/psi.
- Trycksätt alltid pumpen från ett lufttryck på noll (0) bar/psi och fortsätt uppåt. Vrid SAKTA på lufttrycksreglaget för att förhindra att trycket ökar plötsligt och oväntat.
- När önskat tryck har uppnåtts, stäng alltid luftavstängningsventilen och vrid lufttrycksreglaget moturs tills noll (0) bar/psi visas på manometern.
- Minska alltid trycket innan systemet lämnas oövervakat.

### 3.0 SPECIFIKATIONER

#### 3.1 Prestanda

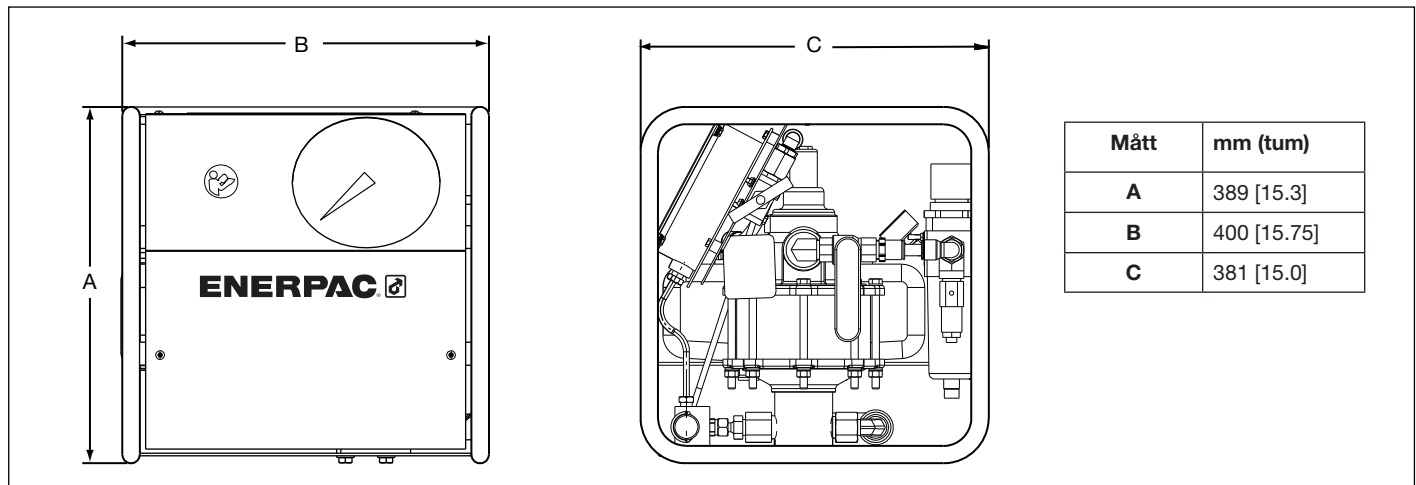


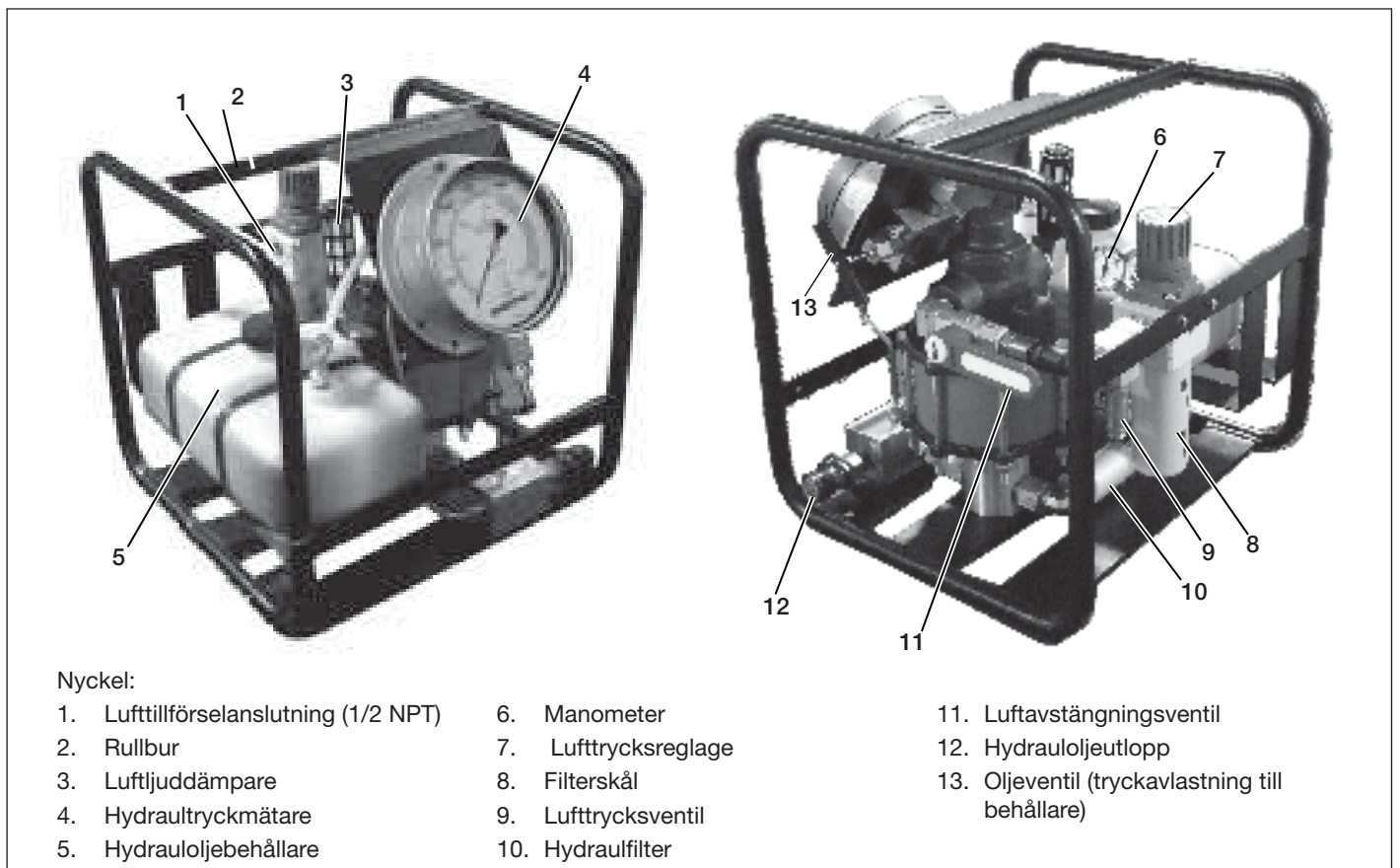
#### 3.2 Tekniska data

Temperaturområde	Oljeviskositetsintervall	Hydrauloljetyp (rekommenderad)	Tätningmaterial	Maximalt hydrauliskt tryck (arbets-)	Ljudnivå	Luftförbrukning (typisk)*	Vikt (inklusive olja)
-29 to +50°C [-20 to +140°F]	[15 - 25 C.S.T.] 150 -165 S.U.S.	Enerpac HF	Buna and Viton.	1500 bar [21,755 psi]	70 dBA Max.	113 L/Min [21 SCFM]	32 Kg [54 lbs.]

\*Faktisk luftförbrukning varierar beroende på tillämpningen. Se avsnitt 4.3 för fler detaljer.

#### 3.3 Ytterdimensioner





Figur 2, Pumpens egenskaper och delar (Obs! spärrar och skydd enbart borttagna i illustrativt syfte.)

## 4.0 PUMPFÖRBEREDELSE

### 4.1 Oljebehållare

Kontrollera oljenivån i pumpen före igångsättning. Innan du kontrollerar oljenivån:

- Se till att luftavstängningsventilen är STÄNGD och att oljeventilen är ÖPPEN. Se figur 1.
- Se till att både hydraultryckmätaren och manometern visar noll (0) bar/psi.

Behållaren är FULL när oljenivån når högst upp, se figur 3. Oljekapaciteten är cirka 3,8 liter (1 US gallon). Använd Enerpacs olja av HF-typ.

**VIKTIGT!** Fyll på olja endast när alla systemkomponenter har dragits tillbaka, annars kommer systemet att innehålla mer olja än behållaren kan rymma.

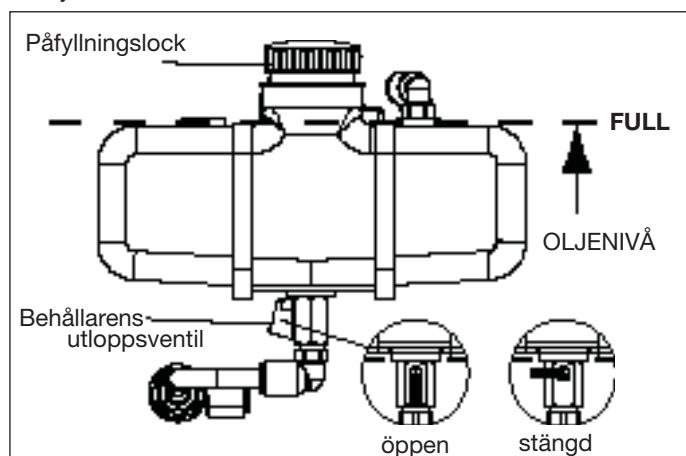


Figure 3, Hydraulic Oil Reservoir

### 4.2 Luft- och hydraulanslutningar



**WARNING!** Innan lufttillförsel ansluts, se till att luftavstängningsventilen (på-av) är stängd (d.v.s. står i vertikalt läge) och att oljeventilen är öppen. Se figur 1. Se även till att luftrycksmätaren är helt avstängd så att manometern visar noll (0) bar.

Upprätta lämpliga anslutningar:

- Pumpens luftintag är placerat på luftrycksreglaget. Det är en 1/2" NPT-anslutning av standardtyp.
- Pumpens hydrauloljeutlopp är en 1/4" BSPP-anslutning av hontyp. På pumpar som används till skruvverktyg brukar det finnas en snabbkoppling av hontyp i BSPP-anslutningen.

### 4.3 Luftkrav

Pumpens luftförbrukning ligger på cirka 113 l/min (21 SCFM) fri luft vid ett oljetopstryck på 6,8 bar (1 000 psi). Vid lägre luftryck och högre hydraultryck kommer luftförbrukningen att minska i proportion till de flöden som indikeras.

**VIKTIGT!** Det statiska trycket på lufttillförseln får inte överstiga 6,2 bar (90 psi).



**WARNING!** Avlastningsventilen är fabriksinställd till cirka 6,2 bar (90 psi). För att förhindra personsador och skada på utrustningen, försök inte ändra inställningarna för avlastningsventilen. Use only dry and filtered compressed air.

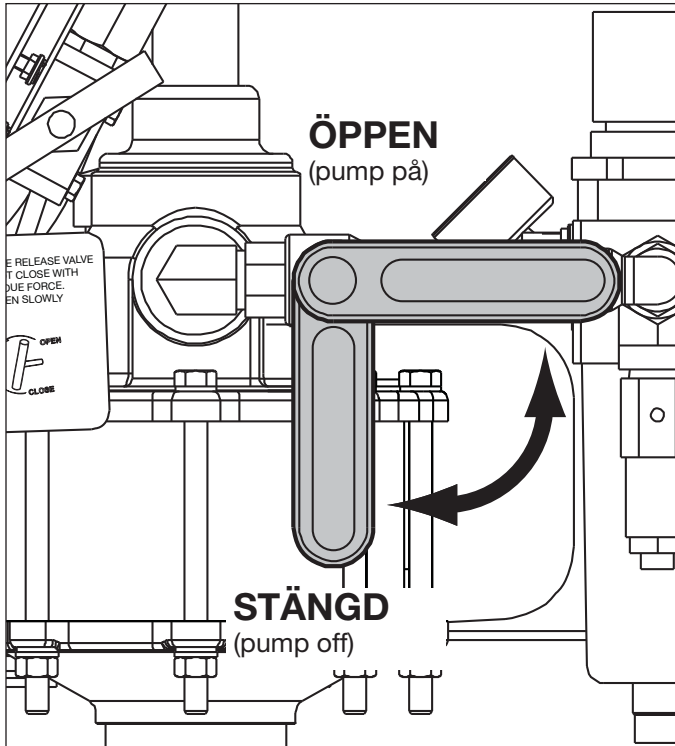
Använd bara torr och filtrerad tryckluft. Användning av vattenavskiljare rekommenderas starkt.

Pumpens inre delar är självsörjande. INGEN smörjning krävs.

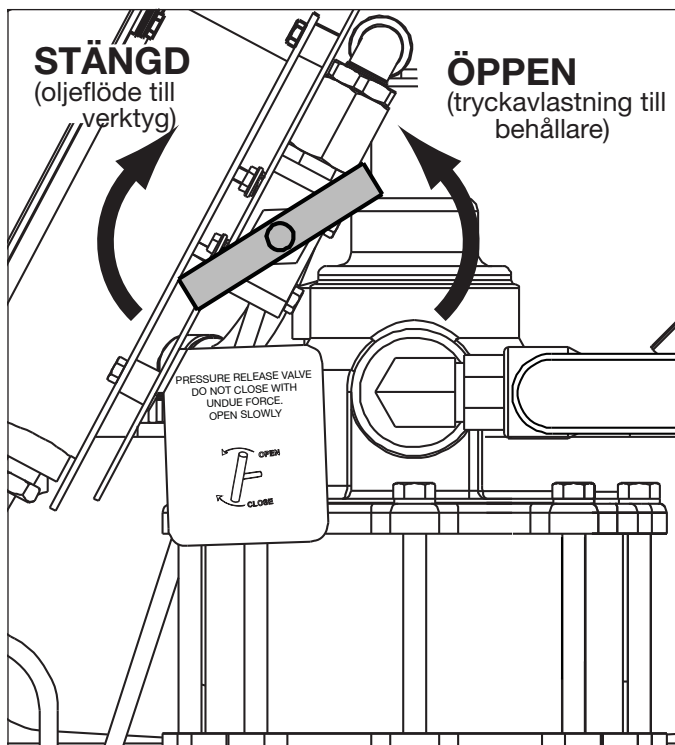
#### 4.4 akuering (avluffning)

**VIKTIGT!** Nya pumpar MÅSTE evakueras INNAN första användning. Utför evakuering enligt följande steg. Se figur 4 till och med 7.

1. Se till att hydraulbehållaren är fylld med rätt sorts olja och att utloppsventilen är öppen. Se avsnitt 4.1.
2. Se till att luftavstängningsventilen är STÄNGD och att oljeventilen är öppen.
3. Lossa behållarens påfyllningslock ungefär ett halvt varv för att tillhandahålla ventilerung. Ventilerung krävs för fullgod drift.

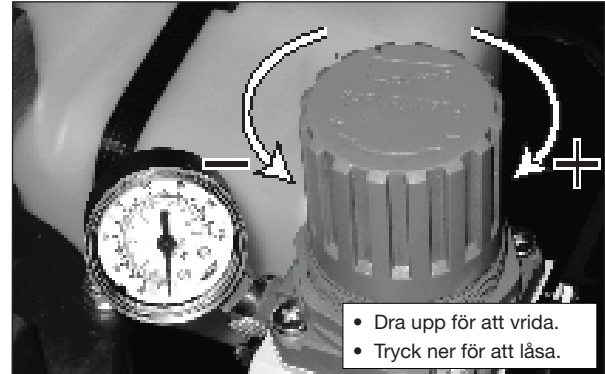


Figur 4, Luftavstängningsventil



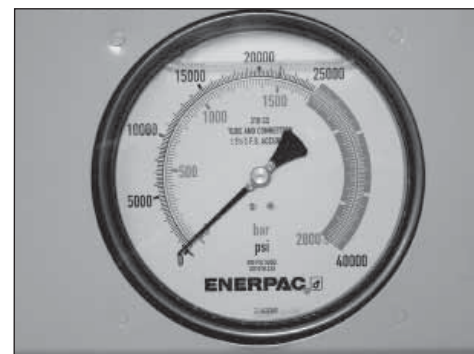
Figur 5, Oljeventil

4. Anslut lufttillförselslangen till pumpens luftintagsgång.
5. Se till att luftavstängningsventilen är STÄNGD, starta luftkällan och kontrollera manometern. Om tryck visas, vrid lufttrycksreglaget moturs tills mätaren visar noll (0) bar/psi.



Figur 6, Manometer och luftrycksreglage

6. Anslut ena änden av en 1 m (3 fot) lång hydraulslang till pumpens oljeavloppsutgång.
7. Sätt in en öppen snabbkopplingsanslutning i andra änden av slangen.
8. Skruva av behållarens påfyllningslock. Placera slangändan med den öppna anslutningen inuti behållaren. Detta låter oljan återvända under evakueringen.
9. Stäng oljeventilen. Vrid luftavstängningsventilen till ÖPPET läge.
10. Använd luftrycksreglaget för att SAKTA öka lufttrycket från 0 bar till 0,68-1,0 bar (10-15 psi) för att starta pumpen.
11. Säkerställ att oljan återvänder till behållaren genom slangen. Öka lufttrycket till 2,75 bar (40 psi) tills all luft är renad från systemet (inga synliga bubblor i den återvändande oljan).
12. Vrid tillbaka luftavstängningsventilen till STÄNGT läge. Pumpen stannar.
13. Vrid luftrycksreglaget moturs tills det står noll (0) bar/psi på manometern.
14. Öppna oljeventilen för att lätta på eventuellt kvarvarande hydraultryck. Kontrollera att hydraultryckmätaren visar noll (0) bar/psi.



Figur 7, Hydraultryckmätare

15. Avlägsna den 1 m (3 fot) långa oljeslangen från behållaren. Sätt tillbaka behållarens påfyllningslock.
16. Koppla från oljeslangen från pumpens oljeavloppsutgång.

## 5.0 PUMPDRIFT

Hantera pumpen enligt beskrivningen i avsnitt 5.1 till och med 5.4. Se figur 4 till och med 7.


**VIKTIGT!** Nya pumpar måste evakueras innan första användning. Se avsnitt 4.4

### 5.1 Innan pumpen trycksätts

1. Se till att luftavstängningsventilen är STÄNGD och att oljeventilen är öppen.
2. Förbered pumpen för drift. Kontrollera oljenivån och anslut erforderade slangar. Se avsnitt 4.1, 4.2 och 4.3.
3. Se till att luftavstängningsventilen är STÄNGD, starta luftkällan och kontrollera manometern. Om tryck visas, vrid luftrycksreglaget moturs tills mätaren visar noll (0) bar/psi.
4. Lossa behållarens påfyllningslock ungefär ett halvt varv för att tillhandahålla ventilering. **Ventilering krävs för fullgod drift.**

### 5.2 Trycksättning av pumpen

1. Stäng oljeventilen.  
**VIKTIGT!** Stäng oljeventilen för hand. Verktyg kan orsaka skada på ventilen och/eller ventsätet.
2. Vrid luftavstängningsventilen till ÖPPET läge.
3. Öka luftrycket SAKTA (vrid luftrycksreglaget medurs) tills pumpen kör igång och hydrauliskt tryck börjar byggas upp.

 **WARNING!** Observera hydraultryckmätaren kontinuerligt när pumpen körs. Trycket kan stiga snabbare än förväntat. Var beredd att snabbt stänga luftavstängningsventilen när önskat hydraultryck visas.

**VIKTIGT!** Hur lång tid det tar att trycksätta hydraulkretsen varierar beroende på antal och typer av verktyg som är anslutna, tillgänglig luftvolym, längd på hydraulslangen och andra faktorer.

4. När önskat tryck visas på hydraultryckmätaren, sluta vrida på luftrycksreglaget och flytta luftavstängningsventilen till STÄNGT läge. Pumpen stannar.
5. Vrid luftrycksreglaget moturs tills manometern visar noll (0) bar/psi.

### 5.3 Tryckminskning av pumpen

1. Se till att luftavstängningsventilen står i STÄNGT läge.
2. Öppna SAKTA oljeventilen för att lätta på hydraultrycket. Kontrollera att hydraultryckmätaren visar noll (0) bar/psi.

### 5.4 Avstängning och fränkoppling av pumpen

1. Se till att luftavstängningsventilen står i STÄNGT läge. Vrid luftrycksreglaget moturs tills manometern visar noll (0) bar/psi.
2. Öppna SAKTA oljeventilen (om den är stängd) för att avlägsna eventuellt kvarvarande hydraultryck. Kontrollera att hydraultryckmätaren visar noll (0) bar/psi.
3. Koppla ifrån lufttillförselslangen från pumpens luftintagsingång.
4. Koppla ifrån oljetillförselslangen från pumpens oljeutloppsutgång.

5. Skruva på behållarens påfyllningslock helt och hållet.  
**VIKTIGT!** Behållarens påfyllningslock måste vara helt stängt när pumpen inte används för att förhindra att smuts tränger in i systemet.
6. Förvara pumpen enligt beskrivningen i avsnitt 6.0.

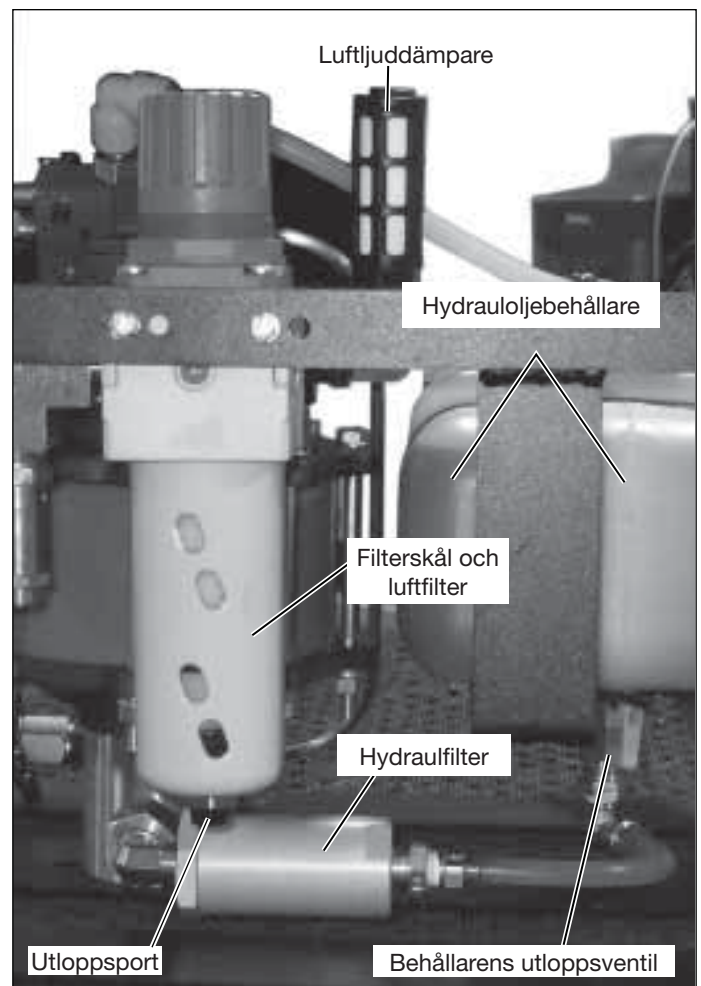
## 6.0 FÖRVARING

- Se till att oljeventilen står i ÖPPET läge.
- Kontrollera att behållarens påfyllningslock är helt stängt.
- Avlägsna filterskålen. Töm ut vattnet och avlägsna eventuellt skräp. Sätt tillbaka skålen efter tömning.
- Förvara pumpen i upprätt läge på en ren och torr plats.
- Placera dammskydd på hydrauloljeutgången och luftintaget.
- Om pumpen ska förvaras över en längre tid, applicera lämpligt rostskyddsmedel på alla exponerade, opläterade metalldelar.

## 7.0 UNDERHÅLL

Se figur 8 för placering av pumpens underhållsdelar.

**VIKTIGT!** Vidta alla medel för att skydda pump och oljeslangar mot smuts och föroreningar. Främmande material i systemet kan resultera i haveri eller skada på pumpens delar. Sådana skador täcks inte av garantin.



Figur 8, Pumpens underhållsdelar



**WARNING!** Innan underhållsarbete eller reparationer påbörjas, se till att oljeventilen är öppen och att luftavstängningsventilen är stängd. Koppla alltid loss luft- och hydraulslangarna från pumpen. Kontrollera att mätarna visar noll (0) bar/psi.

## 7.1 Luftfilter

Byt ut luftfiltret om det verkar smutsigt eller om luftflödet minskar betydligt. Se figur 9 för tabell över delar.

## 7.2 terskålens utloppsport

Filterskålen tömmer sig automatiskt när vattennivån stiger till cirka 1/3. Skålen måste ha uppnått ett tryck på minst 1,5 bar (22 psi) innan automatisk tömning inträffar. Om så önskas kan en avloppsslang med en 1/8 tum BSPA-anslutning (medföljer ej) anslutas till skålens utloppsport.

Byt ut hela skålen om den automatiska tömningsfunktionen slutar fungera. Se figur 9 för tabell över delar.

**VIKTIGT!** För att förhindra skador på autotömningsfunktionen, lossa inte på muttern till utloppsporten. Skålen har ingen manuell utloppsventil. Om manuell tömning önskas, stryp lufttillförseln och töm eventuellt kvarvarande vatten genom att avlägsna skålen.

## 7.3 Luftljuddämpare

Kontrollera luftljuddämparen regelbundet. Avlägsna smuts- och oljepartiklar med en trasa. Byt ut ljuddämparen om den täpps till eller om pump ljudet ökar drastiskt. Se figur 8 för placering.

## 7.4 Oljebyte

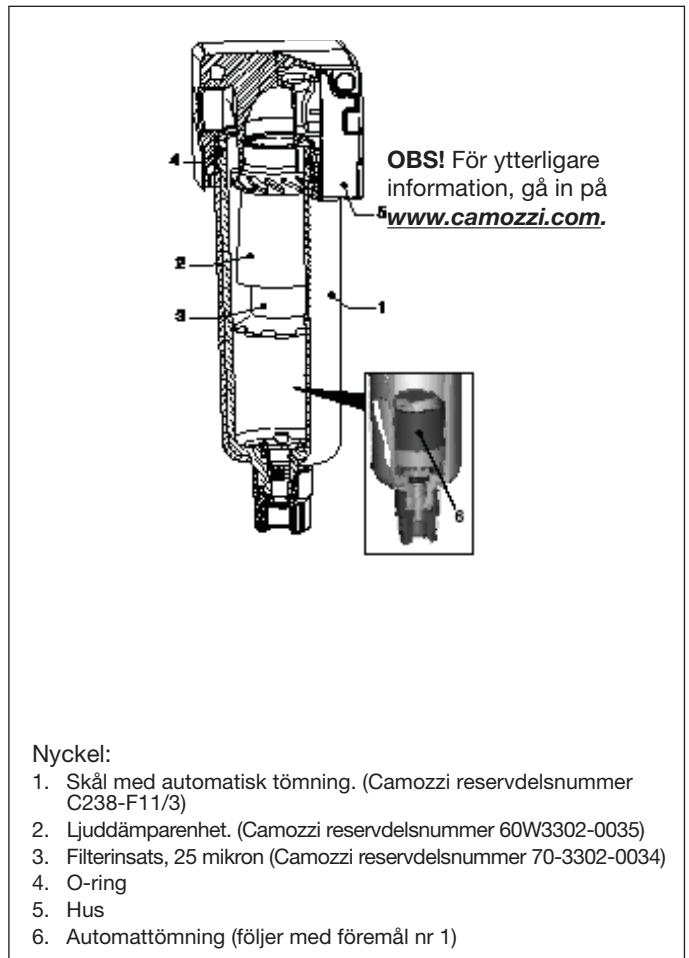
Enerpac HF-olja har en klar blå färg. Kontrollera regelbundet oljans tillstånd och leta efter föroreningar genom att jämföra oljan i pumpen med ny Enerpac-olja. Ta som regel att helt tappa ur och rengöra behållaren var 250:e körtimme, eller oftare om utrustningen använts i smutsiga miljöer.

Byt ut oljan enligt följande steg. Se figur 8.

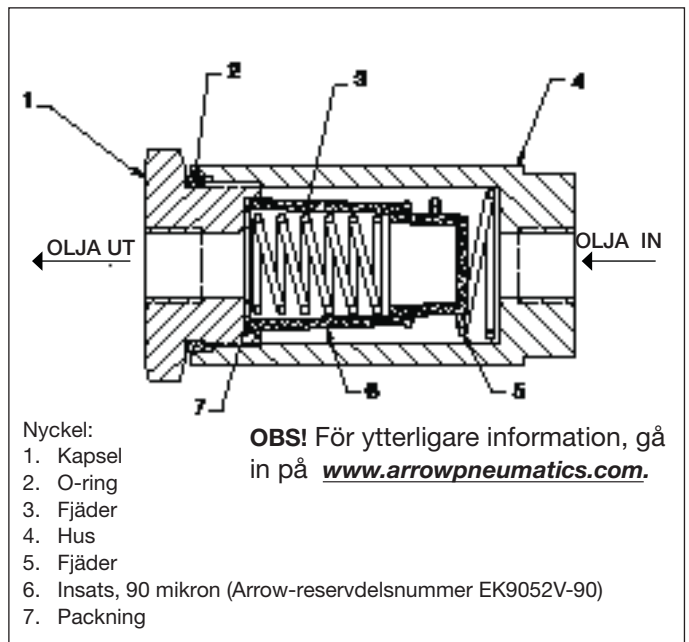
1. Stäng behållarens utloppsventil
2. Koppla ifrån oljeslangen vid hydraulfiltret. Placera ett lämpligt kärl under slangens öppna ände.
3. Öppna behållarens utloppsventil. Låt oljan rinna ner i kärlet. Undanskaffa förbrukad olja i enlighet med tillämpliga regler och lagar.
4. Ta isär hydraulfilterenheten. Rengör och sätt tillbaka (eller byt ut) hydraulfilterenheten. Se avsnitt 7.5 för fler detaljer.
5. Återanslut oljeslangen till hydraulfiltret. För att förhindra att luft kommer in eller sipprar ut, se till att anslutningarna är täta.
6. Öppna behållarens utloppsventil. Evakuera pumpen enligt beskrivningen i avsnitt 4.4.

## 7.5 Hydraulfilter

Avlägsna och inspektera hydraulfiltret vid varje oljebyte. Filtret kan göras rent och användas igen om det är i gott skick. Däremot bör ett nytt filter sättas i om det gamla är skadat eller har rengjorts fler än tre gånger. Kontrollera filtret om pumpkvaliteten försämras märkbart. Se figur 10 för tabell över delar.



Figur 9, Detaljer för luftfilterskål



Figur 10, Detaljer för hydraulfilter



## 8.0 FELSÖKNING

Endast kvalificerade hydraultekniker ska serva pumpen eller systemkomponenterna. Ett systemfel behöver inte betyda att det är fel på pumpen. För att fastställa orsaken till problemet måste hela systemet beaktas i alla diagnostikprocedurer.

Följande felsökningstabell är endast avsedd att användas som hjälp för att fastställa om problem föreligger. För reparationservice kontaktar du auktoriserat Enerpac-servicecenter.

Problem	Trolig orsak	Åtgärd
Pumpen går inte.	Inget lufttryck vid källan.	Kontrollera luftkällan.
	Pumpens avstängningsventil är stängd.	Öppna pumpens luftavstängningsventil.
	Pumpens manometer är för lågt inställd.	Kontrollera tryckreglagets inställningar.
	Luftfiltret är smutsigt.	Byt ut luftfilterinsatsen.
	Luftmotorn är utnött eller skadad.	Kontakta auktoriserat Enerpac-servicecenter.
	Pumpelementet är igensatt.	Kontakta auktoriserat Enerpac-servicecenter.
Pumpen misslyckas med att skapa hydraultryck eller skapar lägre tryck än önskat.	Lågt lufttryck eller -volym vid källan.	Kontrollera luftkällan.
	Pumpens manometer är för lågt inställd.	Kontrollera reglagets inställningar.
	Luftfiltret är smutsigt.	Byt ut luftfilterinsatsen.
	Oljeventilen är helt eller delvis öppen.	Stäng oljeventilen.
	Låg oljenivå i behållaren.	Kontrollera oljenivån. Fyll på olja enligt behov.
	Hydraulfiltret är smutsigt.	Rengör eller byt ut hydraulfiltinsatsen.
	Oljeläckage vid hydraulslang, -anslutning eller -verktyg.	Byt ut läckande föremål enligt behov.
	Oljeventilen läcker.	Byt ut oljeventilen.
	Luftmotorn är utnött eller skadad.	Kontakta auktoriserat Enerpac-servicecenter.
	Intern läcka i pumpen och/eller luftmotorn.	Kontakta auktoriserat Enerpac-servicecenter.
Ryckande eller felaktig drift.	Lågt lufttryck eller -volym vid källan.	Kontrollera luftkällan.
	Pumpen är inte evakuerad och/eller det finns luft i hydraulslangarna.	Evakuera pumpen enligt beskrivningen i avsnitt 4.4.
	Hydrauloljan är smutsig.	Byt ut hydrauloljan. Använd bara Enerpac HF-olja. Rengör eller byt ut hydraulfiltinsatsen.
	Pumpelement utslitet eller skadat.	CKontakta auktoriserat Enerpac-servicecenter.
För mycket fukt i utblåsningen.	För mycket vatten och/eller smörjmedel i tillförselluften.	Reducera fukten i luften. Installera vattenavskiljare. <b>OBS!</b> Pumpens delar är självmörjande. Ingen smörjning krävs.
	Luftfilterskålen behöver tömmas.	Titta efter vatten i skålen. Töm vid behov.
	Luftfiltret är smutsigt.	Byt ut luftfilterinsatsen.
	Internal leakage in pump element and/or air motor.	Kontakta auktoriserat Enerpac-servicecenter.

L2743 Rev. A 06/10

## 1.0 重要收货说明

检查所有零件是否存在运输损伤。运输过程中的损伤不在质保范围。如发现运输过程中的损伤，请立即通知承运商，其有责任承担由运输损坏造成的修理及更换费用。

## 2.0 安全

### 2.1 一般液压安全预防措施



阅读所有说明书，警告及注意事项。操作时，遵守一切安全规则，避免发生人身伤害及财产损失。如果用户由于非安全生产，缺乏正常维护，操作或使用不当而造成的人身伤害及财产损失，ENERPAC不负任何责任。如对安全防范及措施有任何疑问，请和ENERPAC联系。如果您在高压液压方面从未接受过培训，请联系您本地区的分销商或服务中心进行免费的ENERPAC液压安全培训课程。

不遵守下列警示及防范条例，将会造成设备损坏及人身伤害。

注意-用来说明正确的操作、维护程序以及如何避免伤害或损坏设备及其他财产。

警告-说明一种潜在的危險，要求有正确的程序和习惯以避免人身伤害。

危險-仅是指您的某个动作（或缺乏某个动作）可能导致严重的伤害甚至死亡事故。



警告：当操作高压液压系统时应配备正确的劳动保护装备。



设置泄压阀（溢流阀）压力时请勿高于泵的最大额定压力（仅对于配备了用户可调节泄压阀（溢流阀）的泵）。设定值过高可能导致设备损坏和/或人身伤害。



警告：系统的最大工作压力决不能超过系统中最低压力等级原件的最大工作压力。安装压力表在系统中以检测系统压力。压力表是您观察液压系统的窗口。



注意：避免损坏软管。在排放软管时应避免过度弯曲和绞结软管。使用过度弯曲或绞结的软管将会产生极大的背压。过度弯曲和绞结软管将损坏软管内部结构，从而导致油管过早失效。



避免：将重物砸压在油管上。剧烈的冲击会对油管内部钢丝编织产生损害。给有损伤的油管加压会导致油管爆裂。



重要：严禁提拉软管或旋转接头来提起液压设备。应使用搬运手柄或其他安全方式。



注意：使液压设备远离明火或过热源。过热会软化衬垫和密封，导致油液泄漏。热量也会弱化软管材料和包装。为了达到最佳工作状态，不要让设备处于65°C或更高温度中。保护软管和油缸免受焊接火花的喷溅。



危险：不要用手触摸打压状态的软管。飞溅出的压力油能射穿皮肤，导致严重的伤害。如有压力油溅到皮肤上，请立即去看医生。



重要：液压设备必须由有资质的液压技术人员维护。如需修理维护，请与您区域内的ENERPAC授权服务中心联系。请使用ENERPAC液压油，以保护ENERPAC对您设备的质量保证。



警告：及时用正牌的ENERPAC零件替换已磨损或已损坏的零件。普通级别的零件会破裂，导致人身伤害和财产损失。ENERPAC零部件被设计来承受高压载荷。

## 2.2 ATP-1500 Safety Precautions



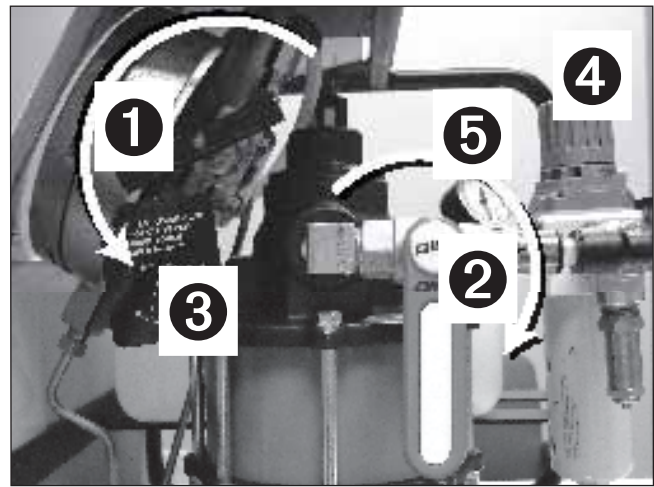
警告：如果没有遵守以下预防措施，可能会导致严重的人身伤害或死亡！

- 操作泵时，请务必穿戴护眼装置、手套和靴子。
- 如果使用方法不正确，高压液压设备可能极其危险。远离处于高压状态下的漏油处。从高压设备漏出的液体具有足以穿透皮肤的力量，从而导致血液中毒。如果发生这种情况，请立即就医。

- 切勿尝试在系统处于加压状态下断开液压接头的连接。
- 切勿尝试在系统处于加压状态下修理泄漏处。在进行任何维修前，请确定系统压力计的读数显示零 [0] bar/psi。
- 切勿在断开连接的公接头背面施加压力。如果接头在压力下发生故障，可能会导致严重的人身伤害和死亡。



- 在对系统加压时应小心谨慎。压力可能会比预计的上升速度要快。在加压过程中持续监控压力计。做好立即停止加压的准备。
- 操作前，拉一拉快速接头，确保它们连接稳固。
- 仅允许受过培训、经验丰富的人员来操作泵。请格外小心，避免泵意外启动。
- 切勿超过液压软管、工具或泵的安全工作压力。ATP-1500 泵允许的最大工作压力（液压）为 1500 bar (21,755 psi)。
- 切勿使加压后的泵无人看护。如果确实需要离开，请关闭空气截止阀，并确保泵上的卸荷（回油）阀保持完全打开状态。逆时针旋转气压调节器旋钮，直至气压表读数变为零 [0] bar/psi。



主要部件

① 打开

② 关闭

③ 卸荷阀

④ 气压调节器

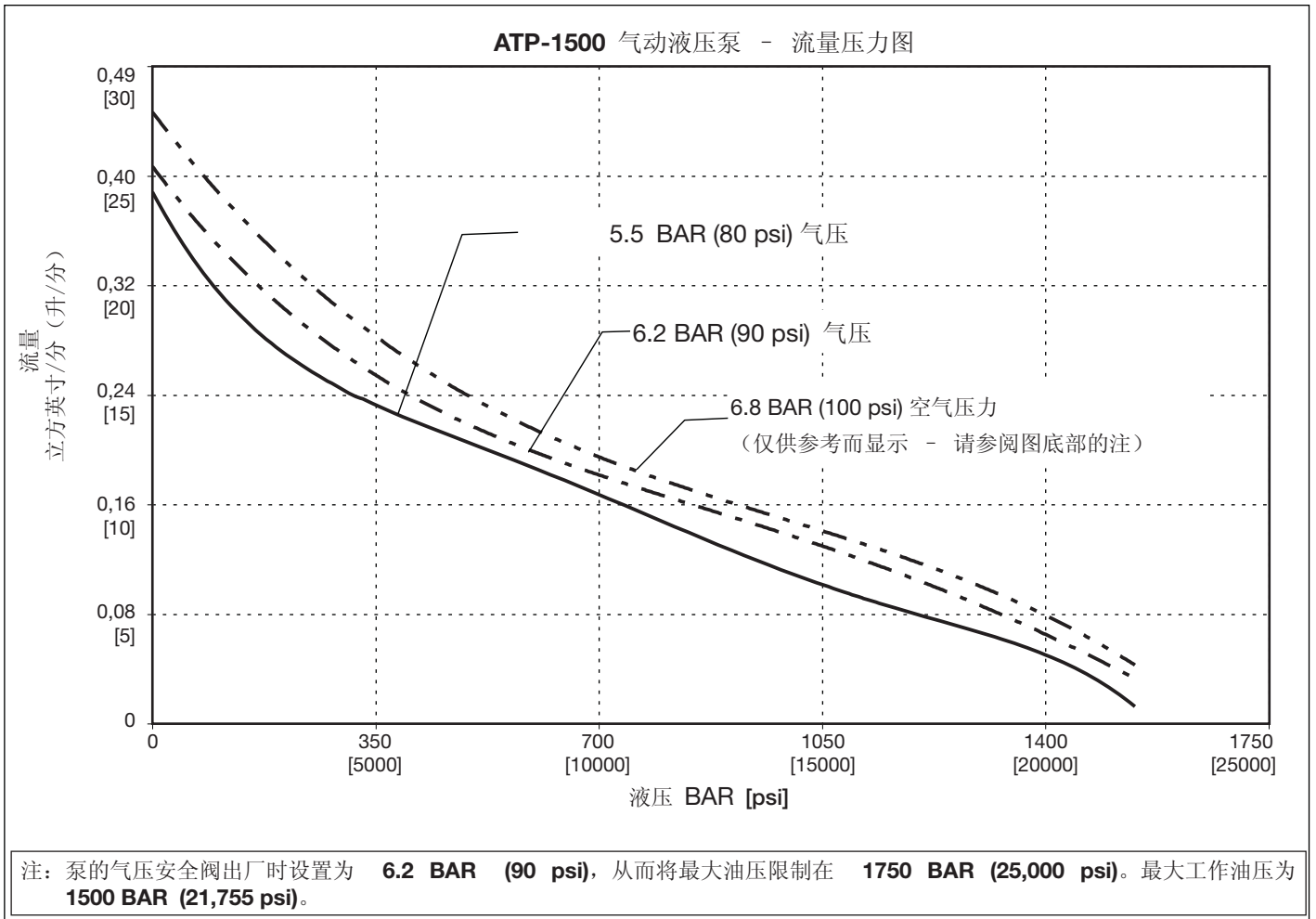
⑤ 空气截止阀

图 1：连接气源前

- 连接气源前：确保空气截止（开-关）阀处于关闭状态（即手柄处于垂直位置），并且卸荷阀处于打开状态。见图 1。
- 连接气源后检查空气压力计。如果显示有任何压力，请逆时针旋转气压调节器旋钮，直至压力计读数变为零 [0] bar/psi。
- 请务必从零 [0] bar/psi 气压开始对泵加压，逐渐增加压力。请缓慢地转动气压调节器旋钮，以防油压意外地突然增加。
- 获得所需的油压后，请务必关闭空气切断阀，并逆时针旋转气压调节器旋钮，直至气压表读数变为零 [0] bar/psi。
- 在系统进入无人看护状态前，请务必将其减压。

### 3.0 规格

#### 3.1 性能参数

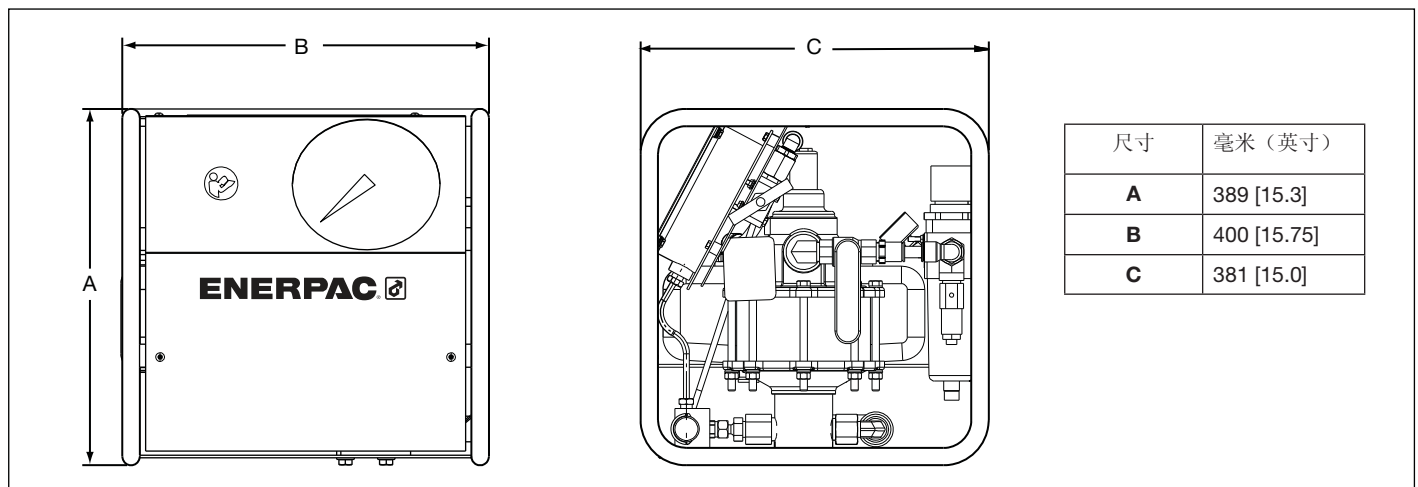


#### 3.2 技术参数

温度范围	油液粘度范围	液压油类型 (建议)	密封材料	最大油压 (工作)	噪音等级	耗气量 (标准) *	重量 (含油)
-29 to +50°C [-20 to +140°F]	[15 - 25 C.S.T.] 150 - 165 S.U.S.	Enerpac HF	丁腈橡胶和 氟橡胶。	1500 bar [21,755 psi]	70 dBA Max.	113 L/Min [21 SCFM]	332 Kg [54 lbs.]

\*实际耗气量因具体应用而异。请参阅第 4.3 节, 了解更多信息。

#### 3.3 外部尺寸



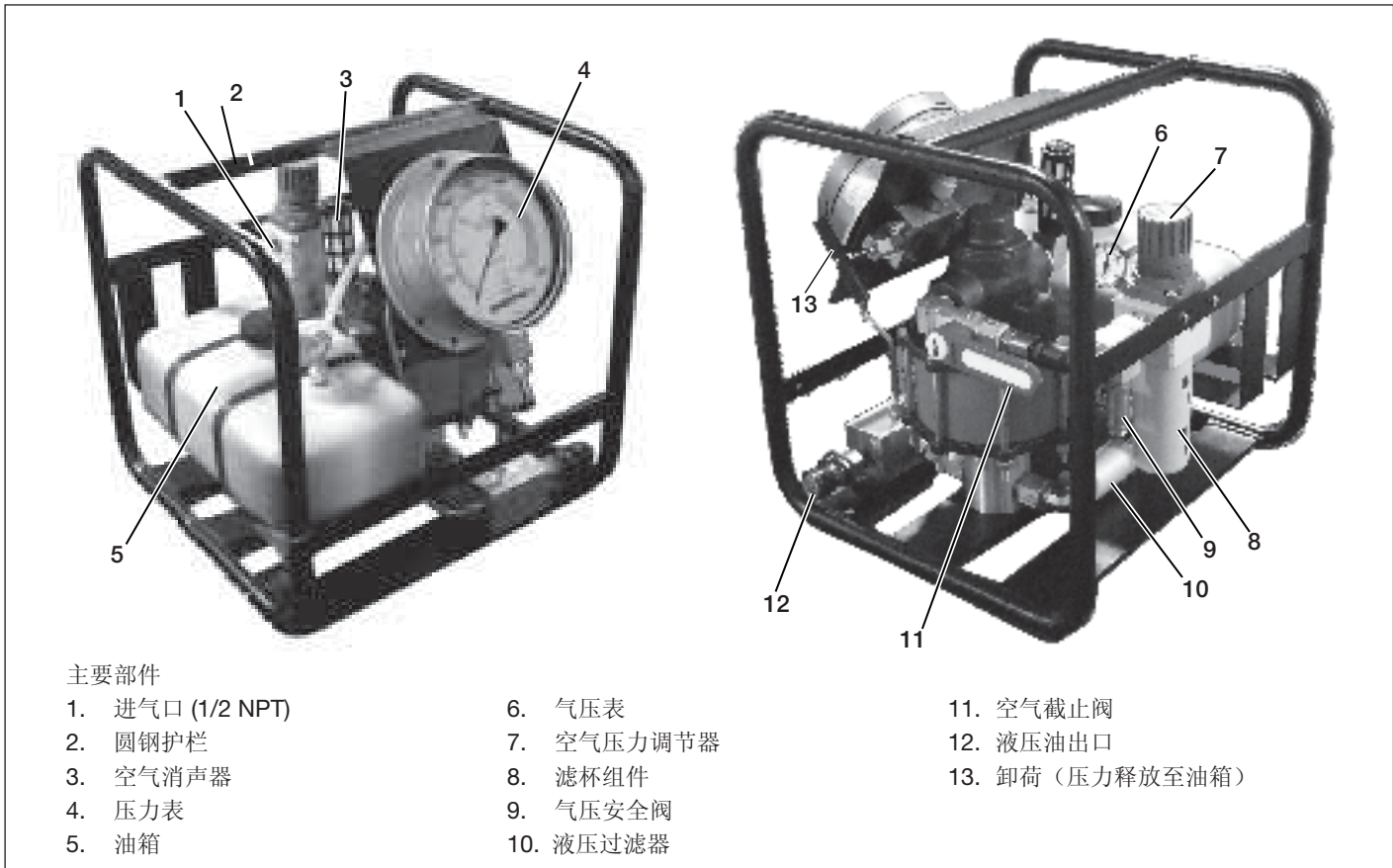


图 2: 泵的外形和组件 (注: 将护罩和盖板卸下完全是出于图解目的。)

#### 4.0 泵设置

##### 4.1 油箱

启动前检查泵油位。检查油位前:

- 确保空气截止阀处于关闭状态, 并且卸荷阀处于打开状态。见图 1。
- 确保泵的压力表和气压表的读数均为零 [0] bar/psi。

如图 3 所示, 当油位到达油箱顶部时, 即表示油箱已满。油容量约为 3.8 升 (1 美国加仑)。请使用 ENERPAC 的 HF 类型油。

重要事项: 只能在所有系统组件都缩回时加油, 否则, 系统中的油量会超过油箱容量。

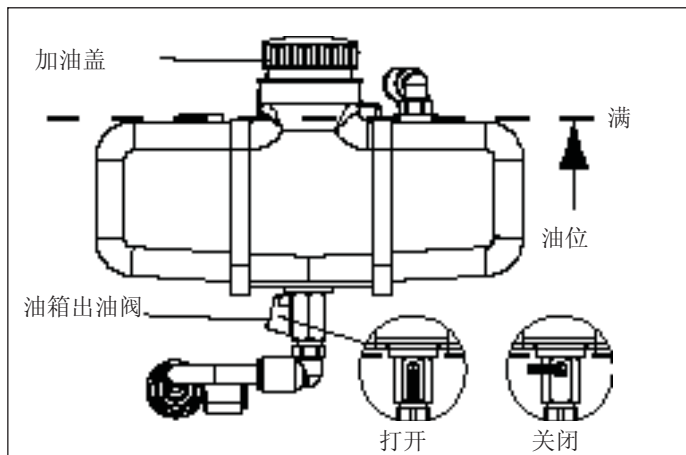


图 3, 液油箱

##### 4.2 气压和液压连接



警告: 在连接气源前, 确保空气截止 (开-关) 阀处于关闭状态 (即手柄处于垂直位置), 并且卸荷阀处于打开状态。见图 1。此外, 还要确保气压调节器完全关闭, 以使泵气压表读数变为零 [0] psi。

根据需要进行连接:

- 泵的进气口位于气压调节器组件上, 采用标准的 1/2" NPT 连接。
- 泵的液压油出口为 1/4" BSPP 母接头。如果泵是在螺栓连接应用环境中使用, 通常会在其 BSPP 接头处安装一个快换母接头。

##### 4.3 气源要求

出油压力为 6.8 bar (100 psi) 时, 泵的耗气量约为 594 升/分 (21 SCFM) 的自由空气。空气压力较低, 液压较高时, 耗气量将随所示流量成比例地减少。

重要事项: 泵供气静压不得超过 6.2 bar (90 psi)。



警告: 泵气压安全阀出厂设置为大约 6.2 巴 (90 psi)。为防止人身伤害和设备损坏, 请勿尝试提高气压安全阀设置值。

请仅使用干燥和过滤的压缩空气。强烈建议使用水分离器。

泵的内部组件为自润滑组件, 不需要使用经过润滑的空气。

#### 4.4 泵预充油（排气）

重要事项：新泵在初次启动前必须进行预充油。

请按以下步骤所述执行预充程序。请参阅图 4 至 7。

1. 确保液压油箱已填充适用的油，并且油箱出口阀处于打开状态。请参阅第 4.1 节。
2. 确保空气截止阀处于关闭位置，并且卸荷阀处于打开状态。
3. 将油箱加油盖松动大约半圈，进行排气。排气是正常工作所必需的。

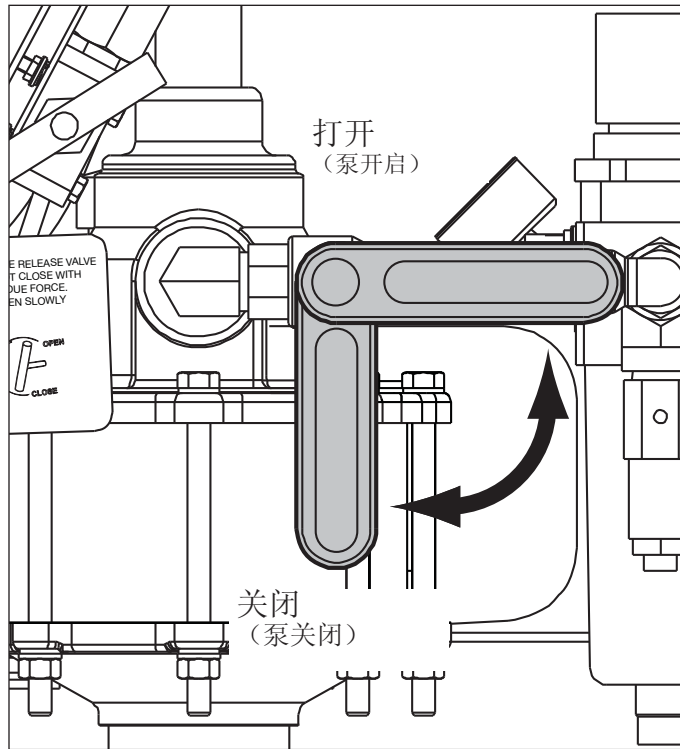


图 4, 空气截止阀

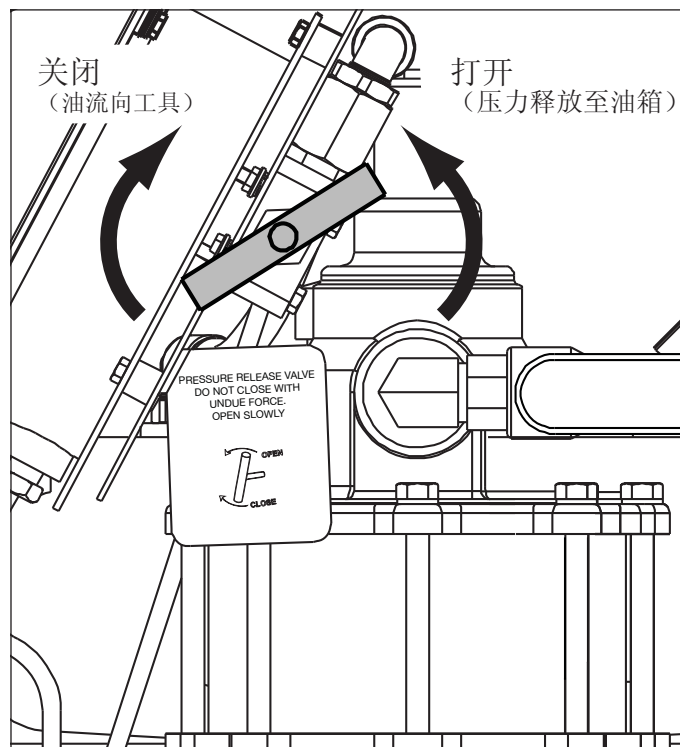


图 5, 卸荷阀

4. 将供气软管连接到泵进气口。

5. 使空气截止阀保持关闭状态，启动气源并检查气压表。如果显示有任何压力，请根据需要逆时针旋转气压调节器旋钮，直至压力计读数变为零 [0] bar/psi。

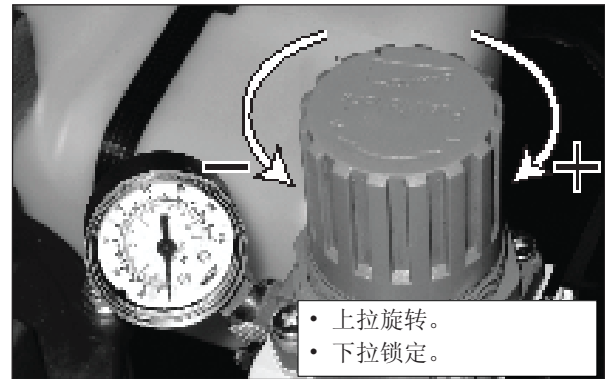


图 6, 气压表和气压调节器

6. 将 1 米 (3 英尺) 长液压软管的一端连接到泵的油出口。
7. 在软管的另一端安装一个开口式接头。
8. 卸下油箱的加油盖。将软管安装了开口式接头的一端置于油箱内，这使油能够在预充期间回流。
9. 关闭卸荷阀。将空气截止阀移至打开位置。
10. 使用气压调节器缓慢地将空气压力从 0 psi 增加到 0.68 - 1.0 bar (10-15 psi)，使泵启动。
11. 确认油是否通过软管回流到油箱。将空气压力增加到 2.75 bar (40 psi)，直至系统中的所有空气均被排出。
12. 将空气截止阀移回关闭位置。泵将停止运行。
13. 逆时针旋转气压调节器旋钮，直至气压表读数变为零 [0] bar/psi。
14. 卸荷阀，释放所有残留的液压。确认压力表读数为零 [0] bar/psi。

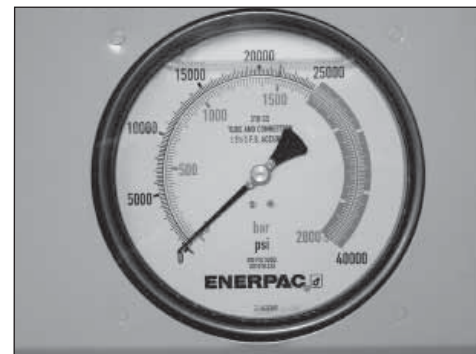


图 7, 压力表

15. 从油箱中取出 1 米 (3 英尺) 长的回油软管。重新安装油箱加油盖。
16. 断开回油软管与泵油出口的连接。

## 5.0 泵操作

请按照第 5.1 至 5.4 节所述操作泵。请参阅图 4 至 7。

重要事项：新泵在运行前必须进行预充。请参阅第 4.4 节。

### 5.1 泵加压前

1. 确保空气截止阀处于关闭位置，并且卸荷阀处于打开状态。
2. 为泵做运行准备。检查油位并进行必要的软管连接。请参阅第 4.1、4.2 和 4.3 节。
3. 使空气截止阀保持关闭状态，启动气源并检查气压表。如果显示有任何压力，请根据需要逆时针旋转气压调节器旋钮，直至气压表读数变为零 [0] bar/psi。
4. 将油箱加油盖松动大约半圈，进行排气。排气是正常工作所必需的。

### 5.2 泵加压

1. 关闭卸荷阀。  
重要事项：请仅使用手关闭回油阀。使用工具关闭阀可能会导致阀和/或阀座损坏。
2. 将空气截止阀移至打开位置。
3. 缓慢地增加空气压力（顺时针转动气压调节器旋钮），直至泵开始运行，并且油压开始增加。



泵运行时请时刻监控压力表。压力的上升速度可能会比预计的快。做好准备，在指示所需的油压时立即关闭空气截止阀。

重要事项：为液压管路加压所需的时间因所连接工具的数量和类型、可用空气流量、液压软管长度及其它因素而异。

4. 当压力表显示所需的读数时，请停止转动气压调节器旋钮，并将空气截止阀移至关闭位置。泵将停止运行。
5. 逆时针旋转空气压力调节器旋钮，直至气压表读数变为零 [0] bar/psi。

### 5.3 泵卸荷

1. 确保空气截止阀处于关闭位置。
2. 缓慢地打开卸荷阀，释放液压。确认压力表读数为零 [0] bar/psi。

### 5.4 泵停机和断开连接

1. 确保空气截止阀处于关闭位置。根据需要逆时针旋转气压调节器旋钮，直至气压表读数变为零 [0] bar/psi。
2. 缓慢地打开卸荷阀（如果已关闭），清除所有残余液压。确认压力表读数为零 [0] bar/psi。
3. 断开供气软管与泵进气口的连接。
4. 断开供油软管与泵油出口的连接。

5. 将油箱加油盖完全闭合。

重要事项：不使用泵时，必须将油箱加油盖完全闭合，以防污染物进入系统。

6. 按照第 6.0 节所述存放泵。

## 6.0 存放

- 确保卸荷阀处于打开位置。
- 确保油箱加油盖完全闭合。
- 卸下滤杯。排水并清除任何碎屑。排水后重新安装滤杯。
- 将泵垂直地存放在洁净、干燥的地方。
- 为为液压油出口和进气口盖上防尘罩。
- 如果泵的存放时间较长，请在所有暴露的无涂层金属部件上涂抹适用的防锈剂。

## 7.0 维护

请参阅图 8，了解泵维护项目的位置。

重要事项：请时刻小心以避免灰尘和固体颗粒进入泵和油路。系统中的异物可能会导致泵发生故障，或损坏泵的组件。此类损坏不在保修范围之内。

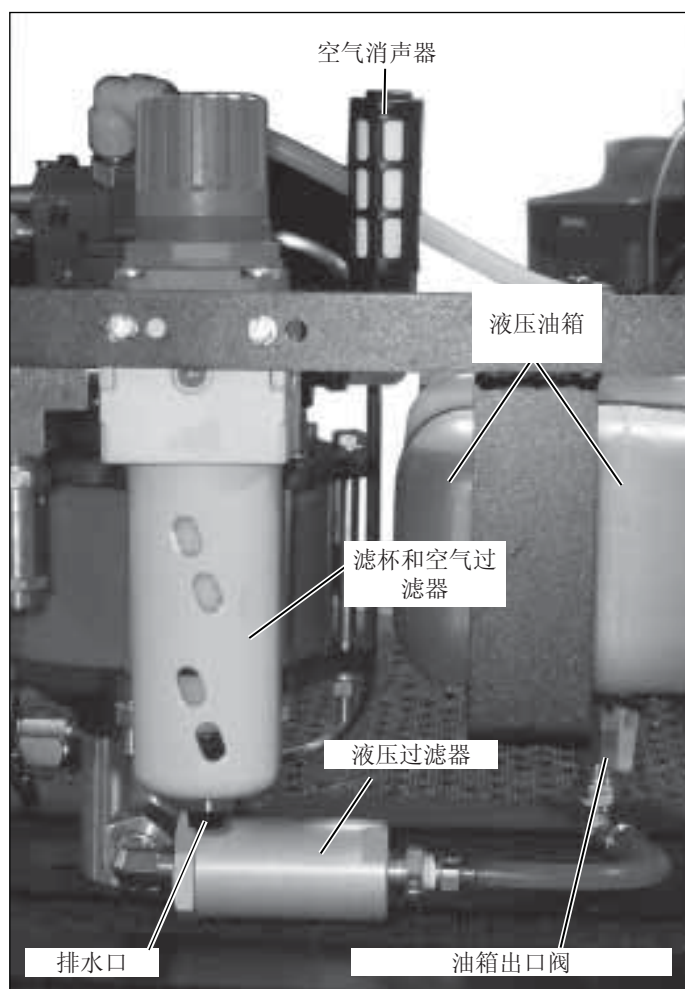


图 8，泵维护项目



警告：在进行任何维护或修理前，请确保卸荷阀处于打开状态，并且空气截止阀处于关闭位置。务必断开供气管路和液压管路与泵的连接。确认压力计读数为零 [0] bar/psi。

### 7.1 空气过滤器

如果空气过滤器元件变脏，或空气流量显著下降，请将其更换。请参阅图 9 中的零件图。

### 7.2 滤杯排水口

当滤杯的水位上升至滤杯高度的大约 1/3 处时，滤杯自己会自动排水。必须至少将滤杯加压至 1.5 bar (22 psi)，才能进行自动排水。必要时，可以将一根安装了一个 1/8" BSPP 接头（用户提供）的排水软管连接到滤杯排水口。

如果自动排水功能无法工作，请更换整个滤杯组件。请参阅图 9 中的零件图。

重要事项：为防止自动排水组件损坏，请勿尝试松动排水口螺母。滤杯不含手动排泄阀。如果需要手动排水，请关闭气源，卸下滤杯，然后将任何滞留的水排出。

### 7.3 空气消声器

定期检查空气消声器。使用抹布清除任何残留的浮尘或浮油。如果消声器堵塞或泵的噪音显著增大，请更换消声器。请参阅图 8，了解具体位置。

### 7.4 换油

Enerpac HF 油呈现清澈的蓝色。经常比较泵中的油与新鲜 Enerpac 油，检查油的污染状况。一般情况下，每隔 250 小时需要将油箱完全排空，然后清除干净；如果是在肮脏环境中使用，清洁频率要更高一些。

按照以下步骤所述换油。请参阅图 8：

1. 关闭油箱出口阀。
2. 断开液压过滤器处的油管。在软管的自由端下放一个合适的容器。
3. 打开油箱出口阀。让油排入下面的容器。按照所有适用法规和规定的规定处理用过的油。
4. 拆卸液压过滤器组件。清洗并重新装上（或更换）液压过滤器元件。请参阅第 7.5 节，了解更多信息。
5. 重新将油管与液压过滤器相连。为防止空气进入或泄漏，请确保连接紧密。
6. 打开油箱出口阀。按照第 4.4 节所述预充泵。

### 7.5 液压过滤器

每次换油时都要卸下并检查液压过滤器元件。如果元件状况良好，可以在清洁后重复使用。不过，如果旧元件损坏或清洁次数已超过三次，则应安装新元件。泵性能显著下降时，请检查元件。请参阅图 10 中的零件图。

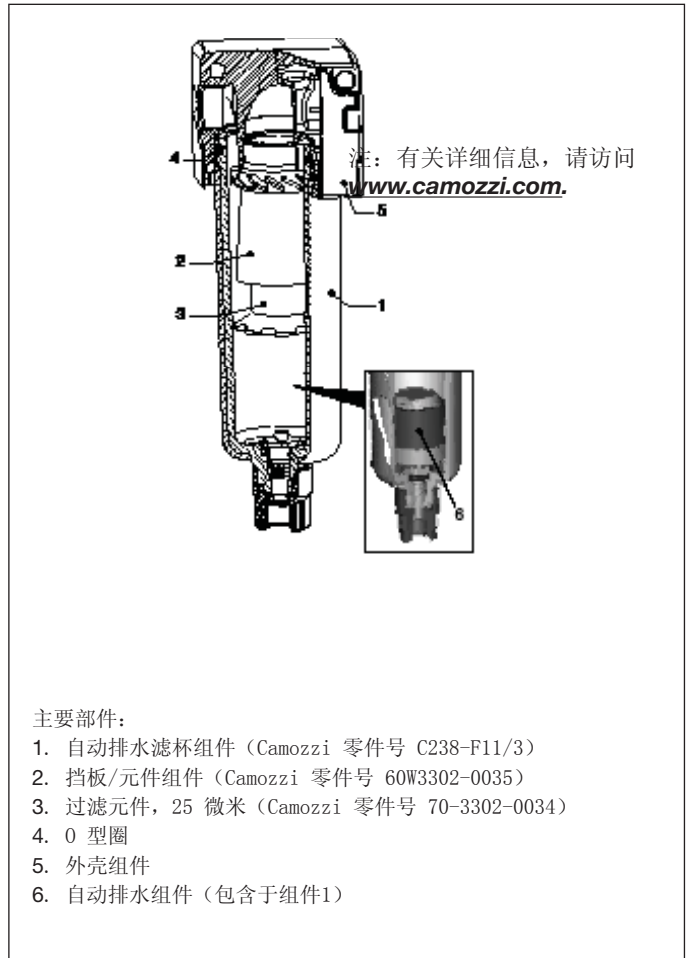


图 9：空气滤杯详图

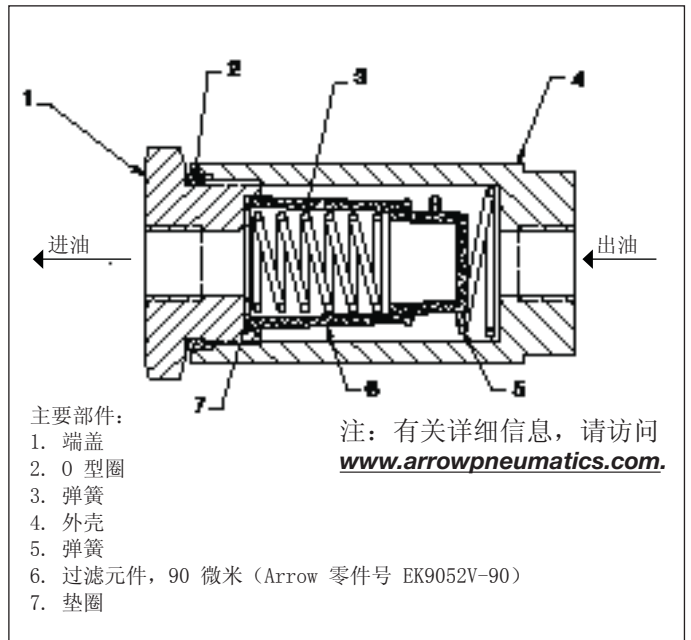


图 10：液压过滤器详图



## 8.0 故障排除

只有合格的液压技术人员才能维修泵或系统组件。系统故障不一定是由泵故障导致的。要确定问题原因，诊断过程必须考虑整个系统。

以下故障排除表仅用于帮助确定是否存在问题。有关维修服务，请联系当地的“Enerpac 授权服务中心”。

问题	可能的原因	操作
泵无法启动。	气源无气压	检查气源。
	泵空气截止阀关闭。	打开泵空气切断阀。
	泵气压调节器设置得过低。	打开泵空气截止阀。
	泵空气过滤器不干净。	更换空气过滤器元件。
	泵空气电机磨损或损坏。	联系 Enerpac 授权服务中心。
	泵元件堵塞。	联系 Enerpac 授权服务中心。
泵无法建压或压力太低。	气源的气压或气量较低。	检查气源。
	泵气压调节器设置得过低。	检查调节器设置。
	泵空气过滤器不干净。	R更换空气过滤器元件。
	泵卸荷阀处于打开状态，或未完全关闭。	关闭卸荷阀。
	油箱的油位低。	检查油位。必要时加油。
	泵的液压过滤器不干净。	液压软管、管件或工具漏油。
	液压软管、接头或工具漏油。	必要时更换泄漏的组件。
	泵卸荷阀泄漏。	更换卸荷阀。
	泵气动马达磨损或损坏。	联系 Enerpac 授权服务中心。
	泵元件和/或气动马达存在内部泄漏。	联系 Enerpac 授权服务中心。
泵运行不稳定。	气源的气压或气量较低。	检查气源。
	泵未进行预充和/或液压管路中有空气。	按照第 4.4 节所述预充泵。
	液压油不干净。	更换液压油。请仅使用 Enerpac HF 油。清洁或更换液压过滤器元件。
	泵空气电机磨损或损坏。	联系 Enerpac 授权服务中心。
泵排气的湿度过大。	供气中的水份和/或润滑剂过多。	减少空气中的水份。安装水分离器。 注：泵组件为自润滑组件。不需要使用经过润滑的空气。
	泵空气滤杯需要排水。	检查滤杯中的水量。必要时排水。
	泵空气过滤器不干净。	更换空气过滤器元件。
	泵元件和/或空气电机存在内部泄漏。	联系 Enerpac 授权服务中心。

L2743 Rev. A 06/10

## 1.0 納品時の重要指示

全ての部品に運送中の損傷がないか目視で確かめてください。運送中の損傷は保証されません。運送中の損傷が見つかった場合、すぐに運送業者に連絡してください。運送中に生じた損傷については、運送業者が修理費や交換費を全て負担します。

## 2.0 安全事項

### 2.1 一般的な油圧安全注意事項



指示、警告、注意は必ずよくお読みください。安全注意事項に従って、システム操作中に人身事故や器物破損が起こらないようにしてください。エナパックは、不安全な製品の使用、保守の不足、製品及び/又はシステムの不正な操作から生じる損傷や怪我には責任を負いません。安全注意事項及び操作に関して疑問点があれば、エナパックまでお問い合わせください。高圧油圧の安全に関する訓練を受けたことがない場合、無料のエナパックハイドロリック安全コースについて、担当の販売店又はサービスセンターにお問い合わせください。

以下の注意及び警告に従わない場合、装置破損や人身事故の原因となる恐れがあります。

**注意**は、装置やその他器物の破損を防止するための、適正な操作や保守手順を示す場合に使われます。

**警告**は、人身事故を予防するために適正な手順や心得が必要な潜在的な危険性を示します。

**危険**は、重傷や死亡事故の原因となる恐れがある禁止行為又は必須行為を示します。



**警告**: 油圧機器を取り扱う際は、適切な保護用具を装着してください。



**警告**: システムの使用圧力は、システム内の最低定格部品の圧力定格を超えないようにしてください。圧力計をシステムに取り付けて、使用圧力をモニターしてください。システムの監視は、各自が行ってください。



**警告**: システムの使用圧力は、システム内の最低定格部品の圧力定格を超えないようにしてください。圧力計をシステムに取り付けて、使用圧力をモニターしてください。システムの監視は、各自が行ってください。



**注意**: 油圧ホースを損傷させないでください。油圧ホースは、敷設時に折り曲げたりねじったりしないでください。折れ曲がったりねじれたホースを使用すると、大きな逆圧が発生します。ホースを折れ曲がったりねじれたままにしておくと、ホースの内部が損傷して、早期故障を引き起こします。



ホースの上に**重いものを落とさない**でください。強い衝撃によって、ホース内部のワイヤストランドが損傷する恐れがあります。損傷しているホースに圧力をかけると、破裂する恐れがあります。



**重要**: 油圧装置は、ホースやスイベルカブラを使って持ち上げないでください。安全に移動させるために、キャリングハンドルやその他の手段を用いてください。



**注意**: 油圧装置は、火気や熱源から離してください。過熱によって、パッキンやシールが柔らかくなり、液漏れが生じます。また、熱によって、ホース材やパッキンが劣化します。最適な性能を保つには、装置を65°C (150°F) 以上の温度にさらさないでください。ホースやシリンダに対する溶接スバッタは避けてください。



**危険**: 加圧されているホースには**触れない**でください。加圧状態のオイルが漏れて皮膚に浸透すると、重大な人身事故の原因となります。オイルが皮膚下にしみ込んだ場合、すぐに医師の診断を受けてください。



**重要**: 資格を持った油圧技術者以外は、ポンプあるいはシステム構成品の点検修理を行わないでください。点検修理についてはお近くの正規エナパックサービスセンターにご連絡ください。保証を受けるためには、必ずエナパックオイルを使用してください。



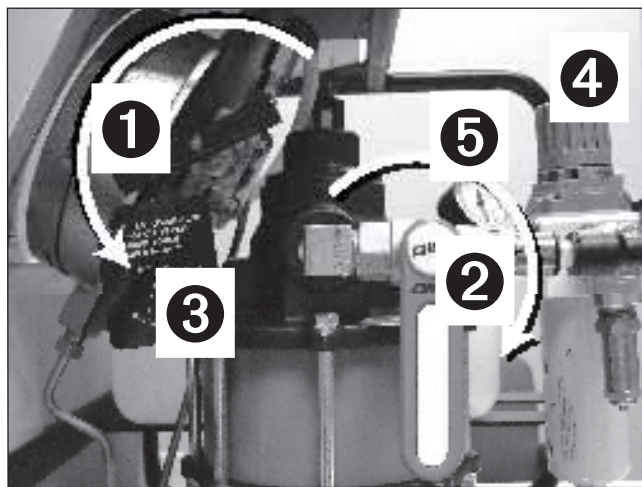
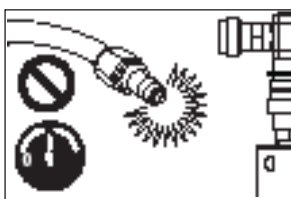
**警告**: 摩耗したり損傷した部品は、直ちにエナパックの純正部品と交換してください。市販の標準部品は、破損して人身事故や器物破損の原因となる場合があります。エナパック製の部品は、高荷重に適合および耐えるように設計製造されています。

## 2.2 ATP-1500安全注意事項



**警告：**以下の注意事項を遵守しないと、重大な人身障害や死亡事故の原因となります。

- ポンプ操作中は、必ず眼の保護具、グローブ、ブーツを着用してください。
- 高圧油圧装置は、誤用すると極めて危険です。高圧時にオイル漏れが見つかった場合は離れてください。高圧状態の装置からの液体噴出は、皮膚を貫通する威力があり、血液中毒の原因となります。このような事態が発生した場合、直ちに治療を受けてください。
- 加圧中の油圧カプラは外さないでください。
- システム加圧中は、漏れの修理を行わないでください。修理を行う前に、システムの圧力計がゼロ(0)bar/psiを指していることを確認してください。
- 取り外したオス形カプラの後ろ側は加圧しないでください。加圧中にカプラが故障した場合、重大な人身傷害の原因となります。
- システム加圧中は注意が必要です。圧力は予想よりも早く上昇することがあります。加圧中は圧力計の監視を続けてください。いつでも加圧を即停止できるように準備してください。
- 操作の前に、クイック着脱カップリングが適切に接続されていることを実際に引っ張って確かめてください。
- ポンプの操作は、必ず訓練を受け経験がある人員が行ってください。誤ってポンプが始動するのを防止するために、特に注意が必要です。
- 加圧中のシステムは無人状態で放置しないでください。その場を離れなければならない場合、空気閉止弁を閉じて、ポンプの逃し弁(タンク還流)を完全に開いた状態にしてください。空気圧計がゼロ[0]bar/psiを指すまで、空気レギュレータノブを反時計方向に回します。
- 油圧ホース、工具またはポンプの安全作動圧力を絶対に超えないでください。ATP-1500ポンプの最大許容作動圧力(油圧)は1500 bar[21,755 psi]です。



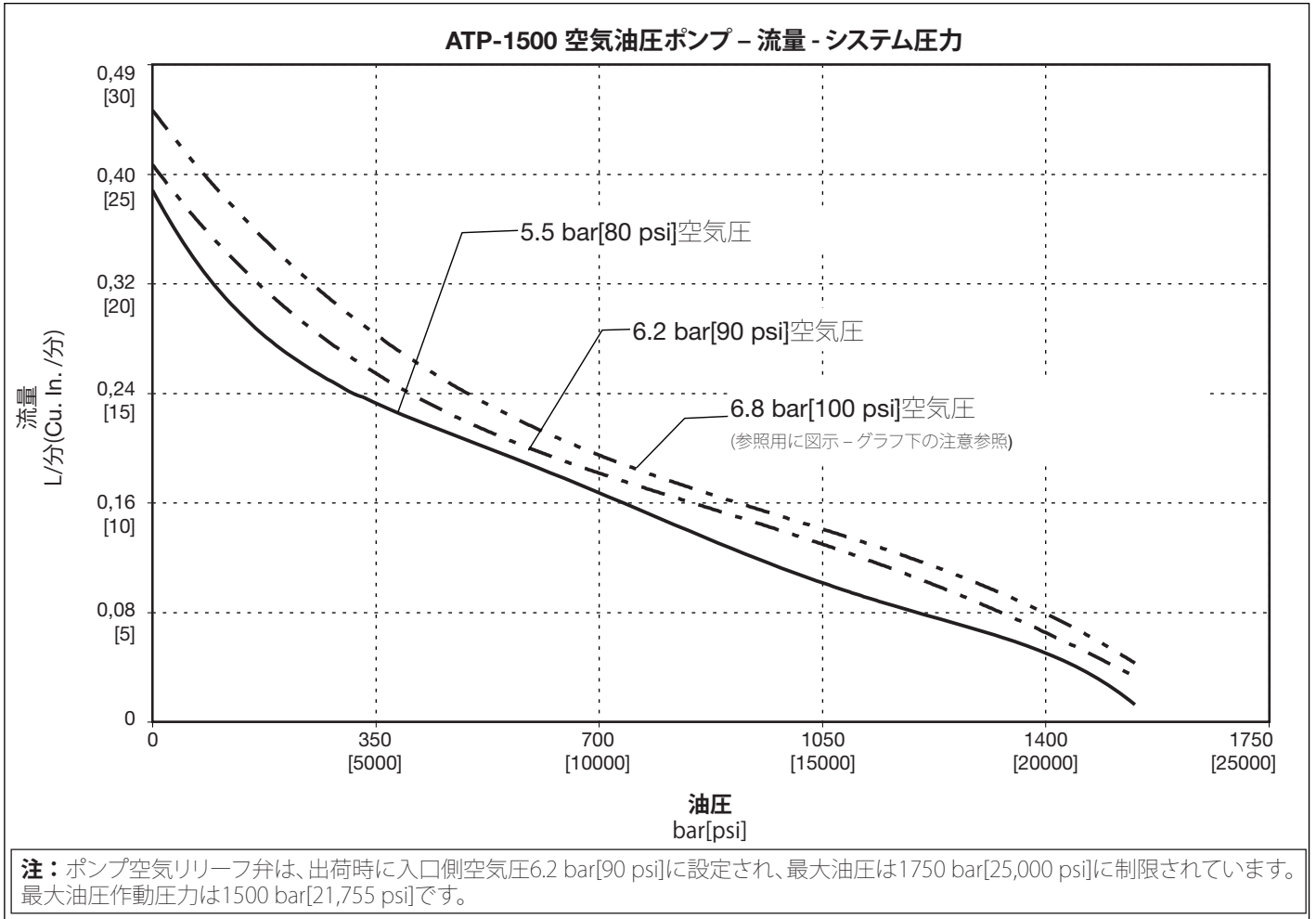
キー	
① 開	③ タンク還流弁
② 閉	④ 空気圧レギュレータ
	⑤ 空気閉止弁

図1、空気供給源を接続する前の状態

- 空気供給源を接続する前に、空気閉止(オン-オフ)弁が閉じられ(ハンドル垂直位置)、オイルのタンク還流弁が開いていることを確かめます。図1を参照してください。
- 空気供給源を接続後、空気圧計を点検します。圧力が示されたら、空気圧計がゼロ[0]bar/psiを指すまで、空気レギュレータノブを反時計方向に回します。
- ポンプの空気圧は、常にゼロ [0]bar/psiから開始して加圧します。空気圧レギュレータノブはゆっくり回し、予期せぬ油圧の急激な上昇を防ぎます。
- 目的の油圧が得られたら、空気閉止弁を閉じて、空気圧計がゼロ [0]bar/psiを指すまで、空気圧レギュレータノブを反時計方向に回します。
- システムを無人の状態にする前に、必ず除圧してください。

### 3.0 仕様

#### 3.1 性能データ

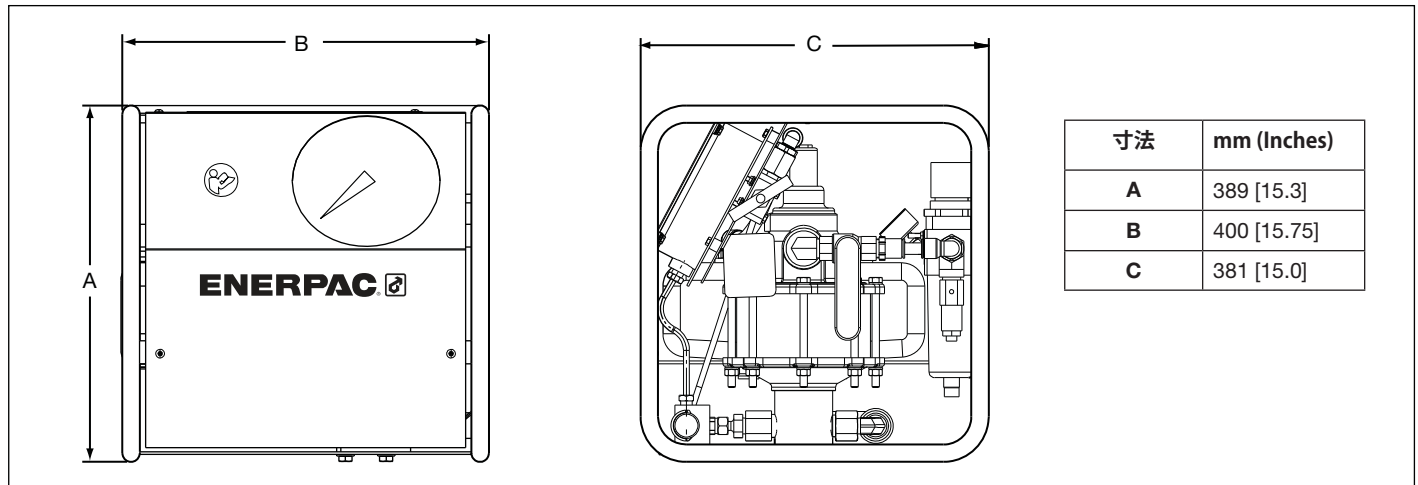


#### 3.2 技術データ

温度範囲	オイル粘度範囲	油圧オイルのタイプ (推奨)	シール材料	最大油圧 (操作時)	騒音レベル	空気消費量 (標準)*	重量(オイルを含む)
-29 to +50°C [-20 to +140°F]	[15 - 25 C.S.T.] 150 - 165 S.U.S.	Enerpac HF	Bunaおよび Viton.	1500 bar [21,755 psi]	70 dBA Max.	113 L/Min [21 SCFM]	32 Kg [54 lbs.]

\*実際の空気使用量は、用途によって異なります。詳細については、図4.3を参照してください。

#### 3.3 外寸



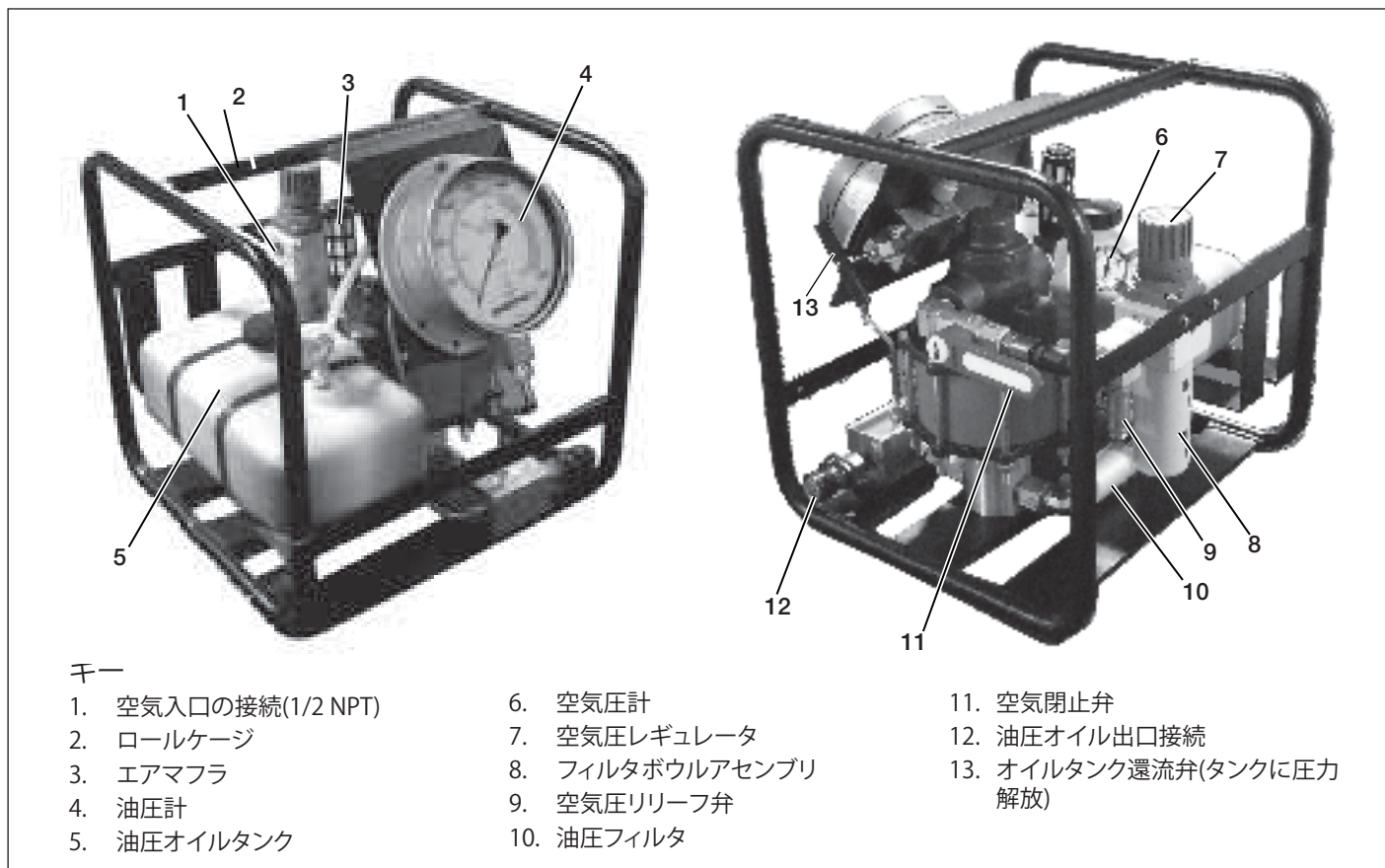


図2. ポンプの外観および構成部品(注:図示のためにガードおよびカバーを外した状態)

## 4.0 ポンプの準備

### 4.1 オイルタンク

始動前にポンプのオイルレベルを点検します。オイルレベルの点検前に、以下を確認します。

- 空気閉止弁が閉じられ、オイルのタンク還流 弁が開いている。図1を参照してください。
- ポンプ油圧計および空気圧計が両方ともゼロ[0]bar/psiを指している。

図3に示すように、オイルレベルがタンクの一番上に達している場合、タンクは満杯です。オイル容量は、およそ3.8 liter[1 US gallon]です。Enerpac タイプHFオイルを使用してください。

**重要:**すべてのシステム部品を完全に元の位置に戻してから、オイルを補充してください。これに従わない場合、タンクに保持可能な容量を超えるオイルがシステムに送られます。

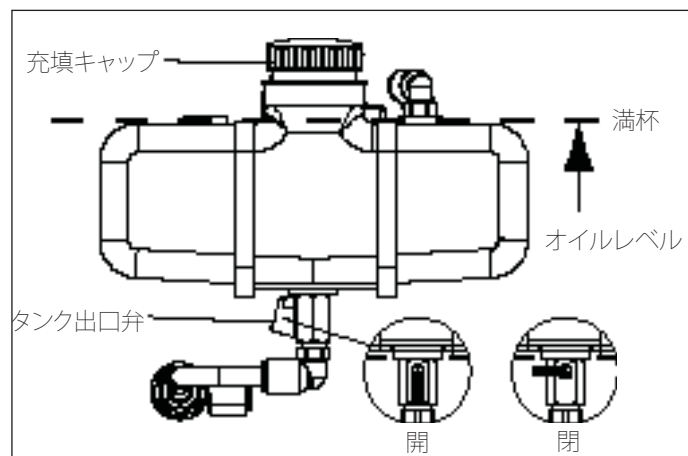


図3. 油圧オイルタンク

### 4.2 空気および油圧接続



警告: 空気供給源を接続する前に、空気閉止(オン-オフ)弁が閉じられ(ハンドル垂直位置)、オイルのタンク還流弁が開いていることを確かめます。図1を参照してください。空気圧レギュレータを完全に締め切り、空気圧計がゼロ[0]bar/psiを指していることも確かめてください。

必要に応じて接続を行います。

- ポンプ空気入口は、空気圧レギュレータアセンブリにあります。接続は、標準の1/2" NPTです。
- ポンプ油圧オイル出口の接続は、1/4"メス形BSPPです。ボルト締め用に使用するポンプでは、メス形クイック着脱カプラがBSPP接続に標準装備されています。

### 4.3 空気の要件

ポンプの空気消費量は、6.8 bar[100 psi]オイル排出圧力でおおよそ113 L/分[21 SCFM](自由大気)です。空気圧が低く油圧が高い場合、空気消費量は流量に比例して減少します。

**重要:**ポンプ空気供給圧は、6.2 bar[90 psi](静圧)を超えないでください。



警告: ポンプ空気リリーフ弁は、出荷時におおよそ6.2 bar[90 psi]に設定されています。人身障害および装置破損を防止するため、リリーフ弁の圧力設定は上げないでください。

必ず乾燥ろ過圧縮空気を使用してください。水分分離器の使用を強くお勧めします。

ポンプの内部構成部品は、自動潤滑式です。空気を潤滑する必要はありません。

#### 4.4 ポンプのプライミング(抽気)

**重要:** 新しいポンプを使用する際は、初回の始動する前にプライミングが必要です。以下の手順に従って、プライミング手順を実施してください。図4と7を参照してください。

1. 油圧タンクに適正なオイルが補充されていることおよびタンク出口弁が開いていることを確かめてください。セクション4.1を参照してください。
2. 空気閉止弁が閉位置になっていることおよびオイルのタンク還流弁が開いていることを確かめます。
3. タンク充填キャップおよそ1回転半させて緩め、空気を除去します。空気抜きは、適正な作動のために必要です。

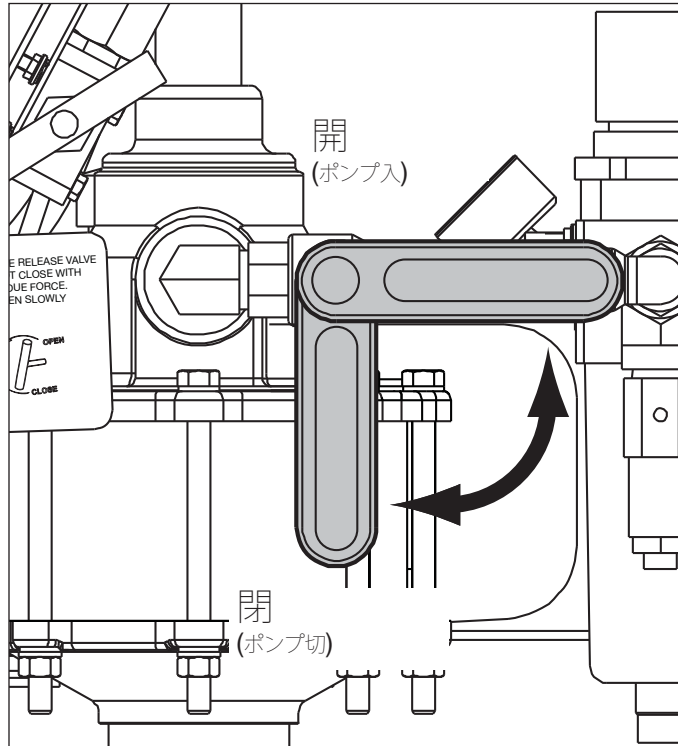


図4. 空気閉止弁

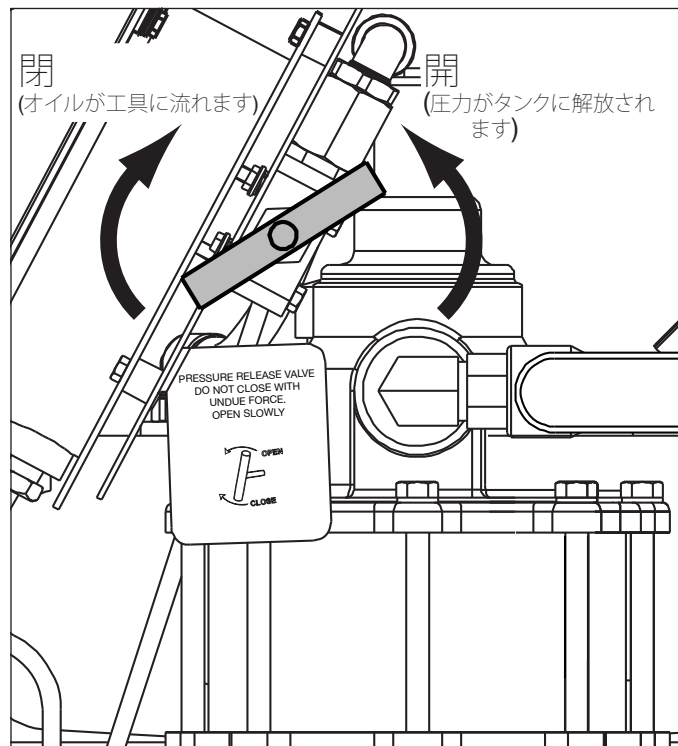


図5. オイルのタンク還流弁

4. 空気供給ホースをポンプの空気入ロ接続部に接続します。
5. 空気閉止弁を閉じたまま、空気源を立ち上げて、空気圧計を点検します。圧力が示されたら、空気圧計がゼロ[0]bar/psiを指すまで、必要に応じて空気レギュレータノブを反時計方向に回します。

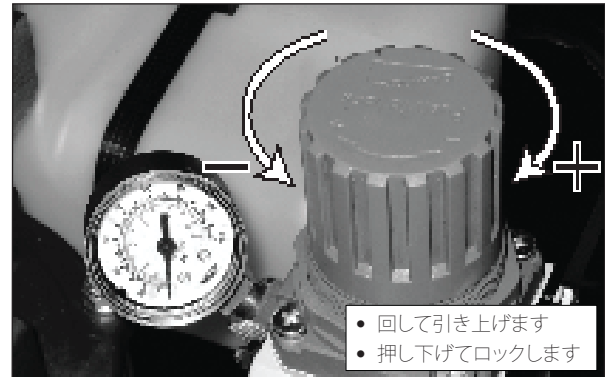


図6 空気圧計とレギュレータ

6. 長さ1 m[3 foot]の油圧ホースの片端をポンプオイル出口接続部に接続します。
7. クイック着脱継手の開放端をホースのもう一方の端に取り付けます。
8. タンク充填キャップを外します。ホースの端をタンク内側の継手の開放端に取り付けます。これにより、プライミング中にオイルが戻ります。
9. オイルのタンク還流弁を閉じます。空気閉止弁を開位置にします。
10. 空気圧レギュレータを使用して、空気圧を0.68 - 1.0 bar[0 psi~10-15 psi]にゆっくりと上げ、ポンプの操作を開始します。
11. オイルがホースを通してタンクに戻っていることを確認します。システムからすべての空気が除去されるまで(オイルの還流に泡が含まれなくなります)、空気圧を2.75 bar[40 psi]まで上げます。
12. 空気閉止弁を開位置に戻します。ポンプが停止します。
13. 空気圧計がゼロ[0]bar/psiを指すまで、空気レギュレータノブを反時計方向に回します。
14. オイルのタンク還流弁を開いて、残余油圧を解放します。油圧計がゼロ(0)bar/psiを指していることを確認します。

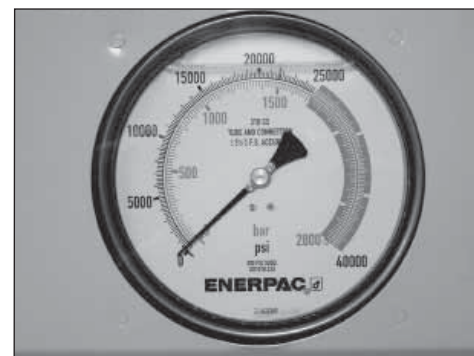


図7. 油圧計

15. 長さ1 m[3 foot]のオイル還流ホースをタンクから外します。タンク充填キャップを再取り付けします。
16. オイル還流ホースをポンプのオイル出口接続部から外します。

## 5.0 ポンプの操作

セクション5.1～5.4の指示に従って、ポンプを操作します。図4～7を参照してください。

**重要:**新しいポンプは、操作する前にプライミングが必要ですセクション4.4を参照してください。

### 5.1 ポンプを加圧する前に

1. 空気閉止弁が閉位置になっていることおよびオイルのタンク還流弁が開いていることを確かめます。
2. ポンプの操作を準備します。オイルレベルを点検して、必要に応じてホース接続を行います。セクション4.1、4.2、4.3を参照してください。
3. 空気閉止弁を閉じたまま、空気源を立ち上げて、空気圧計を点検します。圧力が示されたら、空気圧計がゼロ[0]bar/psiを指すまで、必要に応じて空気レギュレータノブを反時計方向に回します。
4. タンク充填キャップおよそ1回転半させて緩め、空気を除去します。空気抜きは、適正な作動のために必要です。

### 5.2 ンプの加圧

1. オイルのタンク還流弁を閉じます。  
**重要:**オイルのタンク還流弁は、必ず手で閉じてください。弁に工具を使用すると、弁/弁座を損傷する原因となります。
2. 空気閉止弁を開位置にします。
3. ポンプが始動して油圧が立ち上がるまで、空気圧をゆっくりと上げます(空気圧レギュレータノブを時計方向に回します)。



**注意:**ポンプ作動中は、油圧計を監視し続けてください。圧力は予想よりも早く上昇します。目的の油圧が示されたら、空気閉止弁を即閉じることができるように準備します。

**重要:**油圧サーキットを加圧するのに要する時間は、接続されている工具の数/タイプ、使用できる空気量、油圧ホースの長さおよびその他の要因によって異なります。

4. 油圧計が目的の読取値を指したら、空気圧レギュレータノブを回すのを止め、空気閉止弁を閉位置にします。ポンプが停止します。
5. 空気圧計がゼロ[0]bar/psiを指すまで、空気レギュレータノブを反時計方向に回します。

### 5.3 ポンプの減圧

1. 空気閉止弁を開位置に切り替えます。
2. オイルのタンク還流弁をゆっくり開き、残余油圧を解放します。油圧計がゼロ(0)bar/psiを指していることを確認します。

### 5.4 ポンプの停止と切断

1. 空気閉止弁を開位置に切り替えます。空気圧計がゼロ[0]bar/psiを指すまで、必要に応じて空気圧レギュレータノブを反時計方向に回します。
2. オイルのタンク還流弁をゆっくり開き(閉じている場合)、残余油圧を解放します。油圧計がゼロ(0)bar/psiを指していることを確認します。
3. 空気供給ホースをポンプの空気入口接続部から外します。
4. オイル供給ホースをポンプのオイル出口接続部から外します。
5. タンクの充填キャップを完全に閉じます。

**重要:**ポンプを使用しないときは、オイル充填キャップを完全に閉じて、システムから異物が混入するのを防いでください。

6. セクション6.0の指示に従って、ポンプを保管します。

## 6.0 保管

- オイルのタンク還流弁を開位置に切り替えます。
- タンク充填キャップが完全に閉じられていることを点検します。
- フィルタボウルを外します。水抜きをして、ごみを取り除きます。水抜き後にボウルを再取り付けします。
- ポンプは、清潔で乾燥した場所で上向きにして保管します。
- ダストカバーを油圧オイル出口と空気入口接続部に取り付けます。
- ポンプを長期間保管する場合、適切なさび止めをすべてのメッキされていない金属部品の露出部分に塗布します。

## 7.0 メンテナンス

ポンプのメンテナンス部品と配置については、図8を参照してください。

**重要:**あらゆる予防策を講じて、ポンプおよびオイルラインにゴミやチリが入らないように保護してください。システムに異物が入り込むと、ポンプの故障およびポンプ構成部品の損傷の原因となります。このような損傷は、保証対象外となります。

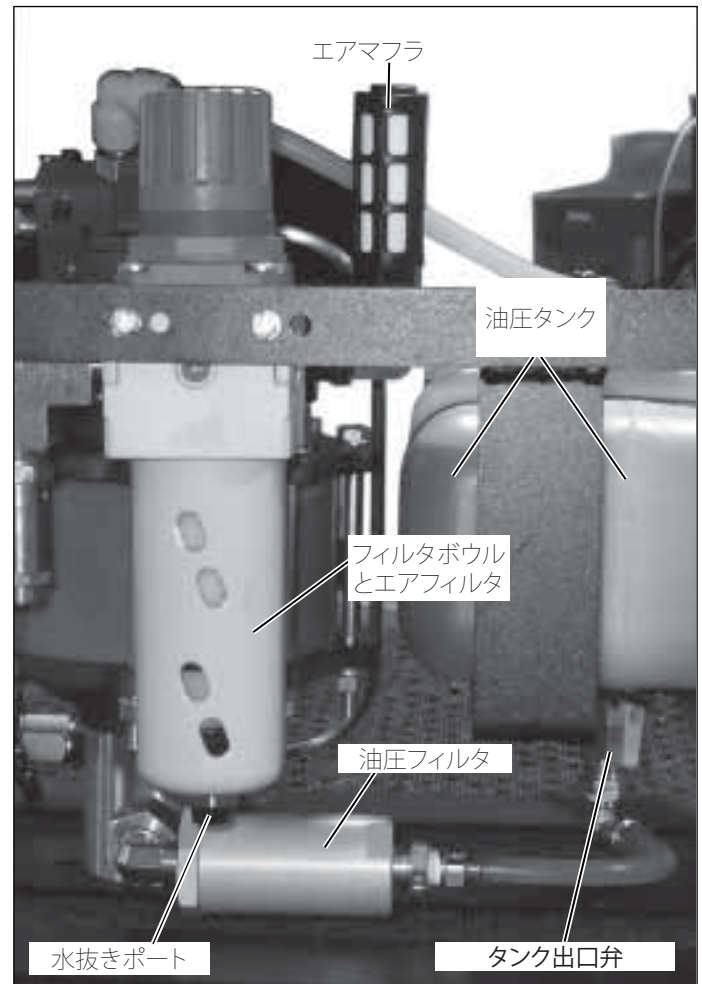


図 8、ポンプのメンテナンス部品



**警告:**メンテナンスや修理を開始する前に、オイル還流弁を開き、空気閉止弁を閉じてください。空気および油圧ラインの接続は、必ずポンプから外してください。圧力計がゼロ(0)bar/psiを指していることを確認します。

## 7.1 エアフィルタ

エアフィルタエレメントは、汚れていたり、空気流が著しく低下している場合、新品と交換します。部品については、図9を参照してください。

## 7.2 フィルタボウルの水抜きポート

フィルタボウルは、水位がボウルのおよそ1/3に達すると、自動的に水抜きを行います。自動水抜きを有効にするには、ボウルを1.5 bar[22 psi]またはそれ以上に加圧してください。必要に応じて、1/8" BSP継手付きの水抜きホースをボウルの水抜きポートに接続できます。

自動水抜きが機能しない場合、ボウルアセンブリ全体を交換します。部品については、図9を参照してください。

**重要:**自動水抜きアセンブリの損傷を防ぐため、水抜きポートのナットは緩めないでください。ボウルには、手動の水抜き弁は付いていません。手動で水抜きする場合、空気供給源を遮断して、ボウルを外して残水を抜きます。

## 7.3 エアマフラ

エアマフラは定期的に点検します。ほこりやオイルの残りは、布でふき取ります。マフラが詰まっている場合やポンプの騒音が著しく増している場合、新品に交換します。部品の位置については、図8を参照してください。

## 7.4 オイル交換

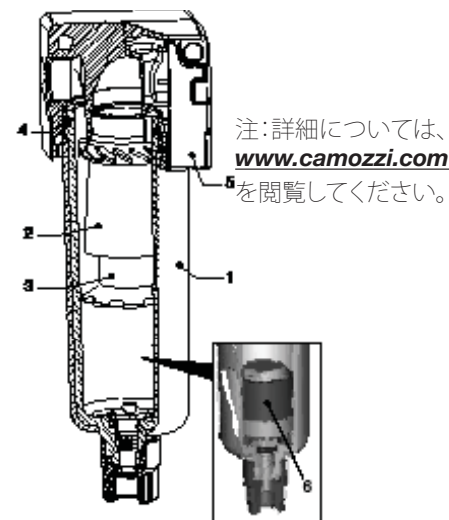
Enerpac HFオイルは、鮮やかな青色です。ポンプのオイルと新品のEnerpacオイルの状態を比べて、オイルの汚れ具合を頻繁に確認してください。一般的に、250時間毎、または汚れやすい環境で使用している場合はこれよりも短期間でオイルタンクからオイルを完全に抜いて洗浄します。

以下の手順に従って、オイルを交換します。図8を参照してください。

1. タンクの出口弁を閉じます。
2. 油圧フィルタのオイルホースを外します。ホースの開放端に適切な容器を用意します。
3. タンク出口弁を開きます。オイルを容器に移します。使用済みオイルは、適用規則および法律に従って廃棄してください。
4. 油圧フィルタアセンブリを分解します。油圧フィルタエレメントをクリーニングして再取り付けします(または交換します)。詳細については、図7.5を参照してください。
5. オイルホースを油圧フィルタに再取り付けします。空気の混入や1. タンクの出口弁を開きます。セクション4.4の指示に従って、ポンプのプライミングを行ってください。

## 7.5 油圧フィルタ

オイル交換時には、必ず油圧フィルタエレメントを外して点検します。エレメントをクリーニングして、良好な状態であれば再使用してください。エレメントが損傷していたり、3回以上クリーニングを行っている場合は、新品と交換してください。ポンプ性能が著しく低下している場合、エレメントを点検してください。部品については、図10を参照してください。

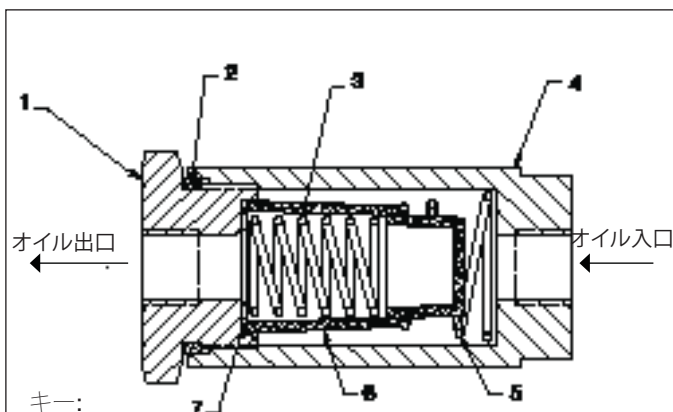


注: 詳細については、[www.camozzi.com](http://www.camozzi.com) を閲覧してください。

キー:

1. 自動水抜きボウルアセンブリ(Camozzi 部品番号C238-F11/3)
2. バッフル/エレメントアセンブリ(Camozzi 部品番号60W3302-0035)
3. フィルタエレメント、25ミクロン(Camozzi 部品番号70-3302-0034)
4. Oリング
5. ハウジングアセンブリ
6. 自動水抜き(部品 # 1 に付属)

図9、エアフィルタボウルの詳細



キー:

1. エンドキャップ
2. Oリング
3. スプリング
4. ハウジング
5. スプリング
6. エレメント、90ミクロン(Arrow部品番号EK9052V-90)
7. ガスケット

注: 詳細については、[www.arrowpneumatics.com](http://www.arrowpneumatics.com) を閲覧してください。

図10、油圧フィルタの詳細



## 8.0 トラブルシューティング

ポンプまたはシステム部品の整備は、必ず資格を持った油圧技術者が行ってください。システムの故障が必ずしもポンプの不調原因とは限りません。問題の原因を特定するには、あらゆる診断手順でシステム全体を点検する必要があります。

以下のトラブルシューティングチャートは、問題がある場合に原因を特定する役割りを果たします。修理サービスについては、最寄りのEnerpac正規サービスセンターにお問い合わせください。

故障トラブル	考えられる原因	対策
ポンプがサイクル運転しない。	空気圧が供給されない	空気圧を点検してください。
	ポンプの空気閉止弁が閉じられている。	ポンプの空気閉止弁を開いてください。
	ポンプの空気圧レギュレータの設定が低すぎる。	圧力レギュレータの設定を点検してください。
	ポンプのエアフィルタが汚れている。	エアフィルタエレメントを交換してください。
	ポンプのエアモーターが摩損または故障している。	Enerpac正規サービスセンターにお問い合わせください。
	Pポンプエレメントが詰まる。	Enerpac正規サービスセンターにお問い合わせください。
ポンプが油圧を立ち上げないまたは圧力は立ち上がるが目的値よりも低い。	空気供給の空気圧が低いまたは空気量が少ない。	空気圧を点検してください。
	ポンプの空気圧レギュレータの設定が低すぎる。	レギュレータの設定を点検してください。
	ポンプのエアフィルタが汚れている。	エアフィルタエレメントを交換してください。
	ポンプのタンク還流弁が開いているか完全に閉じていない。	タンク還流弁を閉じます。
	タンクのオイルレベルが低い。	オイルレベルを点検してください。必要に応じて、オイルを補充してください。
	ポンプの油圧フィルタが汚れている。	油圧フィルタエレメントをクリーニングまたは交換してください。
	油圧ホース、継手または工具からのオイル漏れ。	必要に応じて、漏れている部品を交換してください。
	ポンプのタンク還流弁が漏れている。	タンク還流弁を交換します。
	ポンプのエアモーターが摩損または故障している。	Enerpac正規サービスセンターにお問い合わせください。
	ポンプエレメント/エアモータの内部漏れ。	Enerpac正規サービスセンターにお問い合わせください。
ンブ作動が不規則または不安定。	空気供給の空気圧が低いまたは空気量が少ない。	空気圧を点検してください。
	ポンプがプライミングされていないまたは油圧ラインに空気が混入している。	セクション4.4の指示に従って、ポンプのプライミングを行ってください。
	油圧オイルが汚れている。	油圧オイルを交換してください。必ずEnerpac HFオイルを使用してください。油圧フィルタエレメントをクリーニングまたは交換してください。
	ポンプエレメントが摩損または損傷している。	Enerpac正規サービスセンターにお問い合わせください。
ポンプからの排気に過剰な水分が含まれている。	供給空気中に過剰な水分/潤滑剤が含まれている。	空気中の水分を減らしてください。水分離器を取り付けてください。  注: ポンプ構成部品は自動潤滑式です。空気を潤滑する必要はありません。
	水抜きには、ポンプのエアフィルタボウルが必要です。	ボウルに溜まっている水を点検してください。必要に応じて水抜きしてください。
	ポンプのエアフィルタが汚れている。	エアフィルタエレメントを交換してください。
	ンブエレメント/エアモータの内部漏れ。	Enerpac正規サービスセンターにお問い合わせください。

L2743 Rev. A 06/10

**1.0 ВАЖНЫЕ УКАЗАНИЯ ПРИ ПОЛУЧЕНИИ  
ИЗДЕЛИЯ**

Визуально осмотрите все компоненты на предмет повреждения при доставке. На повреждения, полученные при доставке, гарантия не распространяется. Если таковое обнаружится, немедленно известите об этом транспортную компанию. Транспортная фирма несет ответственность по стоимости за весь ремонт и замену товара, поврежденного при транспортировке.

**2.0 БЕЗОПАСНОСТЬ****2.1 ВОПРОСЫ БЕЗОПАСНОСТИ**

Вопросы безопасности Внимательно прочитайте все инструкции, предупреждения и предостережения. Следуйте всем мерам безопасности во избежание травм или повреждения имущества во время работы. Енеграс не может нести ответственность за повреждение имущества или травмы, происшедшие в результате не соблюдения требований безопасности при эксплуатации изделий, недостаточного технического обслуживания или неправильного применения оборудования. Если имеются сомнения, касающиеся вопросов безопасности или применения оборудования, обращайтесь в компанию Енеграс. Если вы никогда не проходили обучение правилам техники безопасности при работе с гидравлическим оборудованием высокого давления, обратитесь к дистрибьютору или сервисный центр компании Енеграс, чтобы пройти такое обучение бесплатно.

Несоблюдение требований следующих предостережений и предупреждений может привести к травмам персонала и повреждению оборудования.

Надпись «**ОСТОРОЖНО!**» используется для указания на правильные методы работы или выполнения технического обслуживания, чтобы избежать повреждения или разрушения оборудования или другого имущества.

Надпись «**ПРЕДУПРЕЖДЕНИЕ**» указывает на возможную опасность, требующую точного соблюдения правил эксплуатации и техники безопасности для избежания травмы.

Надпись «**ОПАСНО!**» используется только тогда, когда ваши действия или бездействие могут привести к получению тяжелой травмы или даже смерти.



**ПРЕДУПРЕЖДЕНИЕ.** При работе с гидравлическим оборудованием носите специальные средства индивидуальной защиты.



**ОПАСНО!** Не устанавливайте предохранительный клапан на давление, превышающее максимальное давление насоса. Установка более высоких параметров может привести к повреждению оборудования и/или к получению травмы. Не снимайте предохранительный клапан.



**ПРЕДУПРЕЖДЕНИЕ.** Рабочее давление системы не должно превышать номинальное давление компонента системы, имеющего минимальное номинальное давление. Для контроля рабочего давления установите в системе манометры. Это ваше окно, через которое Вы видите, что происходит в системе.



**ВНИМАНИЕ!** Не допускайте повреждения гидравлического шланга. При прокладке гидравлических шлангов не допускайте изгибов под острым углом и петель. Использование изогнутого или петлеобразного шланга приведет к значительному противодействию. Изгибы под острым углом и петли приводят к повреждению внутренней поверхности шланга и преждевременному выходу его из строя



Не допускайте падения на шланг тяжелых предметов. Сильные удары могут привести к повреждению внутренних проволочных жил шланга. Подача давления в поврежденный шланг может привести к его разрыву.



**ЭТО ВАЖНО!** Не поднимайте гидравлическое оборудование за шланги или вертлюжные соединения. Пользуйтесь рукоятками, предназначенными для переноски, или специальными приспособлениями.



**ВНИМАНИЕ!** Не допускайте воздействия на гидравлическое оборудование пламени и тепла. Чрезмерный нагрев приведет к размягчению сальников и уплотнений и последующим утечкам жидкости. Кроме того, при нагреве материал шлангов и сальники становятся менее прочными. Для обеспечения оптимального режима работы не допускайте нагрева оборудования до температуры 65 °C (150 °F) и выше. Предохраняйте шланги и цилиндры от брызг металла при сварке.



**ОПАСНО!** Не перемещайте шланги, находящиеся под давлением. Масло, вытекающее под давлением, может прорвать кожу и привести к тяжелым травмам. Если под кожу попало масло, немедленно обратитесь к врачу.



**ЭТО ВАЖНО!** Обслуживание гидравлического оборудования должно выполняться только квалифицированным специалистом по гидравлике. Для выполнения ремонта обратитесь в сервисный центр ENERPAC. Чтобы сохранить гарантию, пользуйтесь только маслом Енеграс право.



**ПРЕДУПРЕЖДЕНИЕ.** Изношенные или поврежденные части должны немедленно заменяться частями от компании-изготовителя ENERPAC. Запасные части других изготовителей могут выйти из строя, нанося травмы и повреждая имущество. Оригинальные части от компании Енеграс подходят друг к другу и выдерживают большие нагрузки.

## 2.2 Правила техники безопасности АТР-1500

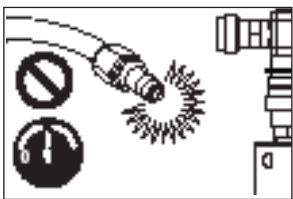


**Внимание!** Несоблюдение нижеследующих правил может привести к повреждению оборудования и получению телесных травм.

- При работе с насосом обязательно надевайте защитные очки, перчатки и обувь.
- При неправильном использовании гидравлическое оборудование высокого давления может быть чрезвычайно опасным. Остерегайтесь утечек масла под высоким давлением. Выбрасываемая из оборудования под высоким давлением жидкость обладает достаточной энергией, чтобы проникнуть под кожу и вызвать заражение крови. В этом случае **НЕМЕДЛЕННО** обратитесь за медицинской помощью.
- Никогда не пытайтесь разъединить гидравлическое соединение, находящееся под давлением.
- Никогда не пытайтесь устранять утечки в системе, находящейся под давлением. Перед выполнением любых ремонтных работ убедитесь в том, что манометр показывает [0] фунтов на кв. дюйм/бар.

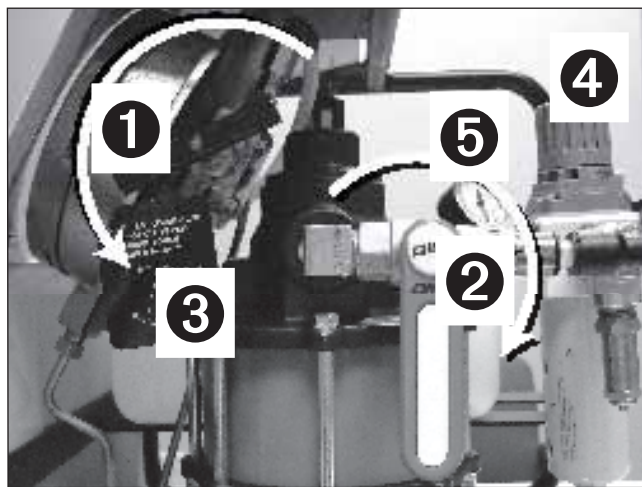


- Никогда не создавайте давление в отсоединённой части «папе» быстроразъёмного соединения. Выход из строя находящегося под давлением этого штуцера может причинить тяжелые телесные повреждения.



- Создавая давление в системе, принимайте соответствующие меры предосторожности. Давление может расти быстрее, чем предполагается. При создании давления постоянно контролируйте его по манометру. Будьте готовы в любой момент прекратить повышение давления.

- Перед работой потяните с усилием быстроразъёмные соединения, чтобы убедиться в их надежности.
- К работе с насосом допускайте только обученный и опытный персонал. Примите особые меры к недопущению случайного включения насоса.
- Никогда не оставляйте без надзора насос, находящийся под давлением. При необходимости отлучиться, закройте клапан-отсекатель пневмосистемы и полностью откройте предохранительный клапан насоса (клапан возврата в бак). Рукоятку регулятора давления воздуха поверните против часовой стрелки до нулевого ([0] фунтов на кв. дюйм/ бар) показания манометра пневмосистемы.
- Никогда не превышайте допустимое рабочее давление для гидравлических шлангов, инструментов и насоса. Для насоса АТР-1500 максимально допустимое рабочее давление (гидравлическое) составляет 1500 бар (21755 фунтов на кв. дюйм).



Key:

❶ ОТКРЫТ

❷ ЗАКРЫТ

❸ Клапан возврата в бак

❹ Регулятор давления воздуха

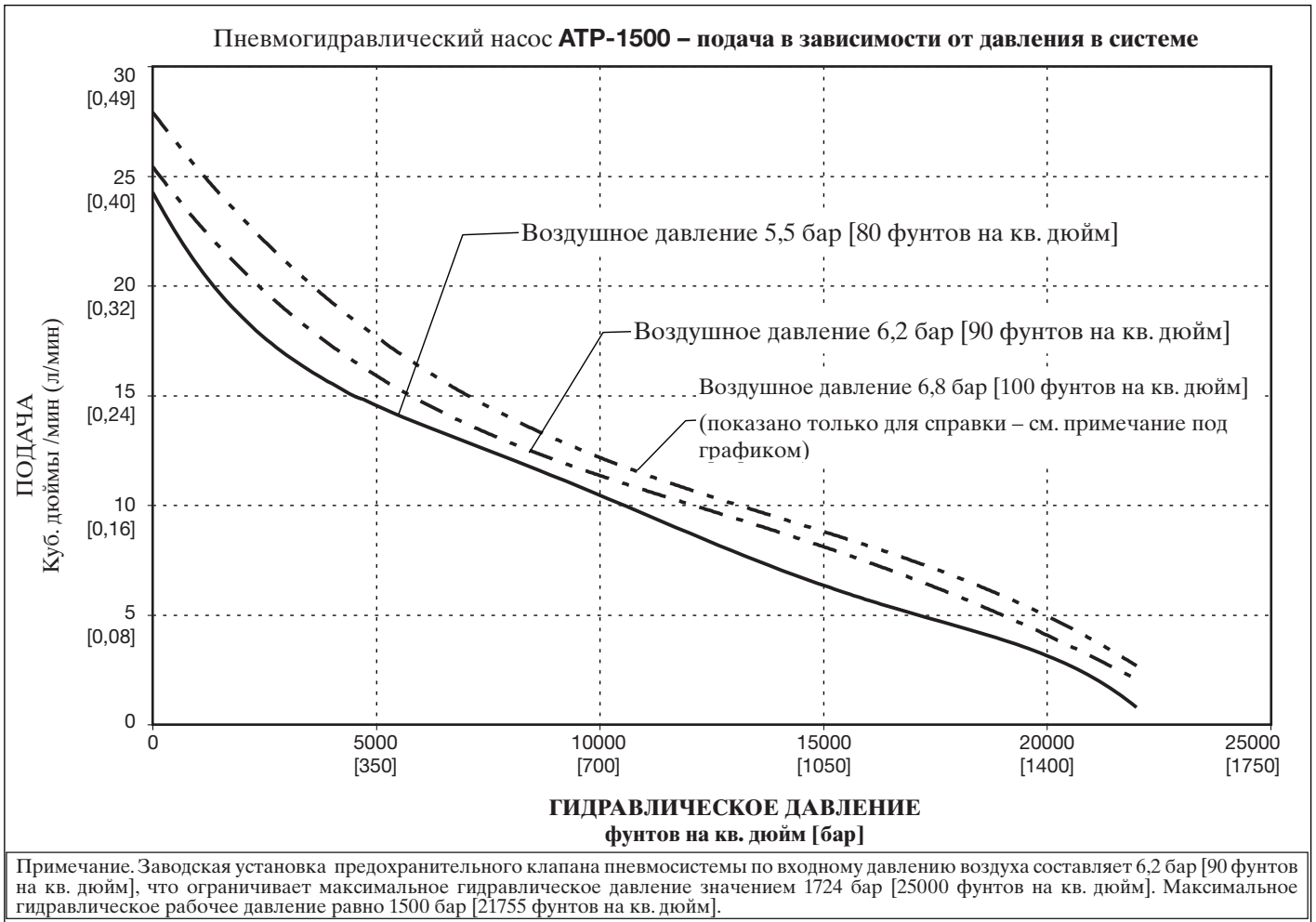
❺ Клапан-отсекатель пневмосистемы

Рисунок 1 – положения рукояток клапанов перед подсоединением источника сжатого воздуха.

- Перед подсоединением источника сжатого воздуха убедитесь в том, что клапан-отсекатель включения-выключения пневмосистемы закрыт (т. е., его рукоятка находится в вертикальном положении), а клапан возврата масла в бак – открыт. См. рисунок 1.
- Подсоединив источник сжатого воздуха, проверьте показание манометра пневмосистемы. В случае индикации любого давления, поверните рукоятку регулятора давления воздуха против часовой стрелки до нулевого ([0] фунтов на кв. дюйм/ бар) показания манометра.
- Подъем воздушного давления в насосе всегда начинайте с [0] фунтов на кв. дюйм/бар. МЕДЛЕННО (чтобы предотвратить внезапное и непредвиденное повышение гидравлического давления) поверните рукоятку регулятора воздушного давления.
- По достижению требуемого гидравлического давления обязательно закройте клапан-отсекатель пневмосистемы, поверните рукоятку регулятора давления воздуха против часовой стрелки до нулевого ([0] фунтов на кв. дюйм/ бар) показания манометра пневмосистемы.
- Прежде чем оставить систему без надзора, обязательно сбросьте из нее давление.

### 3.0 СПЕЦИФИКАЦИИ

#### 3.1 Эксплуатационные характеристики

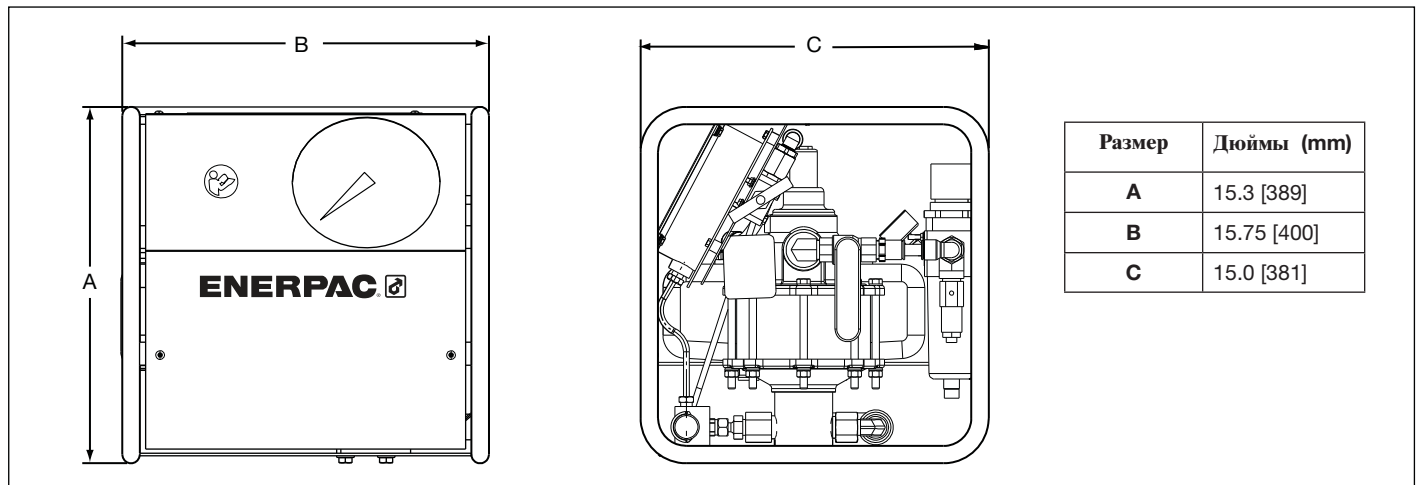


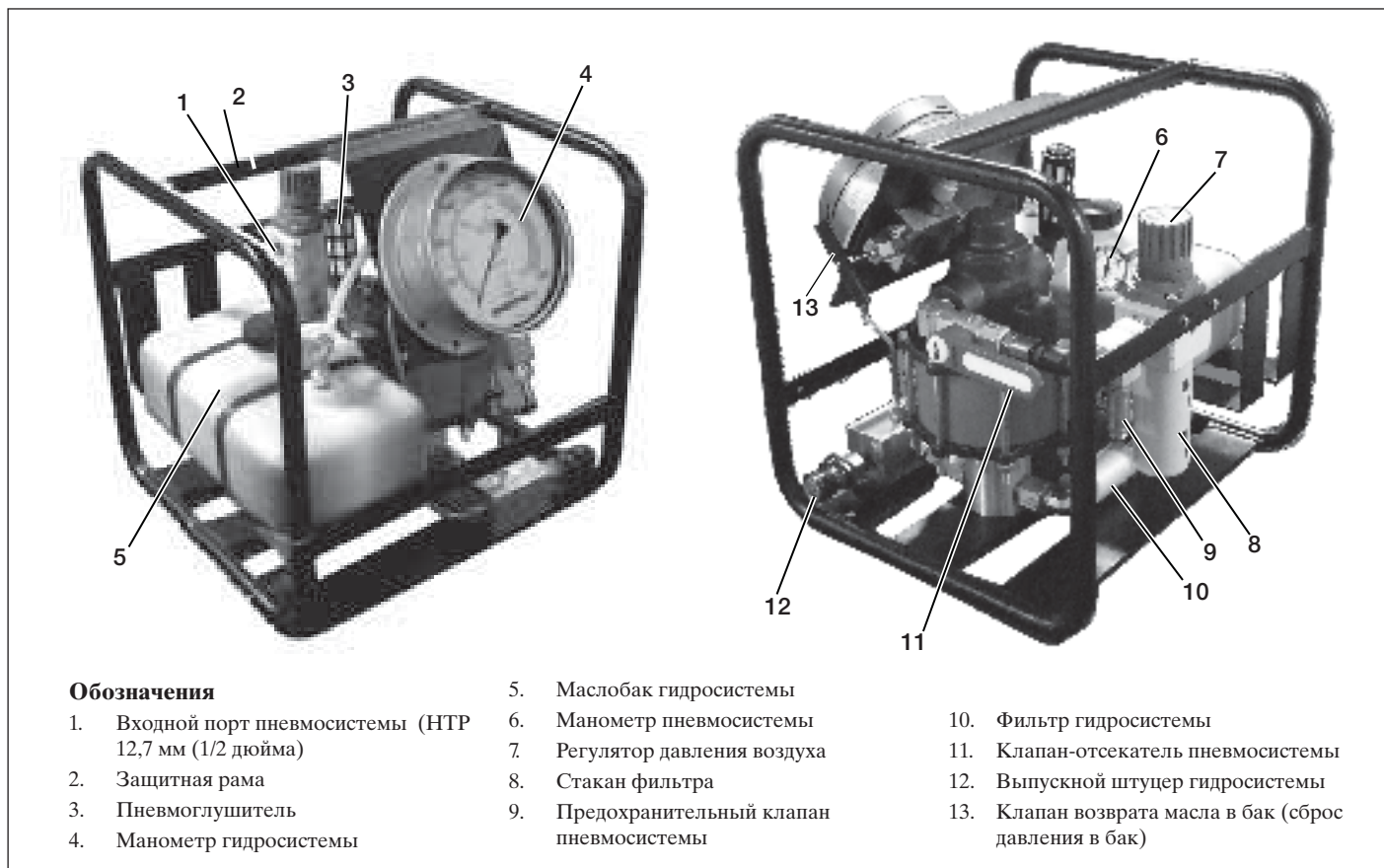
#### 3.2 Технические характеристики

Диапазон температур	Диапазон вязкости масла	Тип гидравлического масла (рекомендуемый)	Материалы уплотнений	Макс. гидр. давление (рабочее)	Уровень шума	Расход воздуха* (стандартный)	Вес (включая масло)
-20 to +140°F [-29 to +50°C]	150 -165 S.U.S. [15 - 25 C.S.T.]	Енерпас HF	Буна и вайтон.	21,755 psi [1500 bar]	70 dBA Max.	21 SCFM [113 L/Min]	54 lbs. [32 Kg]

\*Фактический расход воздуха зависит от выполняемой работы. Дополнительные сведения см. в разделе 4.3.

#### 3.3 Габаритные размеры





**Рисунок 2 – детали и узлы насоса (защитные приспособления и крышки сняты только в целях иллюстрации).**

#### 4.0 НАЛАДКА НАСОСА

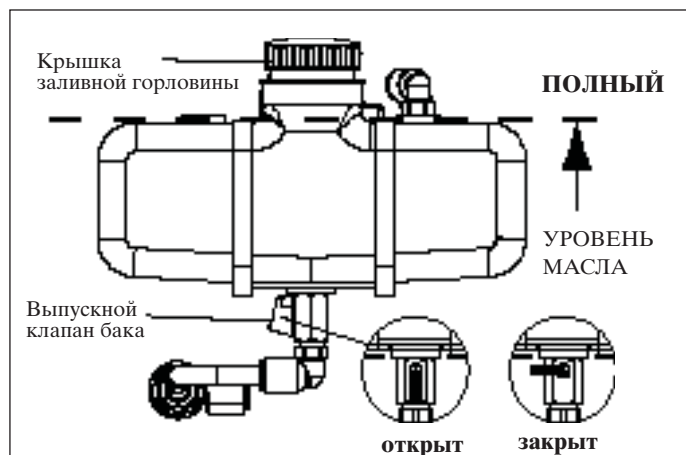
##### 4.1 Маслобак

Перед пуском насоса проверьте уровень масла в нем. Перед проверкой уровня масла:

- клапан-отсекатель пневмосистемы должен быть **ЗАКРЫТ**, а клапан возврата масла в бак – **ОТКРЫТ**. См. рисунок 1.
- манометры гидравлической и пневматической систем насоса должны показывать [0] фунтов на кв. дюйм/бар.

Бак **ПОЛОН**, если уровень масла находится вверху бака (см. рисунок 3). Емкость масляного бака составляет примерно 3,8 л [1 американский галлон]. Используйте масло Eneparc типа HF.

**ВАЖНАЯ ИНФОРМАЦИЯ.** При доливке масла все компоненты системы должны быть полностью втянуты, в противном случае объем масла, содержащийся в системе, будет превышать вместимость маслобака.



**Рисунок 3, Маслобак гидросистемы**

##### 4.2 Соединительные узлы пневматической и гидравлической систем



**ПРЕДУПРЕЖДЕНИЕ.** Перед подсоединением источника сжатого воздуха убедитесь в том, что клапан-отсекатель включения-выключения пневмосистемы закрыт (т. е., его рукоятка находится в вертикальном положении), а клапан возврата масла в бак – открыт. См. рисунок 1. Кроме того, регулятор воздушного давления должен быть полностью закрыт (выключен); при этом воздушный манометр насоса должен показывать [0] фунтов на кв. дюйм/бар.

Выполните следующие соединения:

- Пневматический входной канал насоса расположен на регуляторе воздушного давления. Стандартное соединение с НТР 12,7 мм (1/2 дюйма).
- Гидравлический выходной канал насоса выполнен в виде соединения диаметром 6,35 мм (1/4 дюйма) с внутренней британской трубной цилиндрической резьбой (BSPP). На насосах, используемых в болтовых системах, в BSPP-соединении обычно устанавливается охватывающая часть ("мама") быстроразъемного соединителя.

##### 4.3 Расход воздуха

При давлении на выходе гидросистемы, равном 6,8 бар [100 фунтов на кв. дюйм], насос расходует около 594 литров атмосферного воздуха (21 стандартный кубический фут) в минуту. При более низких значениях воздушного и более высоких значениях гидравлического давления, расход воздуха будет пропорционально уменьшаться относительно указанных значений.

**ВАЖНАЯ ИНФОРМАЦИЯ.** Статическое давление подачи воздуха в насос не должно превышать 6,2 бар [90 фунтов на кв. дюйм].



**ПРЕДУПРЕЖДЕНИЕ.** Заводская уставка предохранительного клапана пневмосистемы составляет 6,2 бар [90 фунтов на кв. дюйм]. С целью предотвращения телесных травм и повреждения оборудования не пытайтесь увеличивать значение уставки предохранительного клапана.

Используйте только сухой и отфильтрованный сжатый воздух. Настоятельно рекомендуется использовать водоотделитель.

Внутренние компоненты насоса смазываются автоматически. Смазываемый воздух НЕ требуется.

#### 4.4 Прокачка насоса (стравливание воздуха)

**ВАЖНАЯ ИНФОРМАЦИЯ. ПЕРЕД** первым пуском новый насос **НЕОБХОДИМО** прокачать.

Процедура прокачки поэтапно описана ниже. См. рисунки с 4 по 7.

1. Маслобак должен быть заполнен соответствующим маслом; выпускной клапан маслобака должен быть открыт. См. раздел 4.1.
2. Клапан-отсекатель пневмосистемы должен быть **ЗАКРЫТ**, а клапан возврата масла в бак – открыт.
3. Для обеспечения вентиляции отверните крышку заливной горловины маслобака на половину оборота. Вентиляция необходима для нормальной работы.

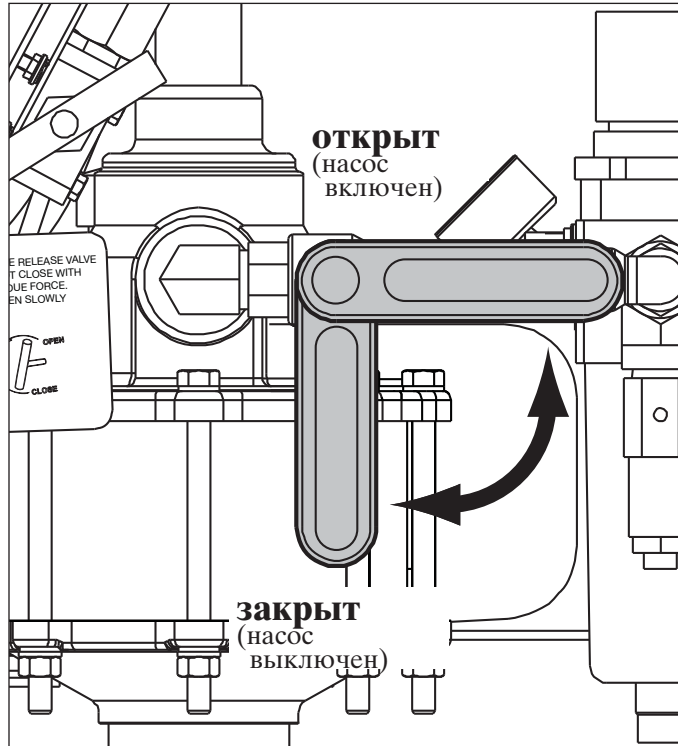


Рисунок 4 – клапан-отсекатель пневмосистемы

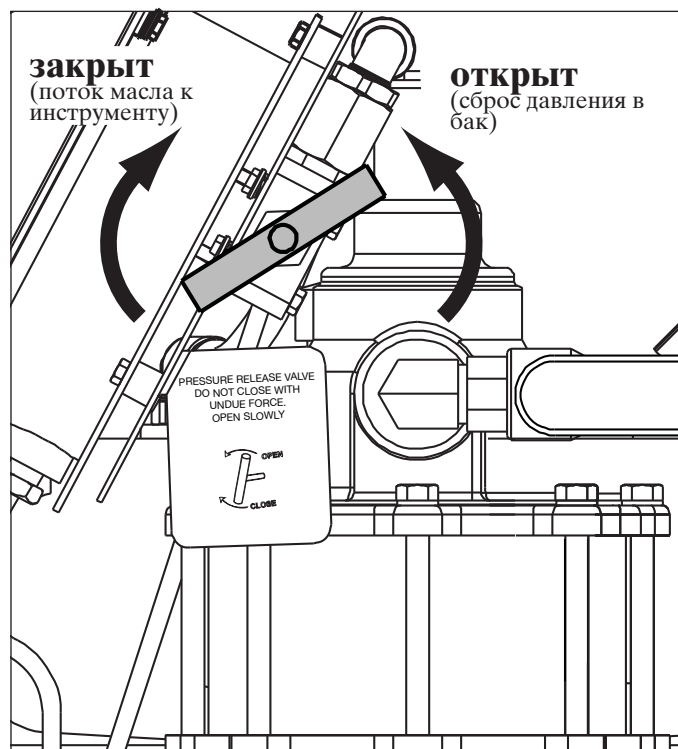


Рисунок 5 – клапан возврата масла в бак

4. Подсоедините шланг подачи воздуха к входному каналу пневмосистемы насоса.
5. Продолжая удерживать клапан-отсекатель пневмосистемы **ЗАКРЫТЫМ**, включите подачу воздуха и проверьте показание манометра пневмосистемы. В случае индикации любого давления, поверните рукоятку регулятора давления воздуха против часовой стрелки до нулевого ([0] фунтов на кв. дюйм/ бар) показания манометра.



Рисунок 6 – манометр и регулятор давления пневмосистемы

6. Подсоедините один конец гидравлического шланга длиной 1 м [3 фута] к выходному каналу гидросистемы насоса.
7. На второй конец шланга установите сквозной быстроразъемный фитинг.
8. Отверните крышку заливной горловины бака. Вставьте в бак конец шланга со сквозным фитингом. Это позволит возвращать масло в бак в процессе прокачки.
9. Закройте клапан возврата масла в бак. Установите клапан-отсекатель пневмосистемы в **ОТКРЫТОЕ** положение.
10. Для пуска насоса регулятором воздушного давления **МЕДЛЕННО** поднимите давление воздуха от 0 бар (фунтов на кв. дюйм) до 0,68 - 1,0 бар (10-15 фунтов на кв. дюйм).
11. Убедитесь в том, что масло возвращается в бак по шлангу. Повысьте давление до 2,75 бар [40 фунтов на кв. дюйм] и дождитесь полной очистки системы от воздуха (в обратном потоке масла должны отсутствовать пузырьки).
12. Установите клапан-отсекатель пневмосистемы в **ЗАКРЫТОЕ** положение. Насос остановится.
13. Рукоятку регулятора давления воздуха поверните против часовой стрелки до нулевого ([0] фунтов на кв. дюйм/ бар) показания манометра.
14. Откройте клапан возврата масла в бак, чтобы полностью стравить давление из гидросистемы. Убедитесь в том, что манометр гидросистемы показывает [0] фунтов на кв. дюйм/ бар.

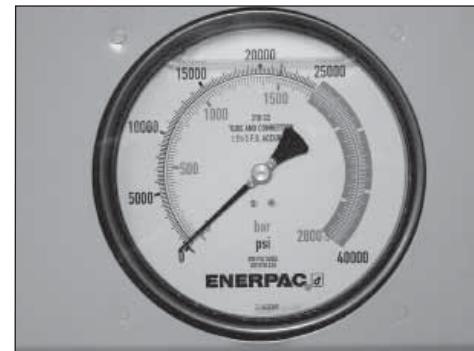


Figure 7, Hydraulic Pressure Gauge

15. Извлеките из бака возвратный шланг. Заверните крышку заливной горловины бака.
16. Отсоедините возвратный шланг от выходного канала гидросистемы насоса.

## 5.0 ЭКСПЛУАТАЦИЯ НАСОСА

Правила эксплуатации насоса см. в разделах 5.1 - 5.4. См. рисунки с 4 по 7

**ВАЖНАЯ ИНФОРМАЦИЯ.** Перед использованием новый насос необходимо прокачать. См. раздел 4.4.

### 5.1 Перед созданием давления в насосе

1. Клапан-отсекатель пневмосистемы должен быть **ЗАКРЫТ**, а клапан возврата масла в бак – **открыт**.
2. Подготовьте насос к работе. Проверьте уровень масла и подсоедините необходимые шланги. См. разделы 4.1, 4.2 и 4.3.
3. Продолжая удерживать клапан-отсекатель пневмосистемы **ЗАКРЫТЫМ**, включите подачу воздуха и проверьте показание манометра пневмосистемы. В случае индикации любого давления, поверните рукоятку регулятора давления воздуха против часовой стрелки до нулевого ([0] фунтов на кв. дюйм/ бар) показания манометра.
4. Для обеспечения вентиляции отверните крышку заливной горловины маслобака на половину оборота. Вентиляция необходима для нормальной работы.

### 5.2 Создание давления в насосе

1. Закройте клапан возврата масла в бак.

**ВАЖНАЯ ИНФОРМАЦИЯ.** Нажатием только руки, закройте клапан возврата масла в бак. Использование инструментов может привести к повреждению клапана и/или его седла.

2. Установите клапан-отсекатель пневмосистемы в **ОТКРЫТОЕ** положение.
3. **МЕДЛЕННО** повышайте давление воздуха (поворачивая рукоятку регулятора давления воздуха), пока насос не включится и не начнет создаваться давление в гидросистеме.



**ПРЕДОСТЕРЕЖЕНИЕ.** В процессе работы насоса постоянно следите за показанием манометра гидросистемы. Давление может расти быстрее, чем предполагается. Будьте готовы немедленно, при достижении требуемого давления в гидросистеме, закрыть клапан-отсекатель пневмосистемы.

**ВАЖНАЯ ИНФОРМАЦИЯ.** Время, необходимое для создания в гидросистеме необходимого давления, зависит от количества и типа подсоединенных инструментов, доступного объема воздуха, длины гидравлических шлангов и других факторов.

4. Когда манометр гидросистемы покажет требуемое давление, прекратите поворачивать рукоятку регулятора давления воздуха и установите клапан-отсекатель пневмосистемы в **ЗАКРЫТОЕ** положение. Насос остановится.
5. Поверните рукоятку регулятора давления воздуха против часовой стрелки до нулевого [0] фунтов на кв. дюйм/ бар показания манометра пневмосистемы.

### 5.3 Сброс давления из насоса

1. Клапан-отсекатель пневмосистемы должен находиться в **ЗАКРЫТОМ** положении.
2. **МЕДЛЕННО** откройте клапан возврата масла в бак, чтобы стравить давление из гидросистемы. Убедитесь в том, что манометр гидросистемы показывает [0] фунтов на кв. дюйм/ бар.

### 5.4 Остановка и отсоединение насоса

1. Убедитесь в том, что клапан-отсекатель пневмосистемы находится в **ЗАКРЫТОМ** положении. Поверните рукоятку регулятора давления воздуха против часовой стрелки до нулевого [0] фунтов на кв. дюйм/ бар показания манометра пневмосистемы.
2. **МЕДЛЕННО** откройте клапан возврата масла в бак (если он закрыт), чтобы полностью стравить давление из гидросистемы. Убедитесь в том, что манометр гидросистемы показывает [0] фунтов на кв. дюйм/ бар.
3. Отсоедините шланг подачи воздуха от входного канала пневмосистемы насоса.
4. Отсоедините питающий шланг от выходного канала гидросистемы насоса.

5. Полностью закройте крышку заливной горловины бака.

**ВАЖНАЯ ИНФОРМАЦИЯ.** Крышка заливной горловины маслобака должна быть полностью закрыта с целью предотвращения загрязнения системы.

6. Правила хранения насоса см. в разделе 6.0.

## 6.0 ХРАНЕНИЕ

- Клапан возврата масла в бак должен находиться в **ОТКРЫТОМ** положении.
- Крышка заливной горловины маслобака должна быть полностью закрыта.
- Снимите стакан фильтра. Слейте воду и удалите все загрязнения. Установите стакан на место.
- Храните насос в вертикальном положении, в чистом и сухом месте.
- Установите пылезащитные крышки на выпускной канал гидросистемы и на впускной канал пневмосистемы.
- В случае длительного хранения насоса нанесите на все его неокрашенные металлические элементы соответствующий ингибитор ржавчины.

## 7.0 ТЕХНИЧЕСКОЕ ОБСЛУЖИВАНИЕ

Обслуживаемые элементы насоса показаны на рисунке 8.

**ВАЖНАЯ ИНФОРМАЦИЯ.** Примите все меры против проникновения грязи и песка в насос и трубопроводы гидросистемы. Инородные частицы в системе могут вывести насос из строя или повредить его детали. На такие повреждения гарантийные обязательства не распространяются.

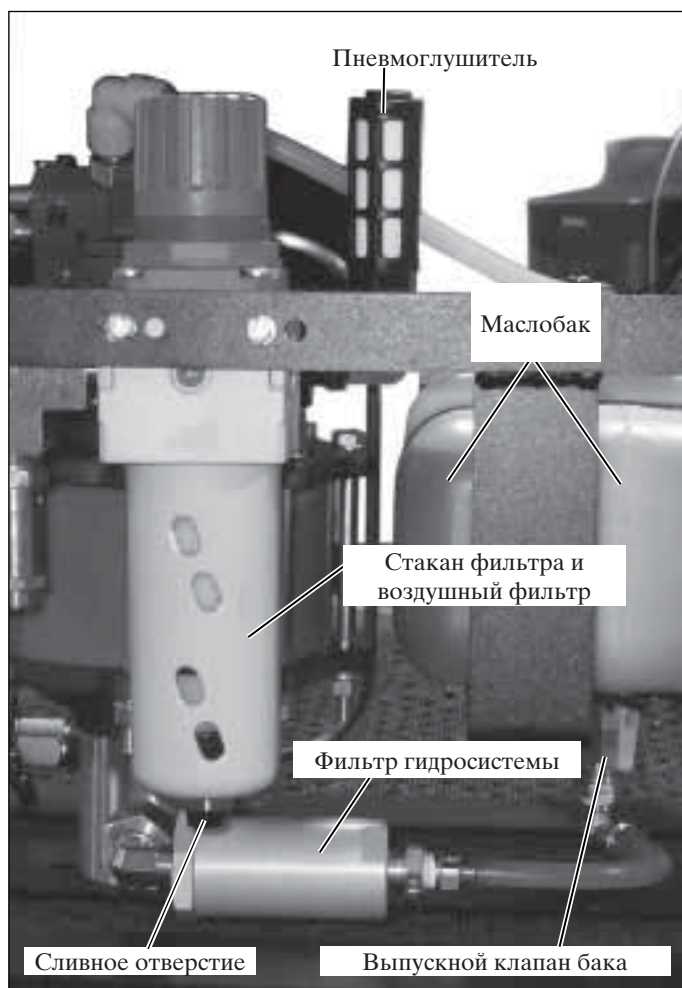


Рисунок 8 - обслуживаемые элементы насоса



**ПРЕДУПРЕЖДЕНИЕ.** Перед началом любых работ по обслуживанию или ремонту убедитесь в том, что клапан возврата масла в бак открыт, а клапан-отсекатель пневмосистемы – закрыт. Обязательно отсоедините от насоса пневматическую и гидравлическую магистрали. Убедитесь в том, что манометры показывают [0] фунтов на кв. дюйм/ бар.

### 7.1 Воздушный фильтр

В случае видимого загрязнения или заметного падения воздушного давления – замените фильтрующий элемент воздушного фильтра. Схему компоновки см. на рисунке 9.

### 7.2 Сливной канал стакана фильтра

Слив из стакана фильтра происходит автоматически, когда уровень воды поднимается приблизительно на 1/3 высоты стакана. Для автоматического слива давление в стакане должно составлять не менее 1,5 бар [22 фунта на кв. дюйм]. При необходимости, к сливному каналу стакана можно подсоединить сливной шланг с BSPP-фитингом (предоставляется пользователем) диаметром 3,175 мм (1/8 дюйма).

Если функция автоматического слива не работает, следует заменить весь стакан в сборе. Схему компоновки см. на рисунке 9.

**ВАЖНАЯ ИНФОРМАЦИЯ.** Чтобы предотвратить повреждение механизма автоматического слива, не пытайтесь отвернуть гайку сливного канала. В стакане фильтра нет ручного сливного клапана. Для слива вручную отключите подачу воздуха, снимите стакан фильтра и слейте из него накопившуюся воду.

### 7.3 Пневмоглушитель

Периодически осматривайте пневмоглушитель. Грязь и следы масла удаляйте тряпкой. В случае засорения пневмоглушителя, либо в случае заметного усиления шума насоса, замените пневмоглушитель. Местоположение см. на рисунке 8.

### 7.4 Замена масла

Масло Enegras HF имеет чистый синий цвет. Чистоту масла необходимо проверять часто, сравнения цвет масла в насосе с цветом свежего масла Enegras. Как правило, полностью сливайте и очищайте маслобак каждые 250 часов, а в условиях сильного загрязнения – и более часто.

Процедура замены масла поэтапно описана ниже. См. рисунок 8.

1. Закройте выпускной клапан бака.
2. Отсоедините масляный шланг от фильтра гидросистемы. Под открытый конец шланга поместите подходящую емкость.
3. Откройте выпускной клапан маслобака. Дождитесь полного слива масла в подставленную емкость. Утилизируйте отработанное масло в соответствии с действующим законодательством.
4. Разберите фильтр гидросистемы. Очистите и установите на место (либо замените новым) фильтрующий элемент фильтра гидросистемы. Дополнительные сведения см. в разделе
5. Подсоедините масляный шланг к фильтру гидросистемы. Для предотвращения проникновения воздуха или возникновения утечек, плотно затяните соединения.
6. Откройте выпускной клапан бака. Прокачайте насос, как описано в разделе 4.4.

### 7.5 Фильтр гидросистемы

Снимайте и осматривайте фильтрующий элемент фильтра гидросистемы при каждой замене масла. Находящийся в хорошем состоянии элемент можно очистить и использовать повторно. Поврежденный либо

очищавшийся более трех раз элемент должен быть заменен новым. При заметном снижении производительности насоса проверьте фильтрующий элемент. Схему компоновки см. на рисунке 10.

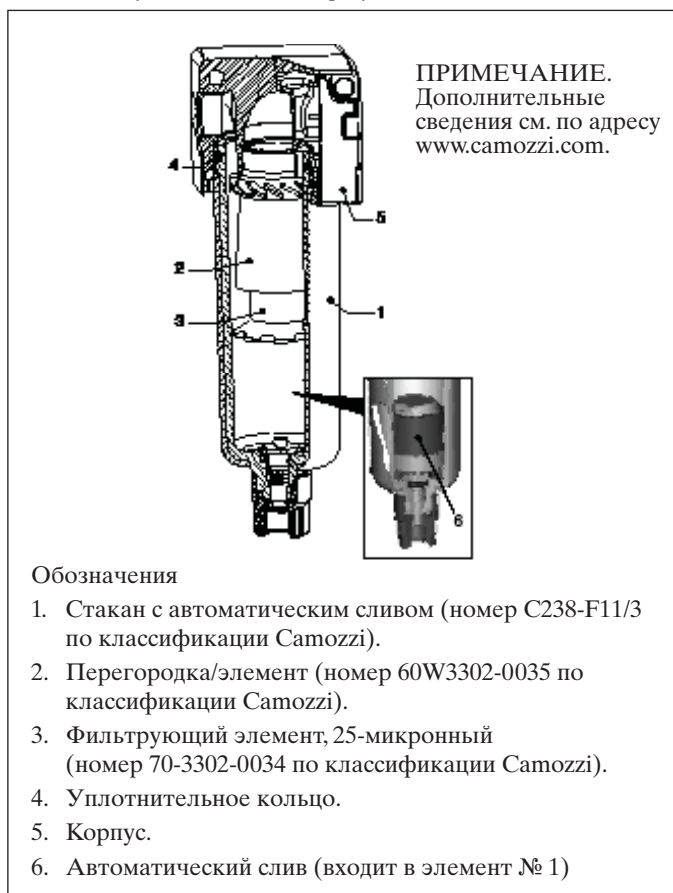


Рисунок 9 – детализация стакана воздушного фильтра

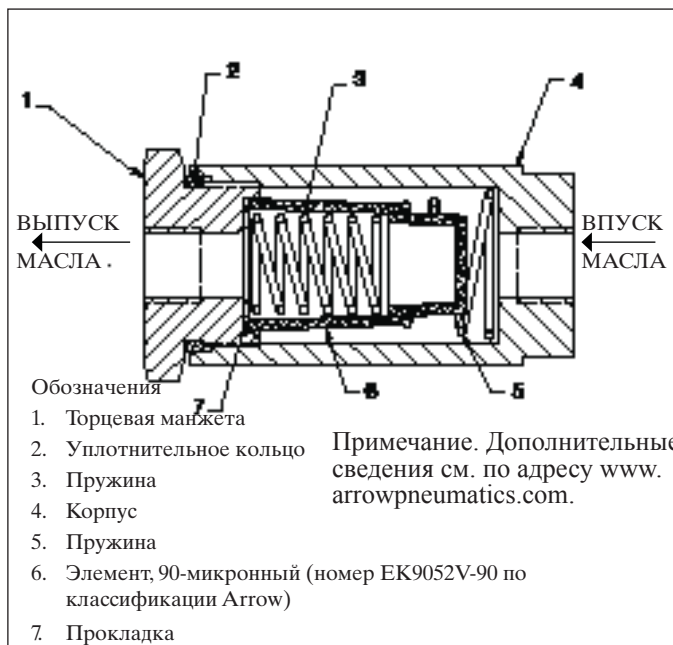


Рисунок 10 – детализация фильтра гидросистемы



## 8.0 ОБНАРУЖЕНИЕ И УСТРАНЕНИЕ НЕИСПРАВНОСТЕЙ

К обслуживанию насоса и компонентов системы допускаются только квалифицированные специалисты гидравлического оборудования. Отказ системы не обязательно порождается неисправностью насоса. Для определения причины неисправности любая диагностическая процедура должна содержать функцию анализа всей системы.

Представленная ниже таблица отыскания и устранения повреждений должна использоваться только в качестве вспомогательного средства для устранения проблемы. Для выполнения ремонта обращайтесь в авторизованный региональный сервисный центр ENERPAC.

Неисправность	Возможная причина	Операция
Отсутствует рабочий цикл насоса.	Нет давления воздуха на входе.	Проверьте подачу воздуха.
	Закрыт клапан-отсекатель пневмосистемы насоса.	Откройте клапан-отсекатель пневмосистемы насоса.
	Низкое значение установки регулятора давления воздуха для пневмосистемы насоса.	Проверьте установку регулятора давления.
	Засорен воздушный фильтр насоса.	Замените фильтрующий элемент воздушного фильтра.
	Изношен или поврежден пневмодвигатель насоса.	Обратитесь в авторизованный сервисный центр ENERPAC.
	Заклинена плунжерная пара насоса.	Обратитесь в авторизованный сервисный центр ENERPAC.
Насос не создает, либо создает недостаточное давление в гидравлической системе.	Низкое давление или недостаточный объем подачи воздуха.	Проверьте подачу воздуха.
	Низкое значение уставки регулятора давления воздуха для пневмосистемы насоса	Проверьте установку регулятора.
	Засорен воздушный фильтр насоса.	Замените фильтрующий элемент воздушного фильтра.
	На насосе открыт или не полностью закрыт клапан возврата масла в бак.	Закройте клапан возврата масла в бак.
	Низкий уровень масла в маслобаке.	Проверьте уровень масла. При необходимости долейте масло.
	Засорен фильтр гидросистемы насоса.	Очистите или замените фильтрующий элемент фильтра гидросистемы.
	Утечка через гидравлические шланги, фитинги или инструменты.	При необходимости замените протекающие элементы.
	Утечка через клапан возврата масла в бак.	Замените клапан возврата масла в бак.
	Изношен или поврежден пневмодвигатель насоса.	Обратитесь в авторизованный сервисный центр ENERPAC.
	Внутренняя утечка через плунжерную пару и/или пневмодвигатель.	Обратитесь в авторизованный сервисный центр ENERPAC.
Прерывистая или неустойчивая работа насоса.	Низкое давление или недостаточный объем подачи воздуха.	Проверьте подачу воздуха.
	Насос не прокачан и/или воздух в гидросистеме.	Прокачайте насос, как описано в разделе 4.4.
	Грязное гидравлическое масло.	Замените гидравлическое масло. Используйте только масло Enegras HF. Очистите или замените фильтрующий элемент фильтра гидросистемы.
	Изношена или повреждена плунжерная пара насоса.	Обратитесь в авторизованный сервисный центр ENERPAC.
Избыточная влага в выхлопе насоса.	Избыток влаги и/или смазки в подаваемом воздухе.	Уменьшите влажность воздуха. Установите водоотделитель. Примечание. Детали насоса смазываются автоматически. Смазываемый воздух не требуется.
	Необходимо слить жидкость из стакана воздушного фильтра насоса.	Проверьте стакан на наличие воды. При необходимости слейте воду.
	Засорен воздушный фильтр насоса.	Замените фильтрующий элемент воздушного фильтра.
	Внутренняя утечка через плунжерную пару и/или пневмодвигатель.	Обратитесь в авторизованный сервисный центр ENERPAC.

## Enerpac Worldwide Locations

◆ e-mail: [info@enerpac.com](mailto:info@enerpac.com)

◆ internet: [www.enerpac.com](http://www.enerpac.com)

### Africa

ENERPAC Middle East FZE  
Office 423, JAFZA 15  
P.O. Box 18004  
Jebel Ali, Dubai  
United Arab Emirates  
Tel: +971 (0)4 8872686  
Fax: +971 (0)4 8872687

### Australia and New Zealand

Actuant Australia Ltd.  
Block V Unit 3  
Regents Park Estate  
391 Park Road  
Regents Park NSW 2143  
(P.O. Box 261) Australia  
Tel: +61 297 438 988  
Fax: +61 297 438 648

### Brazil

Power Packer do Brazil Ltda.  
Rua dos Inocentes, 587  
04764-050 - Sao Paulo (SP)  
Tel: +55 11 5687 2211  
Fax: +55 11 5686 5583  
Toll Free: 0800 891 5770  
[vendasbrasil@enerpac.com](mailto:vendasbrasil@enerpac.com)

### Canada

Actuant Canada Corporation  
6615 Ordan Drive, Unit 14-15  
Mississauga, Ontario L5T 1X2  
Tel: +1 905 564 5749  
Fax: +1 905 564 0305  
Toll Free:  
Tel: +1 800 268 4987  
Fax: +1 800 461 2456  
Technical Inquiries:  
[techservices@enerpac.com](mailto:techservices@enerpac.com)

### China

Actuant Industries Co. Ltd.  
No.76 Nanjing Road,  
Taicang Economic Dep Zone  
Jiangsu, China  
Tel: +86 0512 5328 7529  
+86 0512 5328 7500 7529  
Fax: +86 0512 5335 9690

### Actuant China Ltd. (Peking)

709B Diyang Building  
Xin No. 2, Dong San Huan North Rd.  
Beijing City, 100028 China  
Tel: +86 10 845 36166  
Fax: +86 10 845 36220

### France, Switzerland francophone

ENERPAC  
Une division de ACTUANT France  
S.A.  
ZA de Courtaboeuf  
32, avenue de la Baltique  
91140 VILLEBON /YVETTE  
France  
Tel: +33 1 60 13 68 68  
Fax: +33 1 69 20 37 50

### Germany, Austria, Switzerland, Greece, Baltic States, Central and Eastern Europe

ENERPAC GmbH  
P.O. Box 300113  
D-40401 Düsseldorf  
Willstätterstrasse 13  
D-40549 Düsseldorf Germany  
Tel: +49 211 471 490  
Fax: +49 211 471 49 28

### India

ENERPAC Hydraulics Pvt. Ltd.  
No. 1A, Peenya Industrial Area  
IInd Phase, Bangalore, 560 058  
India  
Tel: +91 80 40 792 777  
Fax: +91 80 40 792 792

### Italy

ENERPAC S.p.A.  
Via Canova 4  
20094 Corsico (Milano)  
Tel: +39 02 4861 111  
Fax: +39 02 4860 1288

### Japan

Applied Power Japan LTD KK  
Besshocho 85-7  
Kita-ku, Saitama-shi 331-0821  
Japan  
Tel: +81 48 662 4911  
Fax: +81 48 662 4955

### Middle East, Turkey and Caspian Sea

ENERPAC Middle East FZE  
Office 423, JAFZA 15  
P.O. Box 18004  
Jebel Ali, Dubai  
United Arab Emirates  
Tel: +971 (0)4 8872686  
Fax: +971 (0)4 8872687

### Russia and CIS

(excl. Caspian Sea Countries)  
Actuant LLC  
Admiral Makarov Street 8  
125212 Moscow  
Russia  
Tel: +7-495-9809091  
Fax: +7-495-9809092

### Singapore

Actuant Asia Pte Ltd.  
37C, Benoi Road Pioneer Lot,  
Singapore 627796  
Tel: +65 68 63 0611  
Fax: +65 64 84 5669  
Toll Free:  
Tel: +1800 363 7722  
Technical Inquiries:  
[techsupport@enerpac.com.sg](mailto:techsupport@enerpac.com.sg)

### South Korea

Actuant Korea Ltd.  
3Ba 717,  
Shihwa Industrial Complex  
Jungwang-Dong, Shihung-Shi,  
Kyunggi-Do  
Republic of Korea 429-450  
Tel: +82 31 434 4506  
Fax: +82 31 434 4507

### Spain and Portugal

ENERPAC SPAIN, S.L.  
Avda. Los Frailes, 40 – Nave C & D  
Pol. Ind. Los Frailes  
28814 DAGANZO DE ARRIBA  
(Madrid) Spain  
Tel: +34 91 661 11 25  
Fax: +34 91 661 47 89

### Sweden, Denmark, Norway, Finland and Iceland

Enerpac Scandinavia AB  
Fabriksgatan 7  
412 50 Gothenburg  
Sweden  
Tel: +46 (0) 31 7990281  
Fax: +46 (0) 31 7990010  
Inquiries:  
[Scandinavianinquiries@enerpac.com](mailto:Scandinavianinquiries@enerpac.com)

### The Netherlands, Belgium and Luxembourg

ENERPAC B.V.  
Galvanistraat 115, 6716 AE Ede  
P.O. Box 8097, 6710 AB Ede  
The Netherlands  
Tel: +31 318 535 800  
Fax: +31 318 525 613  
+31 318 535 848  
Inquiries:  
[beneluxinquiries@enerpac.com](mailto:beneluxinquiries@enerpac.com)

### United Kingdom and Ireland

ENERPAC Ltd.,  
Bentley Road South  
Darlaston, West Midlands  
WS10 8LQ, England  
Tel: +44 (0)121 50 50 787  
Fax: +44 (0)121 50 50 799

### USA, Latin America and Caribbean

ENERPAC  
P.O. Box 3241  
6100 N. Baker Road  
Milwaukee, WI 53209 USA  
Tel: +1 262 781 6600  
Fax: +1 262 783 9562  
User inquiries:  
+1 800 433 2766

Distributor inquiries/orders:  
+1 800 558 0530  
Technical Inquiries:  
[techservices@enerpac.com](mailto:techservices@enerpac.com)

ENERPAC  
704 W. Simonds  
Dallas, TX 75159, USA  
Tel: +1 972 287 2390  
Fax: +1 972 287 4469

073109